

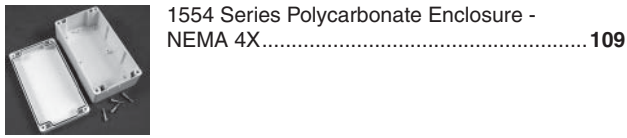
Corrosion Resistant Enclosures

Corrosion Resistant

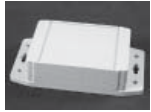
	1414 N4 AL Aluminum Series Enclosures Lift-Off Cover NEMA 4 63		1418 Series Stainless Steel Enclosures Single Door, Continuous Hinge, Clamped Cover NEMA 4X 91
	1590Z Diecast Aluminum Enclosures Watertight, Thick Wall NEMA 4X..... 65		HN4 Series Stainless Steel Two Door Continuous Hinge, 3pt Handle NEMA 4X..... 93
	R100 Diecast Aluminum Enclosures NEMA 4X..... 67		1422 Series Stainless Steel Floor Mount Two Door Enclosures Continuous Hinge, Clamped NEMA 4X..... 95
	1418 Series Aluminum Enclosures Single Door, Continuous Hinge, Clamped Cover NEMA 4 69		1422 Series Stainless Steel Floor Mount Two Door Enclosures Continuous Hinge, Quarter Turn NEMA 4X..... 97
	Eclipse Junior Series Stainless Steel Enclosures Single Door NEMA 4X..... 71		HN4 Series Stainless Steel Floor Mount Two Door Enclosures Continuous Hinge, 3-Point Handle NEMA 4X..... 99
	1414 N4PHSS Series Stainless Steel Enclosures Continuous Hinge, Clamped Cover NEMA 4X..... 73		1418 Series Stainless Steel Freestanding Enclosures Single Door, Clamped NEMA 4X..... 101
	1414 N4SS Stainless Steel Enclosures Lift-Off, Clamped Cover NEMA 4X..... 75		1418 Series Stainless Steel Freestanding Enclosures Single Door, Quarter Turn NEMA 4X..... 103
	Eclipse Series Stainless Steel Enclosures Single Door NEMA 4X..... 77		HN4 Series Stainless Steel Freestanding Enclosures Single Door, 3-Point Handle NEMA 4X..... 105
	Eclipse Series, Stainless Steel Enclosures Single Window Door NEMA 4X..... 81		
	Eclipse Series, Painted Stainless Steel Single Door Enclosures with 3-Point Handle NEMA 4X..... 83		
	Eclipse Sloped Top Series Stainless Steel Enclosures NEMA 4X..... 85		
	Eclipse Series Accessories 87-90		1418 Series Accessories 107-108

Corrosion Resistant Enclosures

Corrosion Resistant



1554 Series Polycarbonate Enclosure -
NEMA 4X..... **109**



1554F Series Polycarbonate Enclosure -
NEMA 4X..... **111**



R130 Series Polyester Modular Enclosures -
NEMA 4X..... **113**



1590ZGRP Series Polyester Modular Enclosures
NEMA 4X..... **115**



PJ Series Polyester Modular Enclosures -
Lift-Off and Hinged Screw Cover
NEMA 4X..... **117**



PJ Series Polyester Modular Enclosures -
Snap & Twist Latch Hinged Cover
NEMA 4X..... **119**



PJ Series Polyester Modular Enclosures -
Lift-Off, Hinged, Snap Latch, Twist Latch,
Window Cover
NEMA 4X..... **121**



PJ Series Polyester Modular Enclosures -
Raised Lift-Off, Hinged Cover,
Solid & Window Door
NEMA 4X..... **123**



PJ Series Polyester Modular Enclosures -
Raised Lid Snap Latch, Hinged Cover,
Solid & Window Door
NEMA 4X..... **125**



PJ Series Polyester Modular Enclosures -
Raised Lid Twist Latch, Hinged Cover,
Solid & Window Door
NEMA 4X..... **127**



PJU Series Polyester Modular Enclosures -
Snap Latch, Hinged Cover, Solid and Window
Door
NEMA 4X..... **129**



PJU Series Polyester Modular Enclosures -
Twist Latch, Hinged Cover, Solid and Window
Door
NEMA 4X..... **131**



PJU Series Polyester Modular Enclosures -
Lift-Off, Solid and Window Door
NEMA 4X..... **133**



PJU Series Polyester Modular Enclosures -
Hinged Screw Cover, Solid and Window Door
NEMA 4X..... **135**

PJU Series Polyester Modular Enclosures -
Enclosure with Viewing Window
NEMA 4X..... **137**

PJ Accessories **138**



PJW Series Polyester Modular Enclosures -
Continuous Hinge Wallmount
NEMA 4X..... **139**



PJFS Series Polyester Modular Enclosures -
Continuous Hinge Freestanding
NEMA 4X..... **141**



PHW Series Polyester Modular Enclosures -
Heavy Duty Wallmount Enclosures
NEMA 4X..... **143**

1414 N4 AL Aluminum Series - NEMA 4

Lift-Off Cover



**Inner
Panel
Included**



Corrosion Resistant Junction Boxes

Application

- Designed for use as instrument enclosures, electric, hydraulic or pneumatic control housings, electrical junction boxes or terminal wiring enclosures.
- Provides protection where equipment may be hosed down or otherwise be very wet, or in specific applications where corrosion is a problem.

Standards

- UL 508 Type 4 and 12
- CSA Type 4 and 12
- **Complies with**
 - NEMA Type 4, 12, and 13
 - IEC 60529, IP66

Construction

- Formed from 0.08" Type 5052 H-32 aluminum.
- Sizes smaller than 6" x 6" are formed from 0.06" aluminum.
- Smooth, continuously welded seams without knockouts, cutouts or holes.
- Welded brackets provide for enclosure mounting.
- Cover is secured with easily operated aluminum clamps.
- Seamless poured-in place gasket.
- All models larger than 4" x 4" include a removable 14 gauge inner panel.
- Tapped studs are provided for mounting inner panels.
- A bonding stud is provided on the door and a grounding stud is provided in the enclosure.

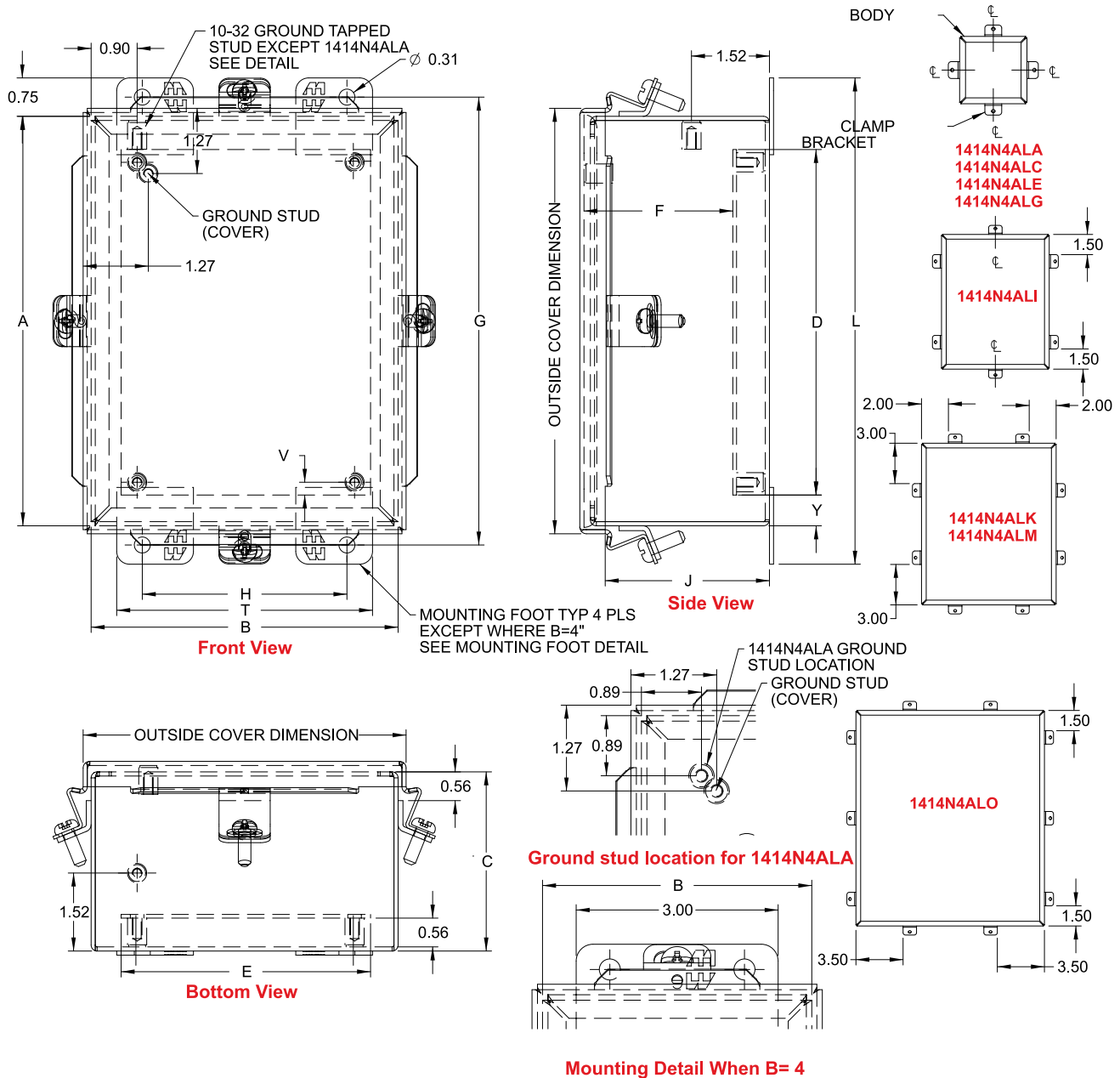
Finish

- Cover and enclosure are natural unfinished aluminum.
- Removable inner panel is finished in white powder coating.

Accessories

- Additional inner panels
...see page **436**
- Breather kits...see page **400-401**
- Door clamping hardware
...see page **429**
- Heaters...see page **393-396**
- Terminal kit assemblies
...see page **441**
- Thermostats...see page **397**
- Window kits...see page **449**

1414 N4 AL Aluminum Series - NEMA 4 Lift-Off Cover



Corrosion Resistant Junction Boxes

Part No.	Panel Dimensions					Centers					Cover Dimensions					Ship Wt.lbs.
	A	B	C	D	E	F	G	H	J	L	T	V	Y			
1414N4ALA	4	4	3.0	—	—	—	4.75	2	2.6	5.5	4.31	4.31	3	—	—	1
1414N4ALC	6	4	3.0	4.88	2.88	2.5	6.75	2	2.6	7.5	6.31	4.31	3	.31	.56	2
1414N4ALE	6	6	4.0	4.88	4.88	3.5	6.75	4	3.6	7.5	6.31	6.31	5	.31	.56	3
1414N4ALG	8	6	3.5	6.75	4.88	3.0	8.75	4	3.1	9.5	8.31	6.31	5	.25	.63	3
1414N4ALI	10	8	4.0	8.75	6.88	3.5	10.75	6	3.6	11.5	10.31	8.31	7	.25	.63	5
1414N4ALK	12	10	5.0	10.75	8.88	4.5	12.75	8	4.6	13.5	12.31	10.31	9	.25	.63	8
1414N4ALM6	14	12	6.0	12.75	10.88	5.5	14.75	10	5.6	15.5	14.31	12.31	11	.25	.63	10
1414N4ALO6	16	14	6.0	14.75	12.88	5.5	16.75	12	5.6	17.5	16.31	14.31	13	.25	.63	13
1414N4ALM8	14	12	8.0	12.75	10.88	7.5	14.75	10	7.6	15.5	14.31	12.31	11	.25	.63	11
1414N4ALO10	16	14	10.0	14.75	12.88	9.5	16.75	12	9.6	17.5	16.31	14.31	13	.25	.63	15

Technical references and CAD downloads available at www.hammondmfg.com

All dimensions in inches unless specified otherwise

Quality Products. Service Excellence.

1590Z Diecast Aluminum Enclosures - NEMA 4X

Watertight, Thick Wall



Corrosion Resistant Junction Boxes

Application

- Designed for use as electronic instrument enclosures, electrical junction boxes or terminal wiring enclosures.

Standards

- UL, cUL 508 Type 4, 4X
- **Complies with**
 - NEMA 4, 4X
 - IEC60529 IP66

Construction

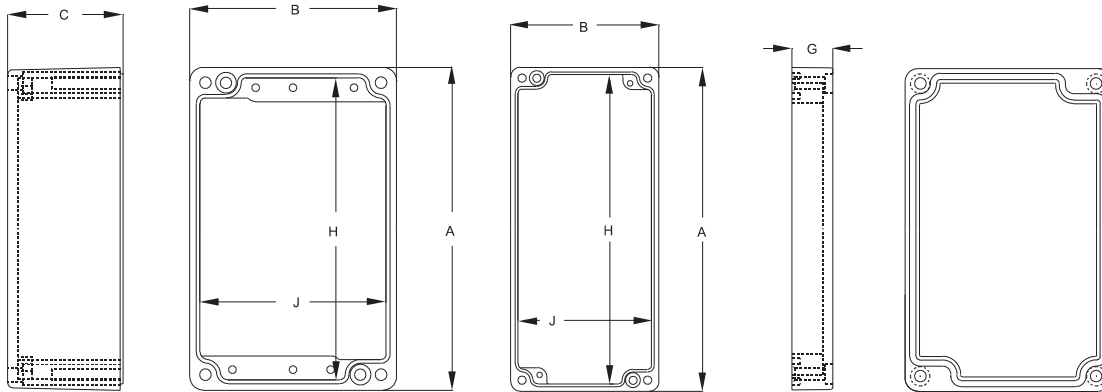
- Rugged diecast aluminum alloy BS1490, LM6.
- Two piece "tongue & groove" construction with a silicone rubber provides protection against dust accumulation and water.
- Ideal for repetitive opening and closing.
- Four recessed stainless steel machine screws secure lid into tapped holes. Screws are self capturing using either individual neoprene "O" rings (outside the lid gasket seal) or using screw capturing lid.
- Copper ground screws and washers included.
- Easy wall mounting with "through box, blind hole" construction.
- Models 1590Z100, 1590Z120, 1590Z164, 1590Z166, 1590Z140, 1590Z235, 1590Z150 and 1590Z160 include mounting shelves and 6 drilled and tapped holes for mounting or grounding.
- Models 1590Z110, 1590Z130 and 1590Z135 include 2 drilled and tapped holes for mounting or grounding.
- Models 1590Z135 and 1590Z160 also include a drilled and tapped grounding hole in the lid.

Finish

- Painted versions are finished in RAL 7001 gray or black powder coating inside and out.
- Unpainted versions are a natural unfinished aluminum.

1590Z Diecast Aluminum Enclosures - NEMA 4X

Watertight, Thick Wall



Side View

**Body
Inside View
with mounting shelf**

**Body
Inside View
without mounting shelf**

**Lid
Side
View**

**Lid
Inside View**

Unpainted Part No.	Black Part No.	Gray Part No.	Units	A	B	C	G	H	J	Lid Grounding Screw	Shelf
1590Z060	1590Z060BK	1590Z060GY	inch mm	1.98 50	1.77 45	0.95 24	0.24 6	1.77 45	1.57 40	Yes	No
1590Z061	1590Z061BK	1590Z061GY	inch mm	2.51 64	2.29 58	1.03 26	0.39 10	2.21 56	1.97 50	No	No
1590Z062	1590Z062BK	1590Z062GY	inch mm	3.86 98	2.52 64	1.03 26	0.39 10	3.5 90	2.2 56	No	No
1590Z063	1590Z063BK	1590Z063GY	inch mm	5.89 150	2.51 64	1.02 26	0.39 10	5.56 141	2.18 55	No	No
1590Z100	1590Z100BK	1590Z100GY	inch mm	2.94 75	3.14 80	1.57 40	0.47 12	2.64 67	2.84 72	No	Yes
1590Z110	1590Z110BK	1590Z110GY	inch mm	2.94 75	3.14 80	1.57 40	0.47 12	2.64 67	2.84 72	No	No
1590Z119	1590Z119BK	1590Z119GY	inch mm	4.8 122	4.72 120	2.36 60	0.81 20	4.45 113	4.36 111	Yes	Yes
1590Z120	1590Z120BK	1590Z120GY	inch mm	4.92 125	3.15 82	1.72 43	0.62 15	4.61 117	2.84 72	No	Yes
1590Z130	1590Z130BK	1590Z130GY	inch mm	6.89 175	3.15 80	1.61 40	0.47 12	6.56 167	2.84 72	No	No
1590Z135	1590Z135BK	1590Z135GY	inch mm	6.89 175	3.15 80	1.61 40	0.79 20	6.56 167	2.84 72	Yes	No
1590Z140	1590Z140BK	1590Z140GY	inch mm	9.85 250	3.13 80	1.57 40	0.59 15	9.48 240	2.66 67	No	Yes
1590Z160	1590Z160BK	1590Z160GY	inch mm	6.3 160	6.3 160	2.76 70	0.79 20	5.98 152	5.98 152	Yes	Yes
1590Z150	1590Z150BK	1590Z150GY	inch mm	8.7 220	4.76 120	2.39 60	0.79 20	8.31 211	4.37 111	No	Yes
1590Z162	1590Z162BK	1590Z162GY	inch mm	10.24 260	6.25 159	2.75 70	0.79 20	9.83 249	5.94 151	Yes	Yes
1590Z164	1590Z164BK	1590Z164GY	inch mm	14.23 361	4.72 120	2.38 60	0.78 20	13.75 350	4.07 103	Yes	Yes
1590Z166	1590Z166BK	1590Z166GY	inch mm	14.17 360	6.30 160	2.76 70	0.78 20	13.75 350	5.77 146	No	Yes
1590Z231	1590Z231BK	1590Z231GY	inch mm	7.88 200	8.71 221	3.63 92	0.8 20	7.62 194	8.45 215	Yes	Yes
1590Z235	1590Z235	1590Z235GY	inch mm	13.07 332	9.13 232	3.54 90	0.78 20	12.65 321	8.50 215	No	Yes

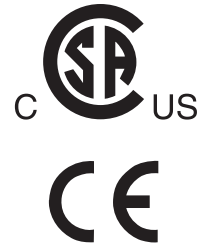
Inches are for reference only. Use metric for precise measurements.

Technical references and CAD downloads available at www.hammondmfg.com

All dimensions in inches unless specified otherwise

Corrosion Resistant Junction Boxes

R100 Diecast Aluminum Enclosures - NEMA 4X



Corrosion Resistant Junction Boxes

Standards

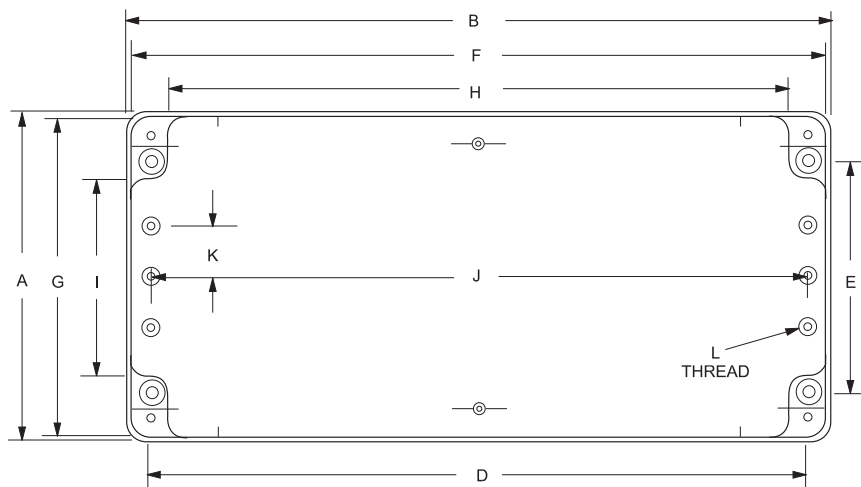
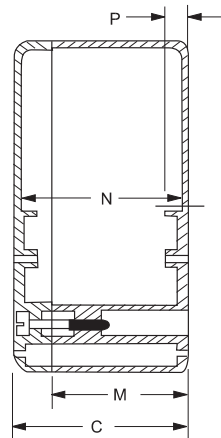
- CSA-US Type 4
- **Complies with**
 - NEMA 4
 - IEC 60529, IP66

Construction

- Aluminum diecast G Al Si 12 / DIN 1725, Leg 230
- Captive stainless steel lid screws are standard.
- Neoprene oil and petrol resistant gasket standard.
- Temperature range -30°C to +100°C (-22°F to +212°F).
- Single-channel Fastening System. Trouble-free turning 90° to 90° with square enclosures by synchronous arrangement of channels.

Finish

- Textured polyester powder coat, beige RAL 7032.



R100 Diecast Aluminum Enclosures - NEMA 4X

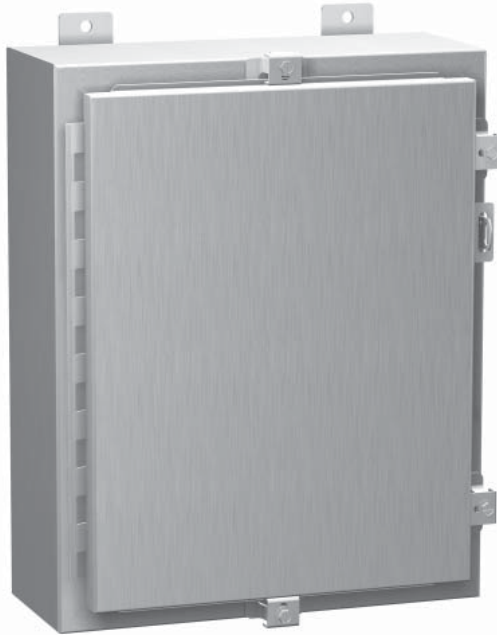
Part No.	Series	Units	Width Length Height			A	B	C	D	E	F	G	H	I	J	K	L	M	N	P
			A	B	C															
R100-060-000	AS-060	inch	2.56	1.97	1.57	1.50	2.09	1.67	2.26	1.28	1.48	1.34	0.96	M4	1.10	1.38	0.35			
		mm	65	50	40	38	53	43	58	33	38	34	25		28	35	9			
R100-062-000	AS-062	inch	2.56	2.56	1.57	2.09	2.09	2.26	2.26	1.48	1.48	1.93	0.55	M4	1.10	1.34	0.35			
		mm	65	65	40	53	53	58	58	38	38	49	14		28	34	9			
R100-064-000	AS-064	inch	2.56	3.94	1.57	3.46	2.09	3.64	2.26	2.85	1.48	3.31	0.55	M4	1.10	1.34	0.35			
		mm	65	100	40	88	53	93	58	73	38	84	14		28	34	9			
R100-066-000	AS-066	inch	2.56	5.91	1.57	5.43	2.09	5.61	2.26	4.82	1.48	5.28	0.55	M4	1.10	1.34	0.35			
		mm	65	150	40	138	53	143	58	123	38	134	14		28	34	9			
R100-080-000	AS-080	inch	3.15	3.15	2.36	2.64	2.64	2.78	2.78	1.93	1.93	2.28	0.77	M4	1.57	2.13	0.39			
		mm	80	80	60	67	67	71	71	49	49	58	20		40	54	10			
R100-082-000	AS-082	inch	3.15	4.72	2.36	4.21	2.64	4.35	2.78	3.54	1.93	3.86	0.77	M4	1.57	2.13	0.39			
		mm	80	120	60	107	67	111	71	90	49	98	20		40	54	10			
R100-084-000	AS-084	inch	3.15	6.30	2.36	5.79	2.64	5.93	2.78	5.43	1.93	5.43	0.77	M4	1.57	2.13	0.39			
		mm	80	160	60	147	67	151	71	138	49	138	20		40	54	10			
R100-100-000	AS-100	inch	3.94	3.94	3.15	3.43	3.43	3.54	3.54	2.74	2.74	3.07	1.16	M4	2.09	2.91	0.39			
		mm	100	100	80	87	87	90	90	70	70	78	30		53	74	10			
R100-102-000	AS-102	inch	3.94	5.91	3.15	5.39	3.43	5.51	3.54	4.70	2.74	5.04	1.16	M4	2.09	2.91	0.39			
		mm	100	150	80	137	87	140	90	120	70	128	30		53	74	10			
R100-104-000	AS-104	inch	3.94	7.87	3.15	7.36	3.43	7.48	3.54	6.67	2.74	7.01	1.16	M4	2.09	2.91	0.39			
		mm	100	200	80	187	87	190	90	170	70	178	30		53	74	10			
R100-120-000	AS-120	inch	4.72	4.72	3.94	4.02	4.02	4.29	4.29	3.15	3.15	3.62	1.26	M6	2.64	3.62	0.51			
		mm	120	120	100	102	102	109	109	80	80	92	32		67	92	13			
R100-122-000	AS-122	inch	4.72	7.09	3.94	6.38	4.02	6.65	4.29	5.51	3.15	5.98	1.26	M6	2.64	3.62	0.51			
		mm	120	180	100	162	102	169	109	140	80	152	32		67	92	13			
R100-124-000	AS-124	inch	4.72	9.45	3.94	8.74	4.02	9.02	4.29	7.87	3.15	8.35	1.26	M6	2.64	3.62	0.51			
		mm	120	240	100	222	102	229	109	200	80	212	32		67	92	13			
R100-160-000	AS-160	inch	6.30	6.30	3.94	5.59	5.59	5.87	5.87	4.74	4.76	5.20	2.05	M6	2.64	3.62	0.51			
		mm	160	160	100	142	142	149	149	121	121	132	52		67	92	13			
R100-162-000	AS-162	inch	6.30	9.45	3.94	8.74	5.59	9.02	5.87	7.87	4.72	8.39	2.05	M6	2.64	3.62	0.51			
		mm	160	240	100	222	142	229	149	200	120	213	52		67	92	13			
R100-164-000	AS-164	inch	6.30	12.60	3.94	11.89	5.59	12.17	5.87	11.02	4.72	11.50	2.05	M6	2.64	3.62	0.51			
		mm	160	320	100	302	142	309	149	280	120	292	52		67	92	13			
R100-166-000	AS-166	inch	6.30	18.90	3.94	18.19	5.59	18.43	5.83	17.28	4.69	17.80	2.05	M6	2.64	3.58	0.51			
		mm	160	480	100	462	142	468	148	439	119	452	52		67	91	13			
R100-200-000	AS-200	inch	7.87	7.87	4.72	7.09	7.09	7.40	7.40	6.08	6.10	6.61	2.64	M6	3.15	4.41	0.51			
		mm	200	200	120	180	180	188	188	155	155	168	67		80	112	13			
R100-202-000	AS-202	inch	7.87	11.81	4.72	11.02	7.09	11.34	7.40	10.02	6.10	10.55	2.64	M6	3.15	4.41	0.51			
		mm	200	300	120	280	180	288	188	255	155	268	67		80	112	13			
R100-204-000	AS-204	inch	7.87	15.75	4.72	14.96	7.09	15.28	7.40	13.96	6.10	14.49	2.64	M6	3.15	4.37	0.51			
		mm	200	400	120	380	180	388	188	355	155	368	67		80	111	13			
R100-240-000	AS-240	inch	9.45	9.45	4.72	8.66	8.66	8.98	8.98	7.66	7.68	8.19	3.43	M6	3.15	4.41	0.51			
		mm	240	240	120	220	220	228	228	195	195	208	87		80	112	13			
R100-242-000	AS-242	inch	9.45	14.17	4.72	13.39	8.66	13.70	8.98	12.38	7.68	12.91	3.43	M6	3.15	4.37	0.51			
		mm	240	360	120	340	220	348	228	315	195	328	87		80	111	13			
R100-244-000	AS-244	inch	9.45	18.90	4.72	18.11	8.66	18.43	8.98	17.11	7.68	17.64	3.43	M6	3.15	4.37	0.51			
		mm	240	480	120	460	220	468	228	435	195	448	87		80	111	13			
R100-320-000	AS-320	inch	12.60	12.60	4.72	11.81	11.81	12.13	12.13	10.81	10.83	11.34	5.00	M6	3.15	4.37	0.51			
		mm	320	320	120	300	300	308	308	275	275	288	127		80	111	13			
R100-322-000	AS-322	inch	12.60	18.90	4.72	18.11	11.81	18.43	12.13	17.11	10.83	17.64	5.00	M6	3.15	4.37	0.51			
		mm	320	480	120	460	300	468	308	435	275	448	127		80	111	13			
R100-324-000	AS-324	inch	12.60	25.20	4.72	24.41	11.81	24.72	12.13	23.41	10.83	23.94	5.00	M6	3.15	4.37	0.51			
		mm	320	640	120	620	300	628	308	595	275	608	127		80	111	13			

Inches are for reference only. Use metric for precise measurements.

Corrosion Resistant Junction Boxes

1418 Series Single Door Aluminum Enclosures - NEMA 4

Continuous Hinge, Clamped Cover



Inner
Panel
Included



Corrosion Resistant

Wallmount Enclosures

Application

- Designed for use as instrument enclosures, electric, hydraulic or pneumatic control housings, electrical junction boxes or terminal wiring enclosures.
- Provides protection where equipment may be hosed down or otherwise be very wet, or in specific applications where corrosion may be a problem.

Standards

- UL 508 Type 4 and 12 as marked¹
- CSA Type 4 and 12
- **Complies with**
 - NEMA Type 4, 12 and 13
 - JIC EGP-1-1967
 - IEC 60529, IP66

Construction

- Formed from 0.10" Type 5052 H-32 aluminum.
- Smooth, continuously welded seams without knockouts, cutouts or holes.
- Door and body stiffeners are provided in the larger enclosures for extra rigidity.
- Welded brackets provide for enclosure mounting.
- Formed lip on door and enclosure excludes flowing liquids and contaminants.
- Aluminum continuous hinge on door may be removed by pulling the aluminum hinge pin.
- Door is secured with easily operated aluminum clamps.
- Provision for padlocking.
- Seamless poured-in place gasket.
- A removable 12 gauge inner panel is included.
- Collar studs are provided for mounting inner panels.
- A bonding stud is provided on the door and a grounding stud is provided in the enclosure.
- A literature pocket is provided for the inside of the door.

Finish

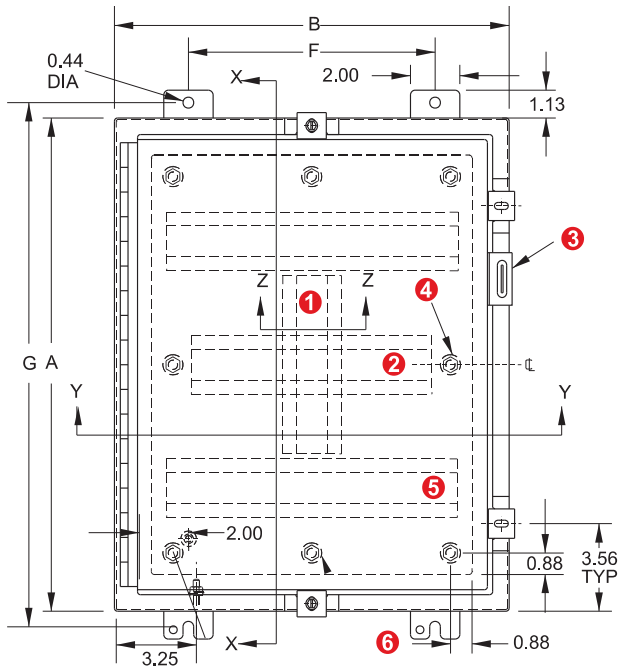
- Cover and enclosure are natural unfinished aluminum.
- Removable inner panel is finished in white powder coating.

Accessories

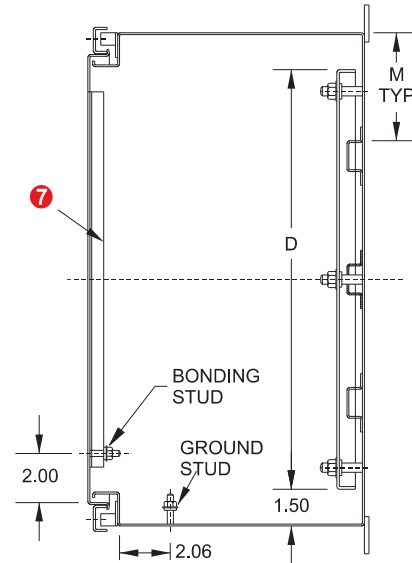
- Additional inner panels...see page **436**
- Breather kits...see page **400-401**
- Door stop kits...see page **453**
- Heaters...see page **393-396**
- Lock kit...see page **431**
- Terminal kit assemblies
...see page **441**
- Thermostats...see page **397**
- Window kits...see page **449**

1418 Series Single Door Aluminum Enclosures - NEMA 4

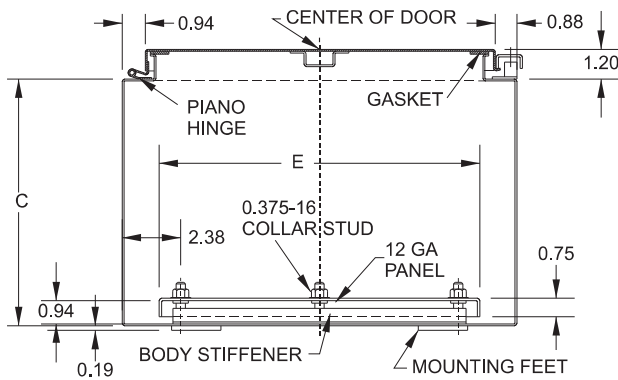
Continuous Hinge, Clamped Cover



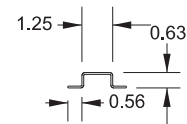
Front View



Side View



Section Y-Y



Section Z-Z

- ① Vertical stiffener required on KK and M only.
- ② Omit center body stiffener if A is less than 41".
- ③ Padlocking hasp and staple.
- ④ Omit 2 middle studs if A is less than 31".
- ⑤ Omit body stiffeners if A or B is less than 29".
- ⑥ Omit 2 middle studs if B is less than 31".
- ⑦ Omit door stiffener if A or B is less than 31".

Part No.	Panel Size			Mtg. Centers		Ship Wt. lbs.
	A	B	C	D	E	
1418N4ALB6 ^{1,2}	16	12	6	13	9	14
1418N4ALC6 ^{1,2}	20	16	6	17	13	16
1418N4ALE6 ¹	24	20	6	21	17	21
1418N4ALJ8 ¹	24	24	8	21	21	26
1418N4ALK8 ¹	30	24	8	27	21	39
1418N4ALM8	36	30	8	33	27	42
1418N4ALS8	48	36	8	45	33	56
1418N4ALC10 ^{1,2}	20	16	10	17	13	19
1418N4ALE10 ¹	24	20	10	21	17	24
1418N4ALK12 ¹	30	24	12	27	21	36
1418N4ALM12	36	30	12	33	27	47
1418N4ALT12	60	36	12	57	33	83

When A=	M=
30	7.00
36	9.00
42	9.88
48	11.38
60	14.38

¹ Meets UL standards

² Flat panel

Technical references and CAD downloads available at www.hammondmfg.com

All dimensions in inches unless specified otherwise

Quality Products. Service Excellence.

Eclipse Junior Series Stainless Steel Enclosures - NEMA 4X

Single Door Enclosures

Corrosion Resistant Junction Boxes



**Inner
Panel
Included**



Application

- Designed for use as instrument enclosures, electric, hydraulic or pneumatic control housings, electrical junction boxes or terminal wiring enclosures.
- Provides protection where equipment may be hosed down or otherwise be very wet, or in specific applications where corrosion may be a problem.
- For high temperature applications, a gasket retainer may be required, please refer to factory.

Standards

- UL 508 Type 3R, 4, 4X, 12, and 13
- CSA Type 3R, 4, 4X, 12, and 13
- **Complies with**
 - NEMA Type 3R, 4, 4X, 12 and 13
 - JIC EGP-1-1967
 - IEC 60529, IP66

Construction

- Body and cover are formed from 16 gauge 304 or 316 stainless steel
- Smooth, continuously welded seams without knockouts, cutouts, or holes.
- Formed lip on enclosure to exclude flowing liquids and contaminants.
- 14 gauge welded brackets provide for enclosure mounting.
- Continuously hinged cover has stainless steel hinges and provides 180° opening
- Door latches feature the added safety of quarter turn slot requiring use of tool for opening.
- Quarter turn latches formed from 316 stainless steel
- Seamless poured-in place gasket.
- Models larger than 4"x4" include a removable 14 gauge galvanized inner panel.
- Tapped studs are provided for mounting inner panels.
- A bonding stud is provided on the door and a grounding stud is provided on the enclosure.
- Grounding and panel mounting hardware provided.

Finish

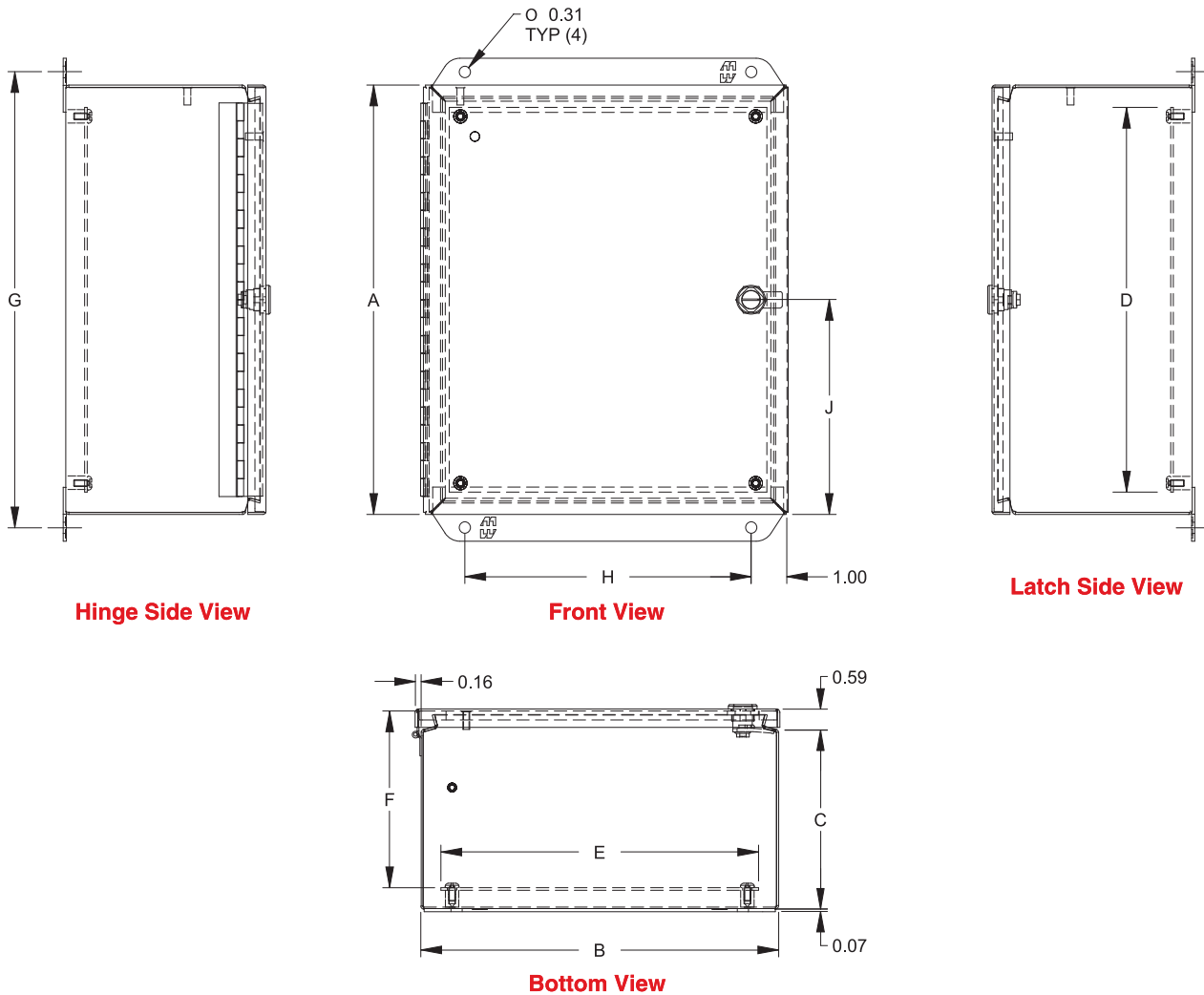
- Cover and enclosure are natural stainless steel with a smooth brushed finish.
- Removable inner panel is unpainted galvanized steel.

Accessories

- Additional inner panels...see page **436**
- Breather kits...see page **400-401**
- Filter fans...see page **371-384**
- Heaters...see page **393-396**
- Louvered ventilating plates
...see page **402**
- Terminal kit assemblies
...see page **441**
- Thermostats...see page **397**
- Window kits...see page **449**
- Padlock Adaptor (EJPA)
...see page **435**

Eclipse Junior Series Stainless Steel Enclosures - NEMA 4X

Single Door Enclosures



Corrosion Resistant Junction Boxes

304 S.S. Part Number	316 S.S. Part Number	Overall Dimensions			Panel Size			G	H	J	Ship Wt. lbs.
		A	B	C	D	E	F				
EJ644SS	EJ644S16	6.00	4.00	4.00	4.88	2.88	3.92	6.75	2.00	3.00	3
EJ664SS	EJ664S16	6.00	6.00	4.00	4.88	4.88	3.92	6.75	4.00	3.00	4
EJ863SS	EJ863S16	8.00	6.00	3.5	6.75	4.88	3.42	8.75	4.00	4.00	5
EJ1084SS	EJ1084S16	10.00	8.00	4.00	8.75	6.88	3.92	10.75	6.00	5.00	8
EJ12105SS	EJ12105S16	12.00	10.00	5.00	10.75	8.88	4.92	12.75	8.00	6.00	12
EJ12126SS	EJ12126S16	12.00	12.00	6.00	10.75	10.88	5.92	12.75	10.00	6.00	15
EJ14126SS	EJ14126S16	14.00	12.00	6.00	12.75	10.88	5.92	14.75	10.00	7.00	17
EJ14128SS	EJ14128S16	14.00	12.00	8.00	12.75	10.88	7.92	14.75	10.00	7.00	18
EJ16146SS	EJ16146S16	16.00	14.00	6.00	14.75	12.88	5.92	16.75	12.00	8.00	21
EJ161410SS	EJ161410S16	16.00	14.00	10.00	14.75	12.88	9.92	16.75	12.00	8.00	23

Technical references and CAD downloads available at www.hammondmfg.com

All dimensions in inches unless specified otherwise

Quality Products. Service Excellence.

1414 N4 PHSS Series Stainless Steel Enclosures - NEMA 4X

Continuous Hinge, Clamped Cover



Inner
Panel
Included



Corrosion Resistant Junction Boxes

Application

- Designed for use as instrument enclosures, electric, hydraulic or pneumatic control housings, electrical junction boxes or terminal wiring enclosures.
- Provides protection where equipment may be hosed down or otherwise be very wet, or in specific applications where corrosion may be a problem.

Standards

- UL 508 Type 3R, 4, 4X, 12 and 13
- CSA Type 3R, 4, 4X, 12 and 13
- **Complies with**
 - NEMA Type 3R, 4, 4X, 12 and 13
 - JIC EGP-1-1967
 - IEC 60529, IP66

Construction

- Formed from 14 gauge 304 or 316 stainless steel.
- Smooth, continuously welded seams.
- Welded brackets provide for enclosure mounting.
- Continuous stainless steel hinged cover is secured with stainless steel clamps and screws.
- Seamless poured-in place gasket.
- All models include a removable 14 gauge inner panel.
- Tapped studs are provided for mounting inner panels.
- A bonding stud is provided on the door and a grounding stud is provided in the enclosure.

Finish

- Cover and enclosure are natural stainless steel with a smooth brushed finish.
- Removable inner panel is finished in white powder coating.

Accessories

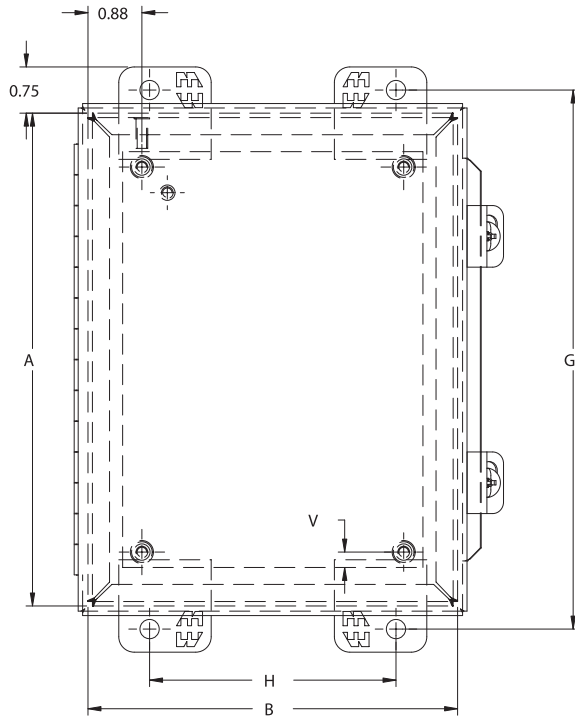
- Additional inner panels...see page **436**
- Breather kits...see page **400-401**
- Door clamping hardware
...see page **429**
- Filter fans...see page **371-384**
- Heaters...see page **393-396**
- Louvered ventilating plates
...see page **402**
- Terminal kit assemblies
...see page **441**
- Thermostats...see page **397**
- Window kits...see page **449**

1414 N4 PHSS Series Stainless Steel Enclosures - NEMA 4X

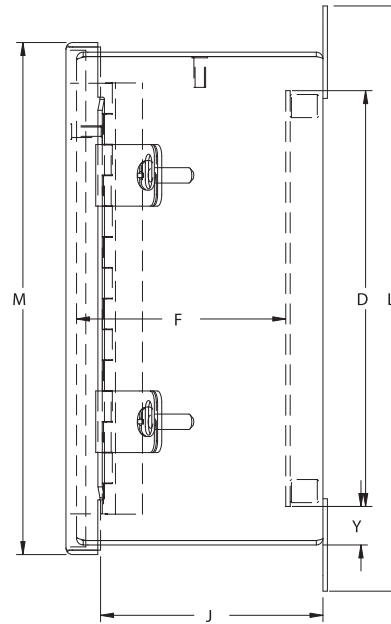
Continuous Hinge, Clamped Cover



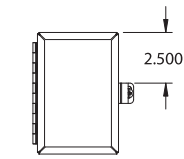
Corrosion Resistant Junction Boxes



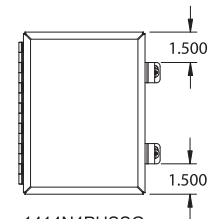
Front View



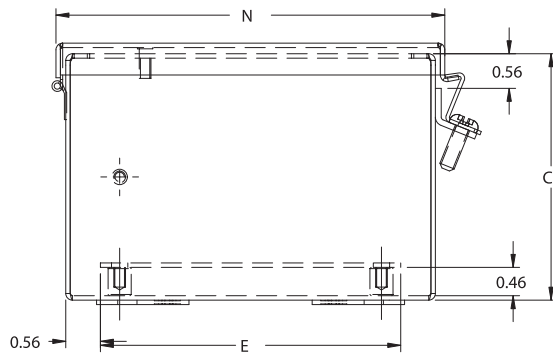
Side View



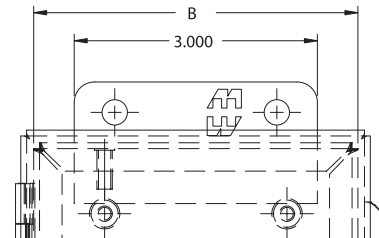
1414N4PHSSC4
1414N4PHSSE



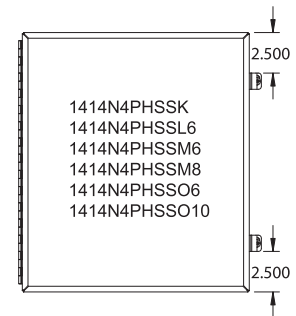
1414N4PHSSG
1414N4PHSSG4
1414N4PHSSI



Bottom View



Mounting Detail When B= 4



1414N4PHSSK
1414N4PHSSL6
1414N4PHSSM6
1414N4PHSSM8
1414N4PHSSO6
1414N4PHSSO10

304 S.S. Part Number	316 S.S. Part Number	Dimensions			Panel Size			Mounting Centers				Cover Dimensions				Ship Wt. Lbs.
		A	B	C	D	E	F	G	H	J	L	M	N	V	Y	
1414N4PHSSC4	1414N4PHS16C4	6.0	4.0	4.0	4.88	2.88	3.5	6.75	2.0	3.6	7.5	6.31	4.31	0.31	0.56	5
1414N4PHSSE	1414N4PHS16E	6.0	6.0	4.0	4.88	4.88	3.5	6.75	4.0	3.6	7.5	6.31	6.31	0.31	0.56	6
1414N4PHSSG	1414N4PHS16G	8.0	6.0	3.5	6.75	4.88	3.0	8.75	4.0	3.1	9.5	8.31	6.31	0.25	0.63	6
1414N4PHSSG4	-	8.0	6.0	4.0	6.75	4.88	3.5	8.75	4.0	3.6	9.5	8.31	6.31	0.25	0.63	8
1414N4PHSSI	1414N4PHS16I	10.0	8.0	4.0	8.75	6.88	3.5	10.75	6.0	3.6	11.5	10.31	8.31	0.25	0.63	10
1414N4PHSSK	1414N4PHS16K	12.0	10.0	5.0	10.75	8.88	4.5	12.75	8.0	4.6	13.5	12.31	10.31	0.25	0.63	15
1414N4PHSSK6	1414N4PHS16K6	12.0	10.0	6.0	10.75	8.88	4.5	12.75	8.0	4.6	13.5	12.31	10.31	0.25	0.63	16
1414N4PHSSL6	1414N4PHS16L6	12.0	12.0	6.0	10.75	10.88	5.5	12.75	10.0	5.6	13.5	12.31	12.31	0.25	0.63	20
1414N4PHSSM6	1414N4PHS16M6	14.0	12.0	6.0	12.75	10.88	5.5	14.75	10.0	5.6	15.5	14.31	12.31	0.25	0.63	21
1414N4PHSSO6	1414N4PHS16O6	16.0	14.0	6.0	14.75	12.88	5.5	16.75	12.0	5.6	17.5	16.31	14.31	0.25	0.63	26
1414N4PHSSM8	-	14.0	12.0	8.0	12.75	10.88	7.5	14.75	10.0	7.6	15.5	14.31	12.31	0.25	0.63	22
1414N4PHSSO10	-	16.0	14.0	10.0	14.75	12.88	9.5	16.75	12.0	9.6	17.5	16.31	14.31	0.25	0.63	28

Technical references and CAD downloads available at www.hammondmfg.com

All dimensions in inches unless specified otherwise

Quality Products. Service Excellence.

1414 N4 SS Stainless Steel Enclosures - NEMA 4X

Lift-Off, Clamped Cover



Inner
Panel
Included



Corrosion Resistant Junction Boxes

Application

- Designed for use as instrument enclosures, electric, hydraulic or pneumatic control housings, electrical junction boxes or terminal wiring enclosures.
- Provides protection where equipment may be hosed down or otherwise be very wet, or in specific applications where corrosion may be a problem.

Standards

- UL 508 Type 3R, 4, 4X, 12 and 13.
- CSA Type 3R, 4, 4X, 12 and 13.
- **Complies with**
 - NEMA Type 3R, 4, 4X, 12 and 13.
 - JIC EGP-1-1967
 - IEC 60529, IP66

Construction

- Formed from 14 gauge 304 stainless steel.
- Smooth, continuously welded seams.
- Welded brackets provide for enclosure mounting.
- Lift-Off cover is secured with stainless steel clamps and screws.
- Seamless poured-in place gasket.
- All models larger than 4" x 4" include a removable 14 gauge inner panel.
- Tapped studs are provided for mounting inner panels.
- A bonding stud is provided on the door and a grounding stud is provided in the enclosure.

Finish

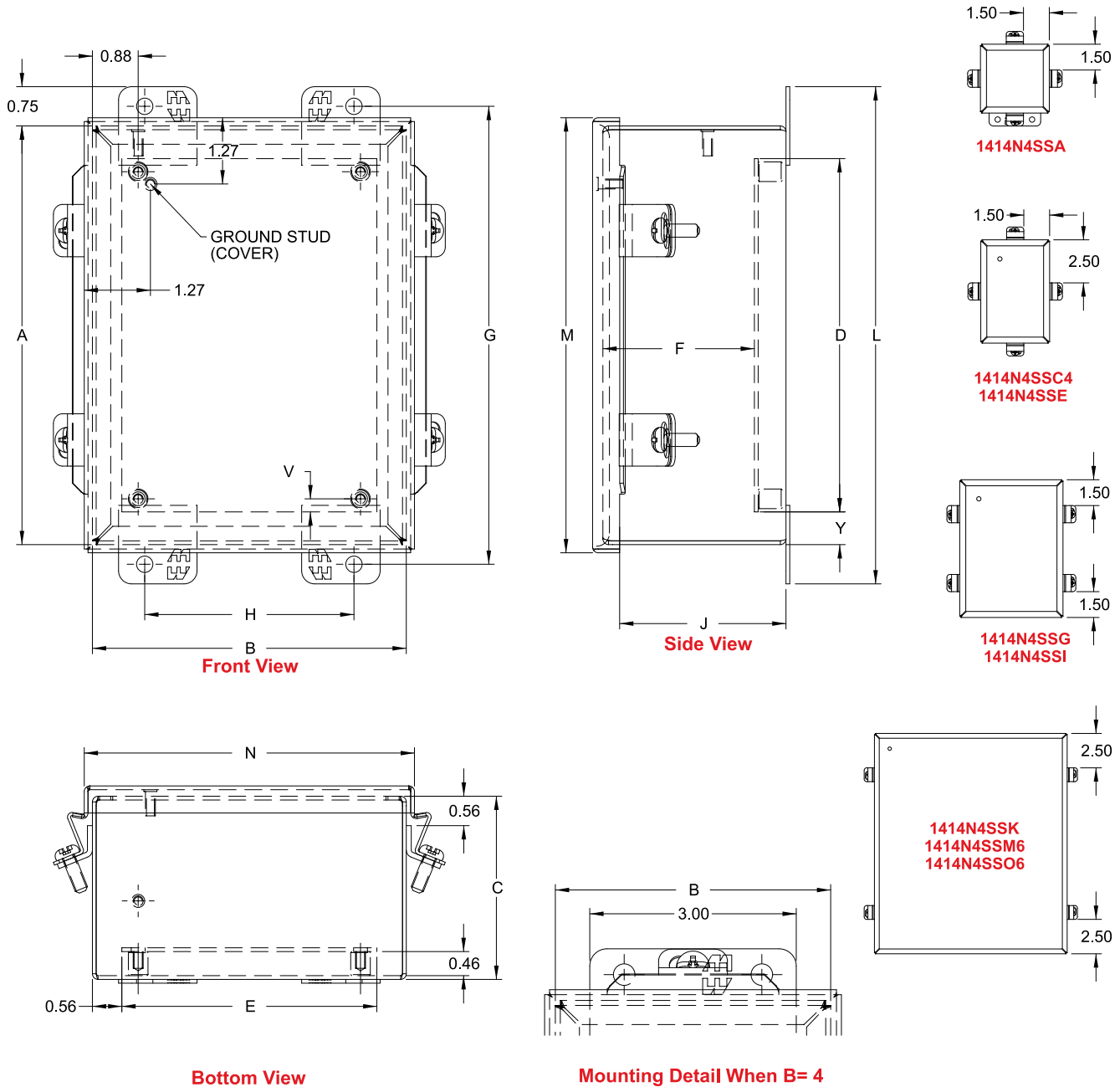
- Cover and enclosure are natural stainless steel with a smooth brushed finish.
- Removable inner panel is finished in white powder coating.

Accessories

- Additional inner panels...see page **436**
- Breather kits...see page **400-401**
- Door clamping hardware
...see page **429**
- Filter fans...see page **371-384**
- Heaters...see page **393-396**
- Louvered ventilating plates
...see page **402**
- Terminal kit assemblies
...see page **441**
- Thermostats...see page **397**
- Window kits...see page **449**

1414 N4 SS Stainless Steel Enclosures - NEMA 4X

Lift-Off, Clamped Cover



Corrosion Resistant Junction Boxes

Part Number	Dimensions			Panel Size			Mounting Centers			Cover Dim.				Shit Wt. Lbs	
	A	B	C	D	E	F	G	H	J	L	M	N	V		Y
1414N4SSA	4.00	4.00	3.00	-	-	-	4.75	2.00	2.60	5.50	4.31	4.31	-	-	2
1414N4SSC4	6.00	4.00	4.00	4.88	2.88	3.50	6.75	2.00	3.60	7.50	6.31	4.31	0.31	0.56	3
1414N4SSE	6.00	6.00	4.00	4.88	4.88	3.50	6.75	4.00	3.60	7.50	6.31	6.31	0.31	0.56	6
1414N4SSG	8.00	6.00	3.50	6.75	4.88	3.00	8.75	4.00	3.60	9.50	8.31	6.31	0.25	0.63	6
1414N4SSI	10.00	8.00	4.00	8.75	6.88	3.50	10.75	6.00	3.60	11.50	10.31	8.31	0.25	0.63	10
1414N4SSK	12.00	10.00	5.00	10.75	8.88	4.50	12.75	8.00	4.60	13.50	12.31	10.31	0.25	0.63	15
1414N4SSM6	14.00	12.00	6.00	12.75	10.88	5.50	14.75	10.00	5.60	15.50	14.31	12.31	0.25	0.63	20
1414N4SSO6	16.00	14.00	6.00	14.75	12.88	5.50	16.75	12.00	5.60	17.50	16.31	14.31	0.25	0.63	26

Technical references and CAD downloads available at www.hammondmfg.com

All dimensions in inches unless specified otherwise

Quality Products. Service Excellence.

Eclipse Series, Stainless Steel - NEMA 4X Single Door Enclosures



Single Door with quarter turns

Panel
Sold
Separately



Corrosion Resistant

Wallmount Enclosures

Application

- Designed to enclose electrical and/or electronic equipment and protect against harsh, industrial environments for wallmount applications.
- Impressive styling features like hidden hinges and attractive latching systems make the Eclipse a suitable addition to any high-tech equipment installation.
- A wide range of sizes and practical accessories make this product line a complete package.

Standards

- UL 508 Type 3R, 4, 4X and 12
- CSA Type 3R, 4, 4X and 12
- **Complies with**
 - NEMA 3R, 4, 4X, 12 and 13
 - IEC 60529, IP 66

Construction

- Formed 14 or 16 gauge 304 or 316 stainless steel.
- Continuously welded seams ground smooth.
- Door stiffeners are provided where required for increased strength and rigidity - designed to also permit additional mounting options.
- Formed lip on enclosure to exclude flowing liquids and contaminants.
- Door latches feature the added safety of quarter turn slot requiring use of tool for opening.
- Doors may be easily removed for modifications and are interchangeable.
- Seamless poured-in place gasket.
- Collar studs provided for mounting inner panel.
- Includes hardware kit with panel mounting nuts and sealing washers for wall mounting holes.
- Bonding stud provided on door and grounding stud installed in enclosure.
- 3 point latching handle (where applicable) is zinc diecast with black epoxy finish.
- Stainless steel hinge pins and quarter turns.
- Door alignment guide provided on 36" wide enclosures.

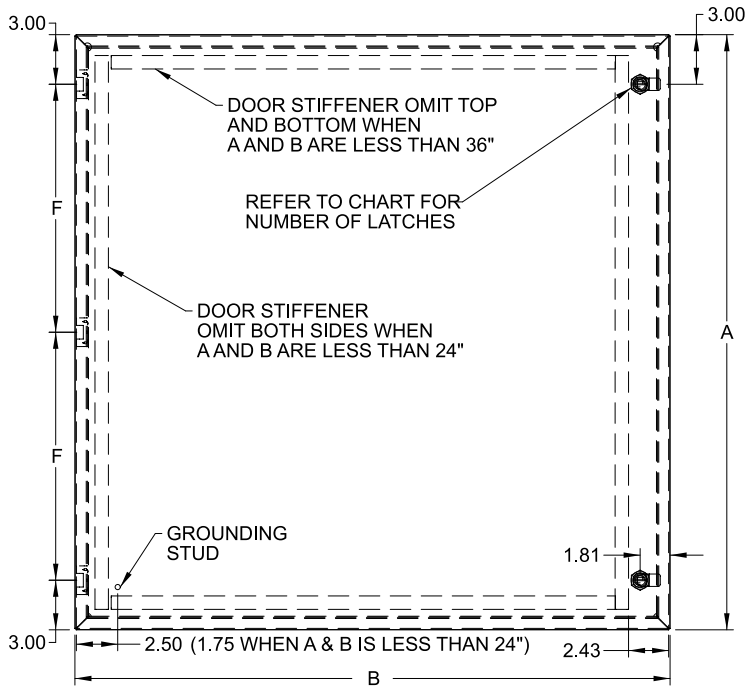
Finish

- Cover and enclosure are natural stainless steel with a smooth brushed finish.

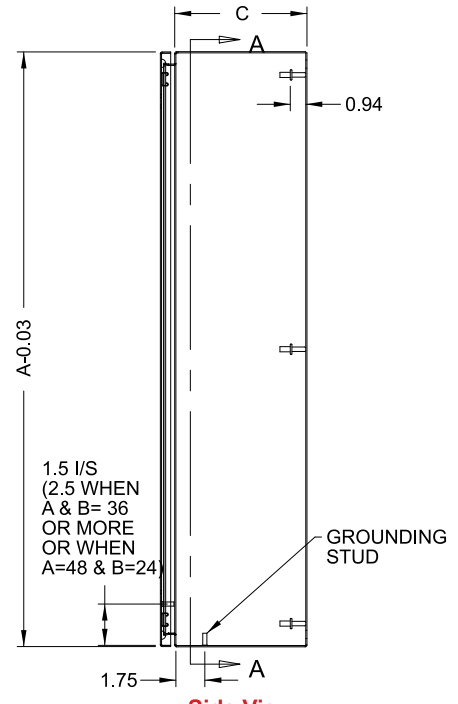
Accessories

- Air conditioners...see page **349-367**
- Blowers...see page **392**
- Breather kits...see page **400-401**
- DIN rails...see page **89**
- DIN rail mounting kit...see page **88**
- Door stop kit...see page **453**
- Door support guide...see page **451**
- Drip shield kits...see page **451**
- Filter fans...see page **371-384**
- Heaters...see page **393-396**
- Handles...see page **90**
- Inner panel...see page **87**
- Quarter turn inserts and keys
...see page **89**
- Literature pocket...see page **456**
- Mounting foot kit...see page **90**
- Swing frame...see page **88**
- Swing panel...see page **87**
- Replacement hinge pins...see page **88**
- Replacement quarter turn assemblies...see page **89**
- Thermostats...see page **397**
- UL/CSA approved hardware kit
...see page **433**
- Padlock Adaptor (EPA)...see page **90**

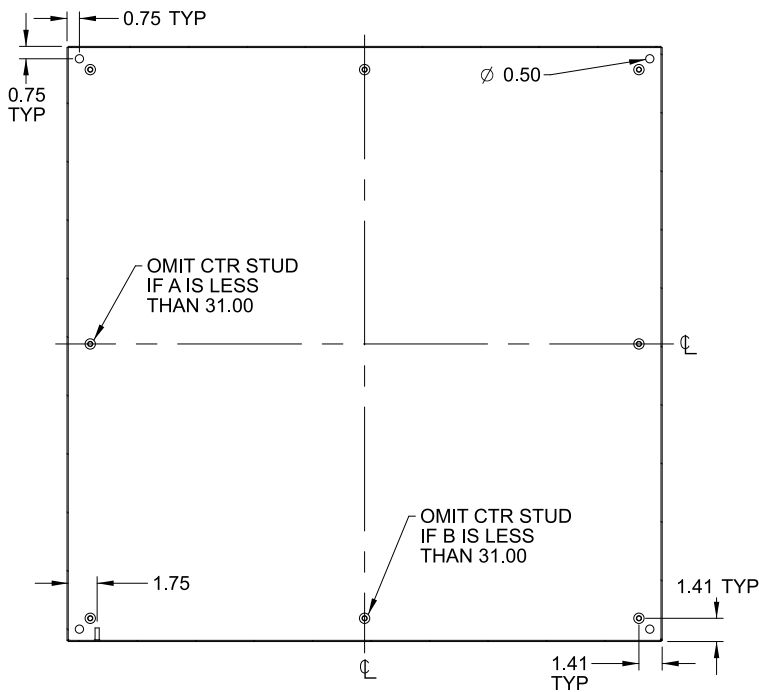
Eclipse Series, Stainless Steel - NEMA 4X Single Door Enclosures



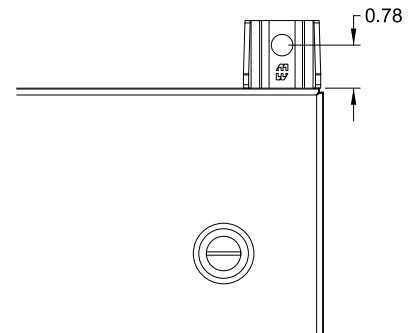
Front View



Side View



SECTION A-A



Mounting Foot Detail

Corrosion Resistant Wallmount Enclosures

Eclipse Series, Stainless Steel - NEMA 4X

Single Door Enclosures

**Corrosion Resistant
Wallmount Enclosures**

304 S.S. Part Number	316 S.S. Part Number	Overall Dimensions			Door/ Body Gauge	Latches Qty	Type	Opt. Panel Part No.	Panel Size		No. of Hinges	F	Ship Wt. Lbs.
		A	B	C					D	E			
EN4SD12126SS	EN4SD12126S16	12.00	12.00	6.00	16	1	Qtr Turn	EP1212	10.20	10.20	2	6	12
EN4SD16126SS	EN4SD16126S16	16.00	12.00	6.00	16	1	Qtr Turn	EP1612	14.20	10.20	2	10	16
EN4SD16166SS	EN4SD16166S16	16.00	16.00	6.00	16	1	Qtr Turn	EP1616	14.20	14.20	2	10	19
EN4SD16206SS	-	16.00	20.00	6.00	16	1	Qtr Turn	EP1620	14.20	18.20	2	10	22
EN4SD20166SS	EN4SD20166S16	20.00	16.00	6.00	16	1	Qtr Turn	EP2016	18.20	14.20	2	14	22
EN4SD20206SS	-	20.00	20.00	6.00	16	1	Qtr Turn	EP2020	18.20	18.20	2	14	26
EN4SD24206SS	EN4SD20206S16	24.00	20.00	6.00	16	1	Qtr Turn	EP2420	22.20	18.20	2	18	30
EN4SD16128SS	EN4SD16128S16	16.00	12.00	8.00	16	1	Qtr Turn	EP1612	14.20	10.20	2	10	16
EN4SD16168SS	EN4SD16168S16	16.00	16.00	8.00	16	1	Qtr Turn	EP1616	14.20	14.20	2	10	21
EN4SD16208SS	EN4SD16208S16	16.00	20.00	8.00	16	1	Qtr Turn	EP1620	14.20	18.20	2	10	25
EN4SD20168SS	EN4SD20168S16	20.00	16.00	8.00	16	1	Qtr Turn	EP2016	18.20	14.20	2	14	25
EN4SD20208SS	EN4SD20208S16	20.00	20.00	8.00	16	1	Qtr Turn	EP2020	18.20	18.20	2	14	28
EN4SD20248SS	-	20.00	24.00	8.00	16	1	Qtr Turn	EP2024	18.20	22.20	2	14	32
EN4SD24168SS	EN4SD24168S16	24.00	16.00	8.00	16	1	Qtr Turn	EP2416	22.20	14.20	2	18	26
EN4SD24208SS	EN4SD24208S16	24.00	20.00	8.00	16	1	Qtr Turn	EP2420	22.20	18.20	2	18	32
EN4SD24248SS	EN4SD24248S16	24.00	24.00	8.00	14	2	Qtr Turn	EP2424	22.20	22.20	2	18	40
EN4SD24308SS	-	24.00	30.00	8.00	14	2	Qtr Turn	EP2430	22.20	28.20	2	18	48
EN4SD30208SS	-	30.00	20.00	8.00	14	2	Qtr Turn	EP3020	28.20	18.20	3	12	42
EN4SD30248SS	EN4SD30248S16	30.00	24.00	8.00	14	2	Qtr Turn	EP3024	28.20	22.20	3	12	46
EN4SD30308SS	EN4SD30308S16	30.00	30.00	8.00	14	2	Qtr Turn	EP3030	28.20	28.20	3	12	67
EN4SD36248SS	EN4SD36248S16	36.00	24.00	8.00	14	2	Qtr Turn	EP3624	34.20	22.20	3	15	55
EN4SD36308SS	EN4SD36308S16	36.00	30.00	8.00	14	2	Qtr Turn	EP3630	34.20	28.20	3	15	77
EN4SD42368SSR	-	42.00	36.00	8.00	14	5	Qtr Turn	EP4236	40.20	34.20	4	12	106
EN4SD48368SSR	-	48.00	36.00	8.00	14	5	Qtr Turn	EP4836	46.20	34.20	4	14	124
EN4SD161210SS	EN4SD161210S16	16.00	12.00	10.00	16	1	Qtr Turn	EP1612	14.20	10.20	2	10	18
EN4SD161610SS	EN4SD161610S16	16.00	16.00	10.00	16	1	Qtr Turn	EP1616	14.20	14.20	2	10	23
EN4SD162010SS	EN4SD162010S16	16.00	20.00	10.00	16	1	Qtr Turn	EP1620	14.20	18.20	2	10	28
EN4SD201610SS	EN4SD201610S16	20.00	16.00	10.00	16	1	Qtr Turn	EP2016	18.20	14.20	2	14	28
EN4SD202010SS	EN4SD202010S16	20.00	20.00	10.00	16	1	Qtr Turn	EP2020	18.20	18.20	2	14	31
EN4SD202410SS	EN4SD202410S16	20.00	24.00	10.00	16	1	Qtr Turn	EP2024	18.20	22.20	2	14	38
EN4SD241610SS	EN4SD241610S16	24.00	16.00	10.00	16	1	Qtr Turn	EP2416	22.20	14.20	2	18	30
EN4SD242010SS	EN4SD242010S16	24.00	20.00	10.00	16	1	Qtr Turn	EP2420	22.20	18.20	2	18	38
EN4SD242410SS	EN4SD242410S16	24.00	24.00	10.00	14	2	Qtr Turn	EP2424	22.20	22.20	2	18	45
EN4SD243010SS	EN4SD243010S16	24.00	30.00	10.00	14	2	Qtr Turn	EP2430	22.20	28.20	2	18	53
EN4SD302010SS	EN4SD302010S16	30.00	20.00	10.00	14	2	Qtr Turn	EP3020	28.20	18.20	3	12	47
EN4SD302410SS	EN4SD302410S16	30.00	24.00	10.00	14	2	Qtr Turn	EP3024	28.20	22.20	3	12	53
EN4SD303010SS	EN4SD303010S16	30.00	30.00	10.00	14	2	Qtr Turn	EP3030	28.20	28.20	3	12	75
EN4SD362410SS	EN4SD362410S16	36.00	24.00	10.00	14	2	Qtr Turn	EP3624	34.20	22.20	3	15	62
EN4SD363010SS	EN4SD363010S16	36.00	30.00	10.00	14	2	Qtr Turn	EP3630	34.20	28.20	3	15	83
EN4SD423010SSR	-	42.00	30.00	10.00	14	5	Qtr Turn	EP4230	40.20	28.20	4	12	110
EN4SD482410SS	EN4SD482410S16	48.00	24.00	10.00	14	1	3-point	EP4824	46.20	26.20	4	14	95
EN4SD202012SS	EN4SD202012S16	20.00	20.00	12.00	16	1	Qtr Turn	EP2020	18.20	18.20	2	14	34
EN4SD242412SS	EN4SD242412S16	24.00	24.00	12.00	14	2	Qtr Turn	EP2424	22.20	22.20	2	18	47
EN4SD302412SS	EN4SD302412S16	30.00	24.00	12.00	14	2	Qtr Turn	EP3024	28.20	22.20	3	12	57
EN4SD362412SS	EN4SD362412S16	36.00	24.00	12.00	14	2	Qtr Turn	EP3624	34.20	22.20	3	15	62
EN4SD363012SS	EN4SD363012S16	36.00	30.00	12.00	14	2	Qtr Turn	EP3630	34.20	28.20	3	15	95
EN4SD363612SS	EN4SD363612S16	36.00	36.00	12.00	14	2	Qtr Turn	EP3636	34.20	34.20	3	15	104
EN4SD423612SSR	-	42.00	36.00	12.00	14	5	Qtr Turn	EP4236	40.20	34.20	4	12	121
EN4SD483612SSR	-	48.00	36.00	12.00	14	5	Qtr Turn	EP4836	46.20	34.20	4	14	148
EN4SD603612SSR	-	60.00	36.00	12.00	14	5	Qtr Turn	EP6036	58.20	34.20	4	18	162
EN4SD302416SS	-	30.00	24.00	16.00	14	2	Qtr Turn	EP3024	28.20	22.20	3	12	60
EN4SD363016SS	-	36.00	30.00	16.00	14	2	Qtr Turn	EP3630	34.20	28.20	3	15	89
EN4SD483616SSR	EN4SD483616S16R	48.00	36.00	16.00	14	6	Qtr Turn	EP4836	46.20	34.20	4	14	135

 Technical references and CAD downloads available at www.hammondmfg.com

All dimensions in inches unless specified otherwise

Eclipse Series, Stainless Steel - NEMA 4X Single Window Door Enclosures



Panel
Sold
Separately



Corrosion Resistant

Wallmount Enclosures

Application

- Designed to enclose electrical and/or electronic equipment in wallmount applications where viewing of component operation is necessary while maintaining protection ratings.
- Impressive styling features like hidden hinges and attractive latching systems make the Eclipse a suitable addition to any high-tech equipment installation.
- A wide range of sizes and practical accessories make this product line a complete package.

Standards

- UL 508 Type 3R, 4, 4X and 12
- CSA Type 3R, 4, 4X and 12
- **Complies with**
 - NEMA Type 3R, 4, 4X, 12 and 13
 - IEC 60529, IP66

Construction

- Formed 14 or 16 gauge 304 stainless steel.
- Full view UV resistant polycarbonate window allows maximum viewing area of inner panel.
- Continuously welded seams ground smooth.
- Door stiffeners are provided where required for increased strength and rigidity - designed to also permit additional mounting options.
- Formed lip on enclosure to exclude flowing liquids and contaminants.
- Door latches feature the added safety of quarter turn slot requiring use of tool for opening.
- Doors may be easily removed for modifications and are interchangeable.
- Seamless poured-in place gasket.
- Collar studs provided for mounting inner panel.
- Includes hardware kit with panel mounting nuts and sealing washers for wall mounting holes.
- Bonding stud provided on door and grounding stud installed in enclosure.
- Hinges are constructed from 304 stainless steel.
- Stainless steel hinge pins and quarter turns.

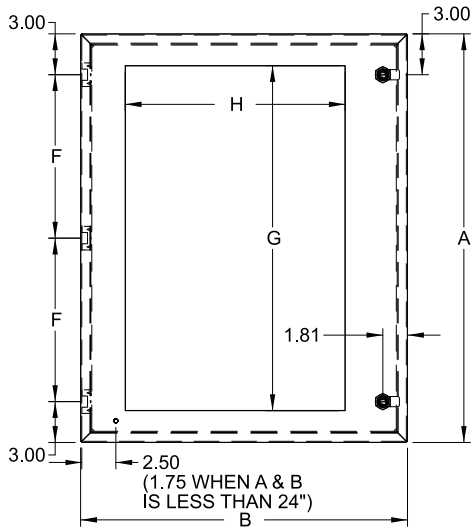
Finish

- Cover and enclosure are natural stainless steel with a smooth brushed finish.

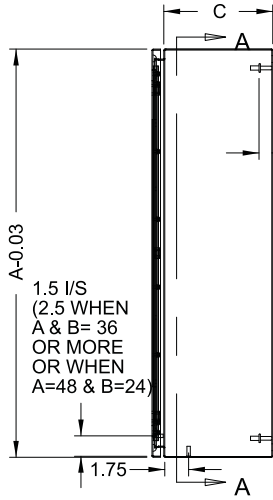
Accessories

- Air conditioners...see page 349-367
- Blowers...see page 392
- Breather kits...see page 400-401
- DIN rails...see page 89
- DIN rail mounting kit...see page 88
- Door stop kit...see page 453
- Door support guide...see page 451
- Drip shield kits...see page 451
- Filter fans...see page 371-384
- Heaters...see page 393-396
- Handles...see page 90
- Inner panel...see page 87
- Quarter turn inserts and keys...see page 89
- Literature pocket...see page 456
- Mounting foot kit...see page 90
- Swing frame...see page 88
- Swing panel...see page 87
- Replacement hinge pins...see page 88
- Replacement quarter turn assemblies...see page 89
- Thermostats...see page 397
- UL/CSA approved hardware kit...see page 433
- Padlock Adaptor (EPA)...see page 90

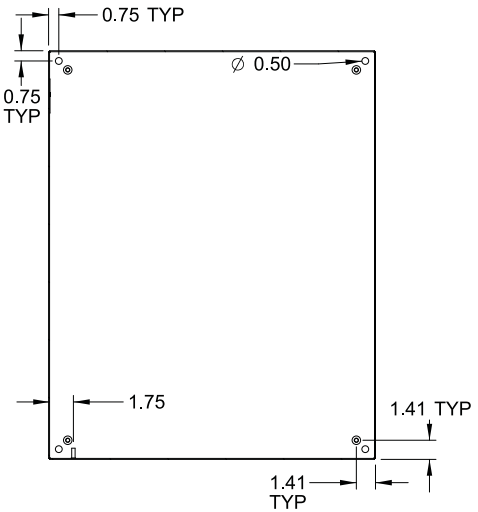
Eclipse Series, Stainless Steel - NEMA 4X Single Window Door Enclosures



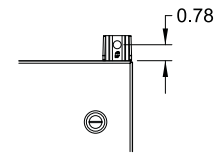
Front View



Side View



SECTION A-A



Mounting Foot Detail

Corrosion Resistant

Wallmount Enclosures

Part No.	Overall Dimensions			Door/ Body Gauge	Latch ¹ Qty	Hinge Qty	Viewing Area			Optional Panel Part No.	Inner Panel Dimensions		Ship Wt. Lbs.
	A	B	C				F	G	H		D	E	
EN4SD12126WSS	12	12	6	16	1	2	10	7.33	6.71	EP1212	10.2	10.2	14
EN4SD16126WSS	16	12	6	16	1	2	10	11.33	6.71	EP1612	14.2	10.2	16
EN4SD20166WSS	20	16	6	16	1	2	14	15.33	10.71	EP2016	18.2	14.2	22
EN4SD20206WSS	20	20	6	16	1	2	14	15.33	14.71	EP2020	18.2	18.2	26
EN4SD20168WSS	20	16	8	16	1	2	14	15.33	10.71	EP2016	18.2	14.2	25
EN4SD20208WSS	20	20	8	16	1	2	14	15.33	14.71	EP2020	18.2	18.2	28
EN4SD24208WSS	24	20	8	16	1	2	18	19.33	14.71	EP2420	22.2	18.2	32
EN4SD24248WSS	24	24	8	14	2	2	18	19.33	16.15	EP2424	22.2	22.2	40
EN4SD30248WSS	30	24	8	14	2	3	12	25.33	16.15	EP3024	28.2	22.2	46
EN4SD161210WSS	16	12	10	16	1	2	10	11.33	6.71	EP1612	14.2	10.2	16
EN4SD201610WSS	20	16	10	16	1	2	14	15.33	10.71	EP2016	18.2	14.2	25
EN4SD202010WSS	20	20	10	16	1	2	14	15.33	14.71	EP2020	18.2	18.2	28
EN4SD242010WSS	24	20	10	16	1	2	18	19.33	14.71	EP2420	22.2	18.2	32
EN4SD242410WSS	24	24	10	14	2	2	18	19.33	16.15	EP2424	22.2	22.2	40
EN4SD302410WSS	30	24	10	14	2	3	12	25.33	16.15	EP3024	28.2	22.2	46
EN4SD202012WSS	20	20	12	16	1	2	18	15.33	14.71	EP2020	18.2	18.2	34
EN4SD302412WSS	30	24	12	14	2	3	12	25.33	16.15	EP3024	28.2	22.2	57

¹ All Window Door latch types are quarter turns.

Eclipse Series, Painted Stainless Steel - NEMA 4X

Single Door Enclosures with 3-Point Handle

Panel
Sold
Separately



Corrosion Resistant

Wallmount Enclosures

Application

- Designed to enclose electrical and/or electronic equipment and protect against harsh, industrial environments for wallmount applications.
- Impressive styling features like hidden hinges and attractive latching systems make the Eclipse a suitable addition to any high-tech equipment installation.
- A wide range of sizes and practical accessories make this product line a complete package.

Standards

- UL 508 Type 3R, 4, 4X and 12
- CSA Type 3R, 4, 4X and 12
- **Complies with**
 - NEMA 3R, 4, 4X, 12 and 13
 - IEC 60529, IP 66

Construction

- Formed 14 gauge 304 stainless steel.
- Continuously welded seams ground smooth.
- Door stiffeners are provided where required for increased strength and rigidity - designed to also permit additional mounting options.
- Formed lip on enclosure to exclude flowing liquids and contaminants.
- Doors are secured with a 3 point Handle in 316 stainless with pad lockable feature.
- Doors may be easily removed for modifications and are interchangeable.
- Seamless poured-in place gasket.
- Collar studs provided for mounting inner panel.
- Includes hardware kit with panel mounting nuts and sealing washers for wall mounting holes.
- Bonding stud provided on door and grounding stud installed in enclosure.
- Stainless steel hinge pins and hinges.

Finish

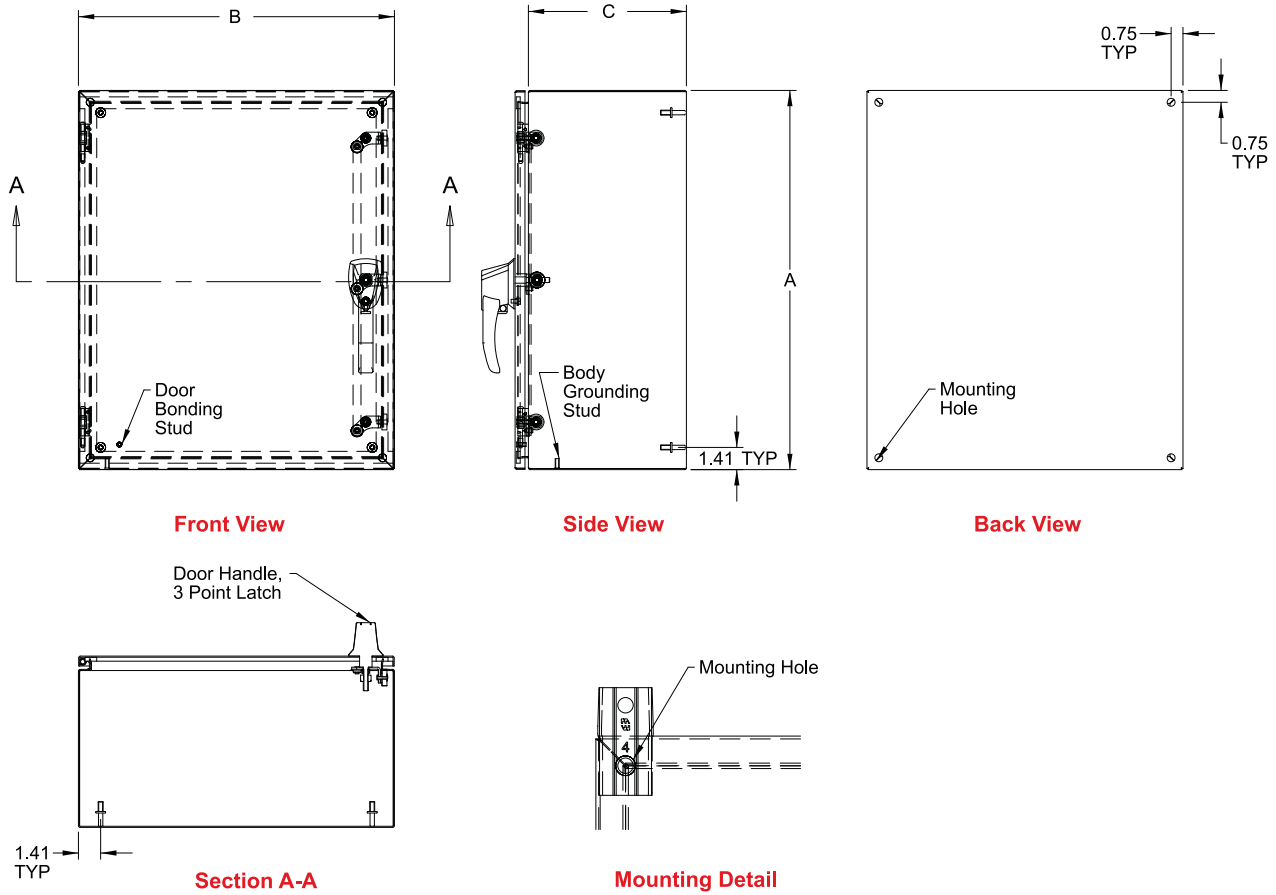
- Cover and enclosure are finished in recoatable smooth RAL 9003 White powder coating inside and out.

Accessories

- Air conditioners...see page **349-367**
- Blowers...see page **392**
- Breather kits...see page **400-401**
- DIN rails...see page **89**
- DIN rail mounting kit...see page **88**
- Door stop kit...see page **453**
- Door support guide...see page **451**
- Drip shield kits...see page **451**
- Filter fans...see page **371-384**
- Heaters...see page **393-396**
- Handles...see page **90**
- Inner panel...see page **87**
- Literature pocket...see page **456**
- Mounting foot kit...see page **90**
- Swing frame...see page **88**
- Swing panel...see page **87**
- Replacement hinge pins
...see page **88**
- Thermostats...see page **397**
- UL/CSA approved hardware kit
...see page **433**

Eclipse Series, Painted Stainless Steel - NEMA 4X

Single Door Enclosures with 3-Point Handle



Corrosion Resistant **Wallmount Enclosures**

Part No.	Overall Dimensions			Door/Body Gauge	Opt. Panel Part No.	Panel Size		No. of Hinges	Ship Wt. Lbs.
	A	B	C			D	E		
EN4SD24248SSWH	24.00	24.00	8.00	14	EP2424	22.20	22.20	2	32
EN4SD30248SSWH	30.00	24.00	8.00	14	EP3024	28.20	22.20	3	46
EN4SD242010SSWH	24.00	20.00	10.00	14	EP2420	22.20	18.20	2	38
EN4SD242412SSWH	24.00	24.00	12.00	14	EP2424	22.20	22.20	2	47
EN4SD363012SSWH	36.00	30.00	12.00	14	EP3630	34.20	28.20	3	99
EN4SD363612SSWH	36.00	36.00	12.00	14	EP3636	34.20	34.20	3	104
EN4SD423612SSWH	42.00	36.00	12.00	14	EP4236	40.20	34.20	4	109
EN4SD483612SSWH	48.00	36.00	12.00	14	EP4836	46.20	34.20	4	124
EN4SD483616SSWH	48.00	36.00	16.00	14	EP4836	46.20	34.20	4	135
EN4SD603612SSWH	60.00	36.00	12.00	14	EP6036	58.20	34.20	4	155

Eclipse Sloped Top Series, Stainless Steel - NEMA 4X

Sloped Top Enclosures



Panel
Sold
Separately



Corrosion Resistant

Wallmount Enclosures

Application

- Designed to enclose electrical and/or electronic equipment and protect against harsh, industrial environments for wallmount applications.
- Sloped top prevents water from resting on top as well as providing potential for controls mounting
- Impressive styling features like hidden hinges and attractive latching systems make the Eclipse a suitable addition to any high-tech equipment installation.
- A wide range of sizes and practical accessories make this product line a complete package.

Standards

- UL 508 Type 3R, 4, 4X and 12
- CSA Type 3R, 4, 4X and 12
- **Complies with**
 - NEMA 3R, 4, 4X, 12 and 13
 - IEC 60529, IP 66

Construction

- Formed 14 gauge 304 stainless steel.
- Continuously welded seams ground smooth.
- Door stiffeners are provided where required for increased strength and rigidity - designed to also permit additional mounting options.
- Formed lip on enclosure to exclude flowing liquids and contaminants.
- Door latches feature the added safety of quarter turn slot requiring use of tool for opening.
- Doors may be easily removed for modifications and are interchangeable.
- Seamless poured-in place gasket.
- Collar studs provided for mounting inner panel.
- Includes hardware kit with panel mounting nuts and sealing washers for wall mounting holes.
- Bonding stud provided on door and grounding stud installed in enclosure.
- Hinges are 304 stainless.
- Stainless steel hinge pins and quarter turns.
- Door alignment guide provided on 36" wide enclosures.

Finish

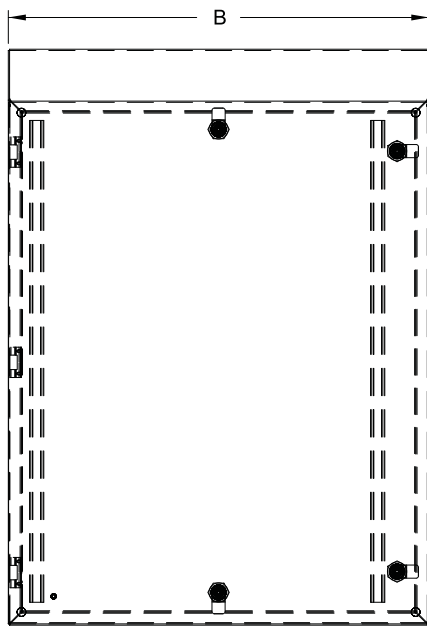
- Cover and enclosure are natural stainless steel with a smooth brushed finish.

Accessories

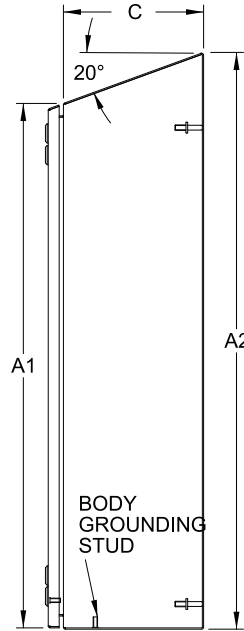
- Air conditioners...see page **349-367**
- Blowers...see page **392**
- Breather kits...see page **400-401**
- DIN rails...see page **89**
- DIN rail mounting kit...see page **88**
- Door stop kit...see page **453**
- Door support guide...see page **451**
- Filter fans...see page **371-384**
- Heaters...see page **393-396**
- Handles...see page **90**
- Inner panel...see page **87**
- Quarter turn inserts and keys ...see page **89**
- Literature pocket...see page **456**
- Mounting foot kit...see page **90**
- Swing frame...see page **88**
- Swing panel...see page **87**
- Replacement hinge pins...see page **88**
- Replacement quarter turn assemblies...see page **89**
- Thermostats...see page **397**
- UL/CSA approved hardware kit ...see page **433**
- Padlock Adaptor (EPA)...see page **90**

Eclipse Sloped Top Series, Stainless Steel - NEMA 4X

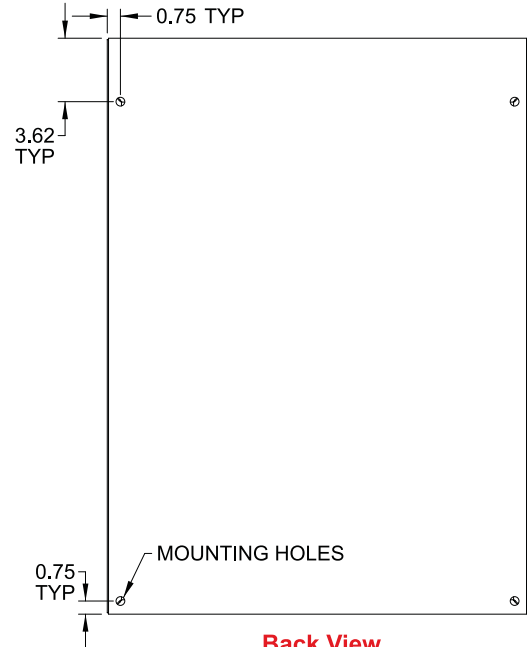
Sloped Top Enclosures



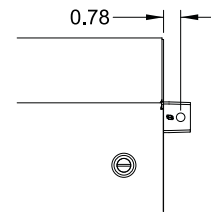
Front View



Side View



Back View



Mounting Foot Detail

Part Number	Dimensions [in]					Door/Body Gauge	Optional Panel Cat. Number	Latch Qty	Hinge Qty
	A1	A2	B	C	F				
ST161208SS	16	18.9	12	8	10	14	EP1612	2	2
ST161608SS	16	18.9	16	8	10	14	EP1616	2	2
ST201608SS	20	22.9	16	8	14	14	EP2016	2	2
ST201612SS	20	24.3	16	12	14	14	EP2016	2	2
ST202008SS	20	22.9	20	8	14	14	EP2020	2	2
ST202012SS	20	24.3	20	12	14	14	EP2020	2	2
ST242008SS	24	26.9	20	8	18	14	EP2420	2	2
ST242408SS	24	26.9	24	8	18	14	EP2424	4	2
ST242412SS	24	28.3	24	12	18	14	EP2424	4	2
ST302408SS	30	32.9	24	8	12	14	EP3024	4	3
ST302412SS	30	34.3	24	12	12	14	EP3024	4	3
ST303008SS	30	32.9	30	8	12	14	EP3030	4	3
ST363008SS	36	38.9	30	8	15	14	EP3630	5	3
ST363012SS	36	40.3	30	12	15	14	EP3630	5	3
ST363016SS	36	41.8	30	16	15	14	EP3630	5	3
ST363612SS	36	40.3	36	12	15	14	EP3636	5	3
ST483616SS	48	53.8	36	16	14	14	EP4836	5	4
ST603616SS*	60	65.8	36	16	18	14	EP6036	5	4

* Back is 10 gauge stainless steel

Technical references and CAD downloads available at www.hammondmfg.com

All dimensions in inches unless specified otherwise

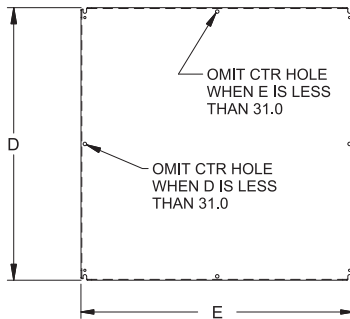
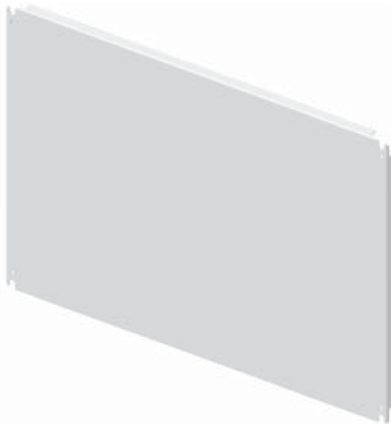
Quality Products. Service Excellence.

Eclipse Series - NEMA 4X

Accessories

Corrosion Resistant

Wallmount Enclosures



Eclipse Inner Panel

- Larger than standard NEMA panel used in same sized enclosure.
- Larger sizes have 2 or 4 formed flanges for added strength.
- Slotted corner design for easier mounting.
- Finished in white or unpainted galvanized.

Mild Steel Part No.	Galvanized Part No.	Size		
		D	E	Gauge
EP1212	EPG1212	10.2	10.2	12
EP1224	EPG1224	10.2	22.2	12
EP1612	EPG1612	14.2	10.2	12
EP1616	EPG1616	14.2	14.2	12
EP1620	EPG1620	14.2	18.2	12
EP2012	EPG2012	18.2	10.2	12
EP2016	EPG2016	18.2	14.2	12
EP2020	EPG2020	18.2	18.2	12
EP2024	EPG2024	18.2	22.2	12
EP2412	EPG2412	22.2	10.2	12
EP2416	EPG2416	22.2	14.2	12
EP2420	EPG2420	22.2	18.2	12
EP2424	EPG2424	22.2	22.2	12
EP2430	EPG2430	22.2	28.2	12
EP2442	EPG2442	22.2	40.2	12
EP2448	EPG2448	22.2	46.2	12
EP3012	EPG3012	28.2	10.2	12
EP3016	EPG3016	28.2	14.2	12
EP3020	EPG3020	28.2	18.2	12
EP3024	EPG3024	28.2	22.2	12

Mild Steel Part No.	Galvanized Part No.	Size		
		D	E	Gauge
EP3030	EPG3030	28.2	28.2	12
EP3036	EPG3036	28.2	34.2	12
EP3042	EPG3042	28.2	40.2	12
EP3048	EPG3048	28.2	46.2	12
EP3060	EPG3060	28.2	58.2	12
EP3624	EPG3624	34.2	22.2	12
EP3630	EPG3630	34.2	28.2	12
EP3636	EPG3636	34.2	34.2	12
EP3642	EPG3642	34.2	40.2	12
EP3648	EPG3648	34.2	46.2	12
EP3660	EPG3660	34.2	58.2	12
EP4224	EPG4224	40.2	22.2	12
EP4230	EPG4230	40.2	28.2	12
EP4236	EPG4236	40.2	34.2	12
EP4824	EPG4824	46.2	22.2	12
EP4830	EPG4830	46.2	28.2	12
EP4836	EPG4836	46.2	34.2	12
EP6036	EPG6036	58.2	34.2	12
EP7230	EPG7230	70.2	28.2	12
EP7236	EPG7236	70.2	34.2	12

Eclipse Swing Panel

- Hinged panel allows access to internally mounted equipment.
- 12 gauge steel construction.
- Slotted quarter turn latches provide closure.
- Adding optional locking quarter turn latches (Part Number EQTRL...see page 89) convert this to a dead front panel.
- Complete with 4-6" depth adjustment channels.
- Hardware kit maintains UL, CSA and NEMA ratings when field installed.
- Finished in white.



Part No.	Fits Enclosure Size (A x B)
ESP1212	12 x 12
ESP1612	16 x 12
ESP1616	16 x 16
ESP2016	20 x 16
ESP2416	24 x 16
ESP1620	16 x 20
ESP2020	20 x 20

Part No.	Fits Enclosure Size (A x B)
ESP2420	24 x 20
ESP3020	30 x 20
ESP2024	20 x 24
ESP2424	24 x 24
ESP3024	30 x 24
ESP3624	36 x 24
ESP3030	30 x 30

Part No.	Fits Enclosure Size (A x B)
ESP3630	36 x 30
ESP3636	36 x 36
ESP4236	42 X 36
ESP4824	48 X 24
ESP4836	48 X 36
ESP6036	60 X 36

Eclipse Series - NEMA 4X Accessories



Eclipse Replacement Hinge Pins

- These are supplied with enclosure but offered here as replacements should originals be misplaced.
- Packaged in quantities of 5.

Part No.	Material
EPINSS	Stainless steel hinge pin



Eclipse Swing Frame

- Provides 19" rack mounting with full EIA spacing (punched holes).
- Hinges allow easy equipment access.
- Slotted quarter turn latches provide closure.
- Adding optional locking quarter turn latches (**EQTRL...**...see page 89) provides added security.
- Complete with 4-6" depth adjustment channels.

- Order package of 25 clip nuts separately (Part No. **1421N25**).
- Hardware kit maintains UL, CSA and NEMA ratings when field installed.
- Finished in black.



Part No.	Fits Enclosure		Rack Spacing	
	Size (A x B)	Width	Height (Units)	
ESF2424	24 x 24	19	11	
ESF3024	30 x 24	19	14	
ESF3624	36 x 24	19	17	

Corrosion Resistant

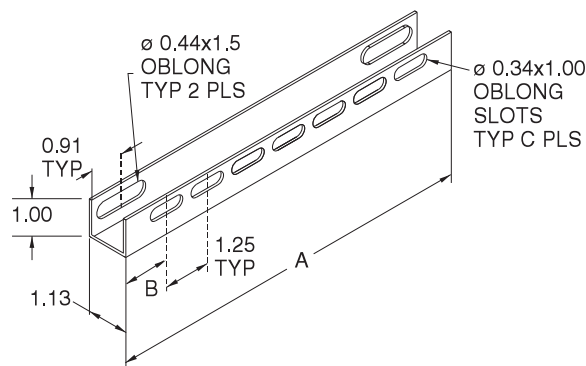
Wallmount Enclosures



DIN Rail Mounting Kit

- Field installable.
- Mounts directly to panel collar studs (panel not required).
- Accepts optional DIN rails, see below.
- DIN rails available separately.
- Zinc plated, yellow dichromate.

Part No.	A	B	C
2DMK12	10	1.25	7
2DMK16	14	0.75	11
2DMK20	18	0.88	14
2DMK24	22	1.00	17
2DMK30	28	0.88	22



Technical references and CAD downloads available at www.hammondmfg.com

All dimensions in inches unless specified otherwise

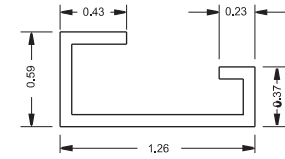
Quality Products. Service Excellence.

Eclipse Series - NEMA 4X Accessories

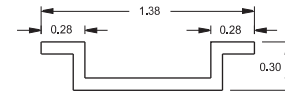


DIN Rails

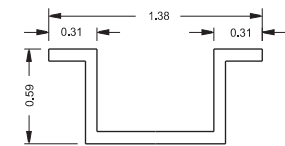
- Field installable.
- Includes a set of 3 plated rails.
- Available in 3 industry standard profiles - DIN 1, DIN 3, and CENELEC.
- DIN rail mounting kit required for installation (see above).
- Rails have a 0.28 x 1.25 oblong slot on each end.
- Zinc plated.



Asymmetric DIN 1 Pro



Symmetric DIN 3 Pro



CENELEC Pro

Asymmetric Din 1 Profile Part No.	Symmetric Din 3 Profile Part No.	Cenelec Profile Part No.	Length
2D1K12	2D2K12	2DCK12	9.25
2D1K16	2D2K16	2DCK16	13.25
2D1K20	2D2K20	2DCK20	17.25
2D1K24	2D2K24	2DCK24	21.25
2D1K30	2D2K30	2DCK30	27.25

Corrosion Resistant

Wallmount Enclosures



Quarter Turn Inserts and Keys

- Field installable inserts replace standard quarter turn slot.
- Available in 7mm square and triangle formats, as well as slotted.
- Square and triangle inserts provide extra security since standard screw drivers cannot open.
- Keys sold separately from inserts.
- Maintains NEMA, UL and CSA 12, 4 and 4X ratings.

Part No.	Description
2SQI7	7mm square insert, black
2SQK7	7mm square key, fits 2SQI7
2TRI7	7mm triangle insert, black
2TRK7	7mm triangle key, fits 2TRI7
2SLI	Slotted insert, black



Replacement Quarter Turn Assemblies

- Field installable.
- Interchangeable with standard quarter turn latches.
- Maintains NEMA, UL and CSA ratings as noted.

Part No.	Description	Material	NEMA Rating
EQTRL ¹	Locking Qtr Turn	Zinc Die/Chrome	n/a (internal use only)
2QTR	Slotted Qtr Turn	Zinc Die/Black	12, 4
2SSQTR	Slotted Qtr Turn	Stainless steel	12, 4, 4X
2WKL	Wing knob lock	Zinc Die/Black	12, 4
2QPL	Padlockable quarter turn latch	Zinc Die/Black	12, 4

¹ For use with Swing Frame/Panel. ...see page 78. All others for use with enclosures.

Eclipse Series - NEMA 4X Accessories



Handles

- Field installable.
- Interchangeable with standard quarter turn latches.
- Maintain NEMA, UL and CSA ratings as noted.

Part No.	Description	Material	NEMA Rating
EHTL	Locking T Handle	Zinc Die/Black	12, 4
EHLL	Locking L Handle	Zinc Die/Black	12, 4
EHLPL	Padlockable L Handle	Zinc Plated	12
EHLPLSS	Padlockable L Handle	316 Stainless Steel	12, 4, 4X
EHLNLS	Non Locking L Handle	316 Stainless Steel	12, 4, 4X
EHLSS	Locking L Handle	316 Stainless Steel	12, 4, 4X



Eclipse Mounting Foot Kit

- Maintains UL, CSA and NEMA ratings.
- Field installable.
- New triangular flanges prevent the foot from rotating
- Foot can still be mounted sideways as well as top/bottom
- Available in mild, 304SS and 316SS
- Packaged in quantities of four

Part No.	Material
EZPMFHD	Clear Zinc Plated, mild steel
ESSMFHD	Type 304 Stainless
ES16MFHD	Type 316 Stainless



Eclipse Padlock Adaptor

- For use with EN4SD Series Enclosures.
- Padlock adaptor fits directly over the slotted quarter turn preventing access.
- 2mm thick 14 gauge stainless steel.
- Stainless steel mounting hardware provided
- Once installed, the bolts cannot be removed without the door open.
- Easy installed in the field.
- Padlock not included.
- Maintains UL/CSA Type 4, 4X rating.

Part No.	EPA



Eclipse Rear Mounting Hole Plugs

- Used to plug rear mounting holes for Eclipse series
- Snap in plug designed for rear .50" mounting hole
- Packaged in quantities of 40

Part No.	EN4PLUG40

1418 Series Stainless Steel Enclosures - NEMA 4X

Single Door, Continuous Hinge, Clamped Cover



**Inner
Panel
Included**



Finish

- Cover and enclosure are natural stainless steel with a smooth brushed finish.
- Removable inner panel is finished in white powder coating.

Accessories

- Additional inner panels...see page [436](#)
- Air conditioners...see page [349-367](#)
- Blowers...see page [392](#)
- Breather kits...see page [400-401](#)
- Door clamping hardware
...see page [429](#)
- Door stop kits...see page [453](#)
- Door support guide...see page [451](#)
- Drip shield kits...see page [451](#)
- Enclosure stabilizers...see page [456](#)
- Filter fans...see page [371-384](#)
- Floor stand kits...see page [453](#)
- Heaters...see page [393-396](#)
- Lock kit...see page [431](#)
- Louvered ventilating plates
...see page [402](#)
- Quick release clamp...see page [429](#)
- Terminal kit assemblies
...see page [441](#)
- Thermostats...see page [397](#)
- Window kits...see page [449](#)

Application

- Designed for use as instrument enclosures, electric, hydraulic or pneumatic control housings, electrical junction boxes or terminal wiring enclosures.
- Provides protection where equipment may be hosed down or otherwise be very wet, or in specific applications where corrosion is a serious problem.

- Door is secured with easily operated stainless steel clamps.
- Provision for padlocking.
- Seamless poured-in place gasket.
- A removable 12 gauge inner panel is included.
- Collar studs are provided for mounting inner panels.
- A bonding stud is provided on the door and a grounding stud is provided in the enclosure.
- A literature pocket is provided for the inside of the door.

Standards

- UL 508 Type 3R, 4, 4X, and 12
- CSA Type 3R, 4, 4X, and 12
- **Complies with**
 - NEMA Type 3R, 4, 4X, 12 and 13
 - JIC EGP-1-1967 unless marked¹
 - IEC 60529, IP66

Construction

- Formed 14 gauge 304 or 316 stainless steel bodies and doors.
- Smooth, continuously welded seams without knockouts, cutouts or holes.
- Door and body stiffeners are provided in the larger enclosures for extra rigidity.
- Welded brackets provide for enclosure mounting.
- Formed lip on door and enclosure excludes flowing liquids and contaminants.
- Stainless steel continuous hinge on door may be removed by pulling the stainless steel hinge pin.

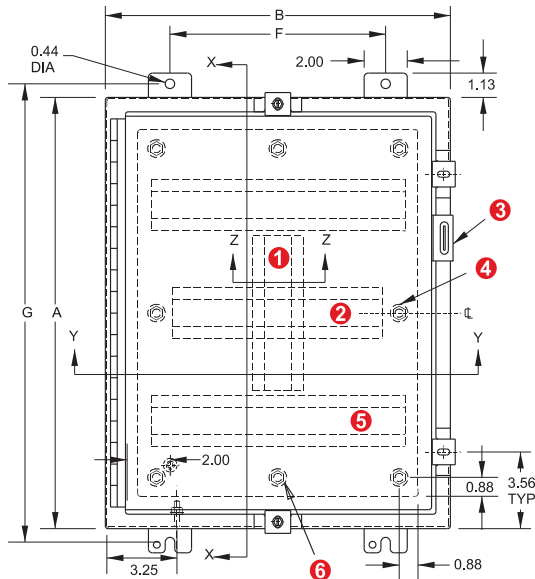
304 S.S. Part Number	316 S.S. Part Number	A	B	C	Panel Size		Mtg. Centers		Ship Wt. lbs.
					D	E	F	G	
1418N4SSB6 ²	1418N4S16B6 ²	16	12	6	13	9	9.5	17.25	28
1418N4SSG6 ²	1418N4S16G6 ²	16	16	6	13	13	10.0	17.25	30
1418N4SSCR6 ²	1418N4S16CR6 ²	16	20	6	13	17	14.0	17.25	38
1418N4SSC6 ²	1418N4S16C6 ²	20	16	6	17	13	10.0	21.25	38
1418N4SSD6 ²	1418N4S16D6 ²	20	20	6	17	17	14.0	21.25	40
1418N4SSE6	1418N4S16E6	24	20	6	21	17	14.0	25.25	61
1418N4SSJ6	1418N4S16J6	24	24	6	21	21	18.0	25.25	65
1418N4SSB8	1418N4S16B8	16	12	8	13	9	9.5	17.25	32
1418N4SSC8 ²	1418N4S16C8 ²	20	16	8	17	13	10.0	21.25	38
1418N4SSD8 ²	1418N4S16D8 ²	20	20	8	17	17	14.0	21.25	52
1418N4SSER8	1418N4S16ER8	20	24	8	17	21	18.0	21.25	61
1418N4SSH8	1418N4S16H8	24	16	8	21	13	10.0	25.25	61
1418N4SSE8	1418N4S16E8	24	20	8	21	17	14.0	25.25	61
1418N4SSJ8	1418N4S16J8	24	24	8	21	21	18.0	25.25	75
1418N4SSKR8	1418N4S16KR8	24	30	8	21	27	24.0	25.25	89
1418N4SSF8	1418N4S16F8	30	20	8	27	17	14.0	31.25	72
1418N4SSK8	1418N4S16K8	30	24	8	27	21	18.0	31.25	89
1418N4SSKK8	1418N4S16KK8	30	30	8	27	27	24.0	31.25	100
1418N4SSL8	1418N4S16L8	36	24	8	33	21	18.0	37.25	100
1418N4SSM8	1418N4S16M8	36	30	8	33	27	24	37.25	121

Technical references and CAD downloads available at www.hammondmfg.com

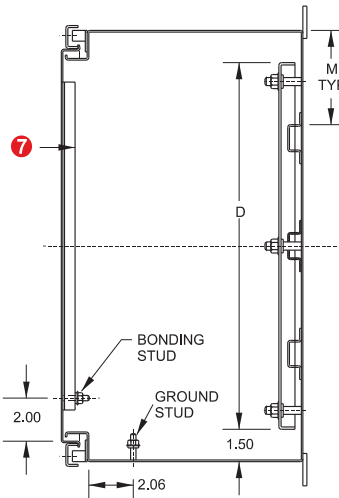
All dimensions in inches unless specified otherwise

1418 Series Stainless Steel Enclosures - NEMA 4X

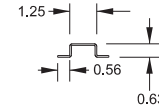
Single Door, Continuous Hinge, Clamped Cover



Front View

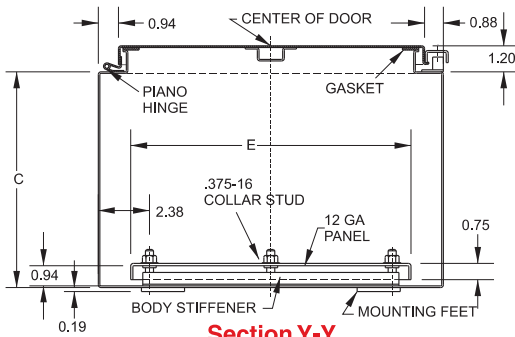


Side View



Section Z-Z

When A=	M=
30	7.00
36	9.00
42	9.88
48	11.38
60	14.38
72	17.38



Section Y-Y

- 1 Vertical stiffener required on KK, LL & M only.
- 2 Omit center body stiffener if A is less than 41".
- 3 Padlocking hasp and staple.
- 4 Omit 2 middle studs if A is less than 31".
- 5 Omit body stiffeners if A or B is less than 29".
- 6 Omit 2 middle studs if B is less than 31".
- 7 Omit door stiffener if A or B is less than 31" except if AxB is 42"x30".

Literature pocket supplied loose.
Number of door clamps varies to enclosure size.

304 S.S. Part Number	316 S.S. Part Number	A	B	C	Panel Size D	Panel Size E	Mtg. Centers F	Mtg. Centers G	Ship Wt. lbs.
1418N4SSP8 ¹	1418N4S16P8 ¹	42	36	8	39	33	30	43.25	177
1418N4SSS8 ¹	1418N4S16S8 ¹	48	36	8	45	33	30	49.25	207
1418N4SSC10	1418N4S16C10	20	16	10	17	13	10	21.25	47
1418N4SSE10	1418N4S16E10	24	20	10	21	17	14	25.25	66
1418N4SSK10	1418N4S16K10	30	24	10	27	21	18	31.25	120
1418N4SSL10	1418N4S16L10	36	24	10	33	21	18	37.25	108
1418N4SSM10	1418N4S16M10	36	30	10	33	27	24	37.25	125
1418N4SSO10 ¹	1418N4S16O10 ¹	42	30	10	39	27	24	43.25	175
1418N4SSS10 ¹	1418N4S16S10 ¹	48	36	10	45	33	30	49.25	215
1418N4SSJ12	1418N4S16J12	24	24	12	21	21	18	25.25	71
1418N4SSK12	1418N4S16K12	30	24	12	27	21	18	31.25	95
1418N4SSM12	1418N4S16M12	36	30	12	33	27	24	37.25	136
1418N4SSLL12 ¹	1418N4S16LL12 ¹	36	36	12	33	33	30	37.25	202
1418N4SSS12 ¹	1418N4S16S12 ¹	48	36	12	45	33	30	49.25	225
1418N4SST12 ¹	1418N4S16T12 ¹	60	36	12	57	33	30	61.25	270
1418N4SSK16	1418N4S16K16	30	24	16	27	21	18	31.25	100
1418N4SSM16	1418N4S16M16	36	30	16	33	27	24	37.25	149
1418N4SSS16 ¹	1418N4S16S16 ¹	48	36	16	45	33	30	49.25	290
1418N4SST16 ¹	1418N4S16T16 ¹	60	36	16	57	33	30	61.25	280

¹ Does not meet JIC requirements ² Flat panel

Corrosion Resistant Wallmount Enclosures

HN4 Series Stainless Steel Two Door - NEMA 4X

Continuous Hinge, 3pt Handle



Inner
Panel
Included



Corrosion Resistant

Wallmount Enclosures

Application

- Designed to house electrical, electronic, hydraulic or pneumatic controls and instruments.
- Provides protection where equipment may be hosed down or otherwise be very wet, or in specific applications where corrosion is a serious problem.

Standards

- UL 508 Type 3R, 4X, and 12
- CSA Type 3R, 4X, and 12
- **Complies with**
 - NEMA Type 3R, 4X, 12 and 13
 - IEC 60529, IP66

Construction

- Formed 12 gauge 304 or 316 stainless steel.
- Smooth, continuously welded seams without knockouts, cutouts or holes.
- Doors are supported with heavy gauge continuous hinges.
- 3-pt padlocking door handle.
- Seamless poured-in place gasket.
- A grounding stud is provided in the enclosure and a bonding stud is provided on the door.
- Center post is removable for easy installation of the inner panel.

Finish

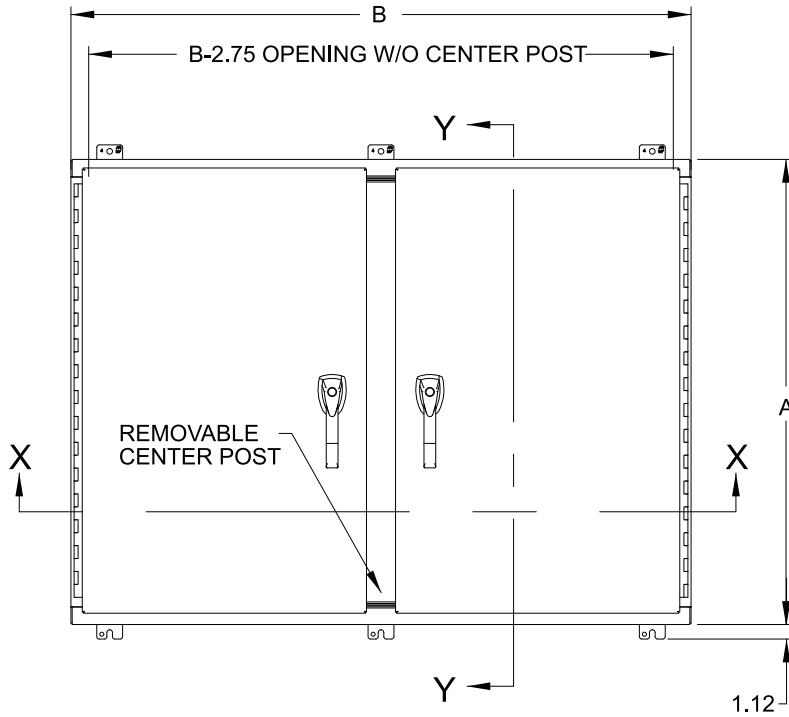
- Cover and enclosure are natural stainless steel with a smooth brushed finish.
- Removable inner panel is finished in white powder coating.

Accessories

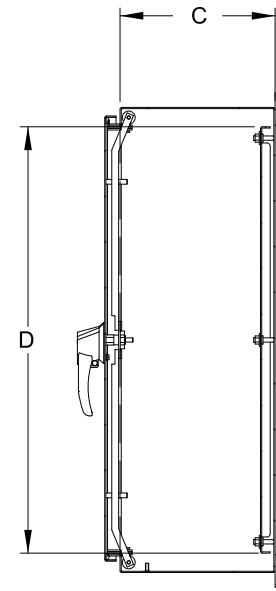
- Breather kits...see page **400-401**
- Door clamping hardware
...see page **429**
- Door stop kits...see page **453**
- Drip shield kits...see page **451**
- Door support guide...see page **451**
- Louvered ventilating plates
...see page **402**
- Thermostats...see page **397**
- Window kits...see page **449**

HN4 Series Stainless Steel Two Door - NEMA 4X

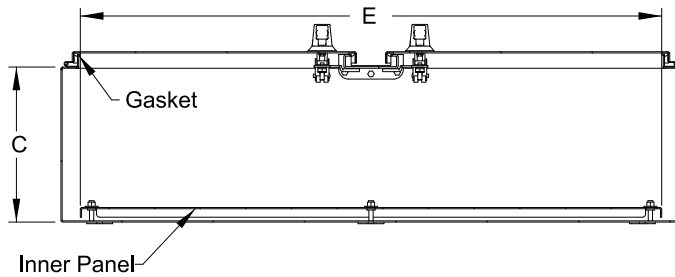
Continuous Hinge, 3pt Handle



Front View



Section Y-Y



Section X-X

304 S.S. Part Number	316 S.S. Part Number	A	B	C	Panel Size	
		D	E			
HN4WM24428SS	HN4WM24428S16	24	42	8	21	39
HN4WM24488SS	HN4WM24488S16	24	48	8	21	45
HN4WM304210SS	HN4WM304210S16	30	42	10	27	39
HN4WM304810SS	HN4WM304810S16	30	48	10	27	45
HN4WM306010SS	HN4WM306010S16	30	60	10	27	57
HN4WM364212SS	HN4WM364212S16	36	42	10	33	39
HN4WM364812SS	HN4WM364812S16	36	48	12	33	45
HN4WM366012SS	HN4WM366012S16	36	60	12	33	57
HN4WM424212SS	HN4WM424212S16	42	42	12	39	39
HN4WM424812SS	HN4WM424812S16	42	48	12	39	45
HN4WM426012SS	HN4WM426012S16	42	60	12	38	56
HN4WM484812SS	HN4WM484812S16	48	48	12	44	44

Technical references and CAD downloads available at www.hammondmfg.com

All dimensions in inches unless specified otherwise

Quality Products. Service Excellence.

1422 Series Stainless Steel Two Door Floor Mount - NEMA 4X

Continuous Hinge



Corrosion Resistant Floormount Enclosures

Application

- Designed to house electrical, electronic, hydraulic or pneumatic controls and instruments.
- Provides protection where equipment may be hosed down or otherwise be very wet, or in specific applications where corrosion is a serious problem.

Standards

- UL 508 Type 3R, 4, 4X, and 12
- CSA Type 3R, 4, 4X, and 12
- **Complies with**
 - NEMA Type 3R, 4, 4X, 12 and 13
 - JIC EGP-1-1967
 - IEC 60529, IP66

Construction

- Formed 12 gauge 304 or 316 stainless steel.
- Smooth, continuously welded seams without knockouts, cutouts or holes.
- Body stiffeners are provided in the larger enclosures for extra rigidity.
- Heavy duty stainless steel lifting eyebolts are provided with reinforcing support angles.
- Center post is removable for easy installation of the inner panel.
- Formed lip on door and top of enclosure opening exclude flowing liquids and contaminants.
- Continuously hinged doors may be removed by pulling the stainless steel hinge pin.
- Doors are secured with heavy duty stainless steel clamps.
- Provision for padlocking.
- 12" floor stands are welded to the enclosure.
- Seamless poured-in place gasket.
- Panel supports are provided for easy panel installation.
- Collar studs are provided for mounting inner panels.
- A bonding stud is provided on the door and a grounding stud is provided in the enclosure for each door.
- A literature pocket is provided.

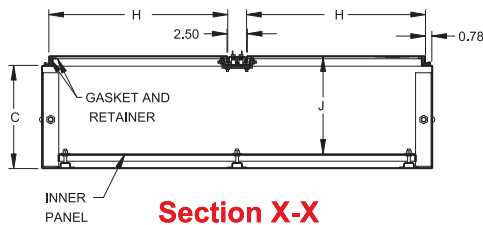
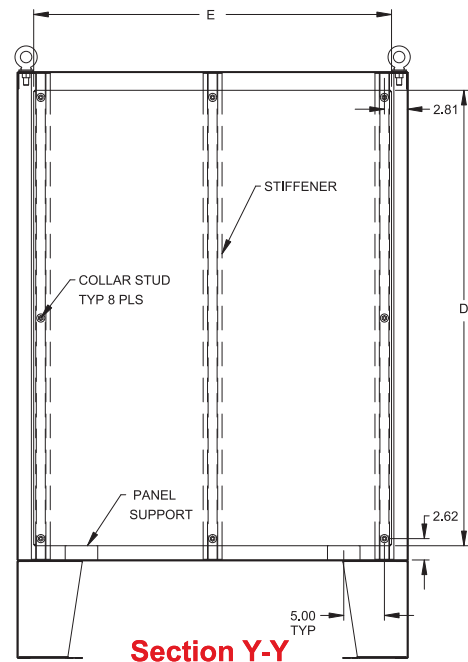
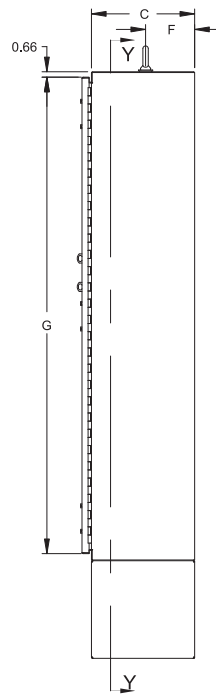
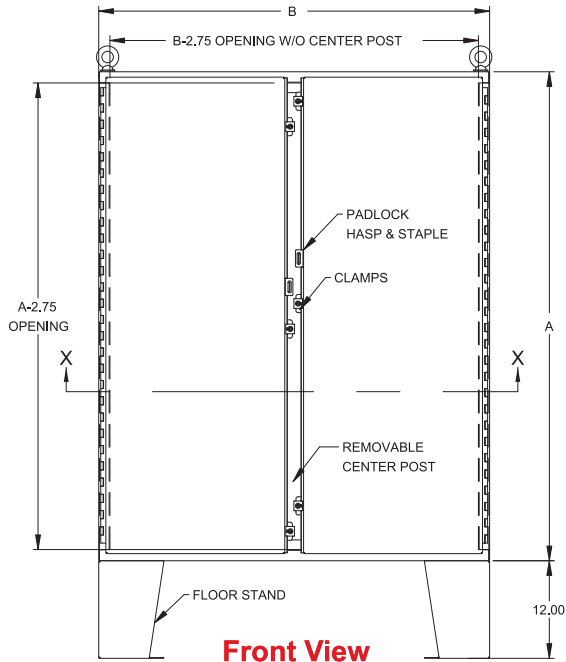
Finish

- Cover and enclosure are natural stainless steel with a smooth brushed finish.
- Removable inner panel is finished in white powder coating.

Accessories

- Breather kits...see page **400-401**
- Door clamping hardware
...see page **429**
- Door stop kits...see page **453**
- Door support guide...see page **451**
- Drip shield kits...see page **451**
- Louvered ventilating plates
...see page **402**
- Quick release clamp...see page **429**
- Thermostats...see page **397**
- Window kits...see page **449**

1422 Series Stainless Steel Two Door Floor Mount - NEMA 4X Continuous Hinge



Corrosion Resistant **Floormount Enclosures**

304 S.S. Part Number	316 S.S. Part Number	A	B	C	Body Gauge	Panel Gauge	Panel Size		D	F	G	H	J	Ship Wt. lbs.
1422N4SSB12F	1422N4S16B12F	60.13	48.06	12.69	12	10	56	44	56	6.3	58.59	22	11.87	491
1422N4SSD12F	1422N4S16D12F	60.13	60.06	12.69	12	10	56	56	56	6.3	58.59	28	11.87	567
1422N4SSE12F	1422N4S16E12F	72.13	60.06	12.69	12	10	68	56	68	6.3	70.59	28	11.87	645
1422N4SSF12F	1422N4S16F12F	72.13	72.06	12.69	12	10	68	68	68	6.3	70.59	34	11.87	750
1422N4SSF24F	1422N4S16F24F	72.13	72.06	24.69	12	10	68	68	68	12.3	70.59	34	23.87	945

Technical references and CAD downloads available at www.hammondmfg.com

All dimensions in inches unless specified otherwise

Quality Products. Service Excellence.

1422 Series Stainless Steel Two Door Floor Mount - NEMA 4X

Quarter Turn Latches

Corrosion Resistant Floormount Enclosures



Application

- Designed to house electrical, electronic, hydraulic or pneumatic controls and instruments.
- Provides protection where equipment may be hosed down or otherwise be very wet, or in specific applications where corrosion is a serious problem.

Standards

- UL 508 Type 3R, 4, 4X, and 12
- CSA Type 3R, 4, 4X, and 12
- **Complies with**
 - NEMA Type 3R, 4, 4X, 12 and 13
 - JIC EGP-1-1967
 - IEC 60529, IP66

Construction

- Formed 12 gauge 304 or 316 stainless steel.
- Smooth, continuously welded seams without knockouts, cutouts or holes.
- Body stiffeners are provided in the larger enclosures for extra rigidity.
- Heavy duty stainless steel lifting eyebolts are provided with reinforcing support angles.
- Center post is removable for easy installation of the inner panel.
- Formed lip on door and top of enclosure opening exclude flowing liquids and contaminants.
- Continuously hinged doors may be removed by pulling the stainless steel hinge pin.
- Doors are secured with quarter turn latches.
- Provision for padlocking.
- 12" floor stands are welded to the enclosure.
- Seamless poured-in place gasket.
- Panel supports are provided for easy panel installation.
- Collar studs are provided for mounting inner panels.
- A bonding stud is provided on the door and a grounding stud is provided in the enclosure for each door.
- A literature pocket is provided.

Finish

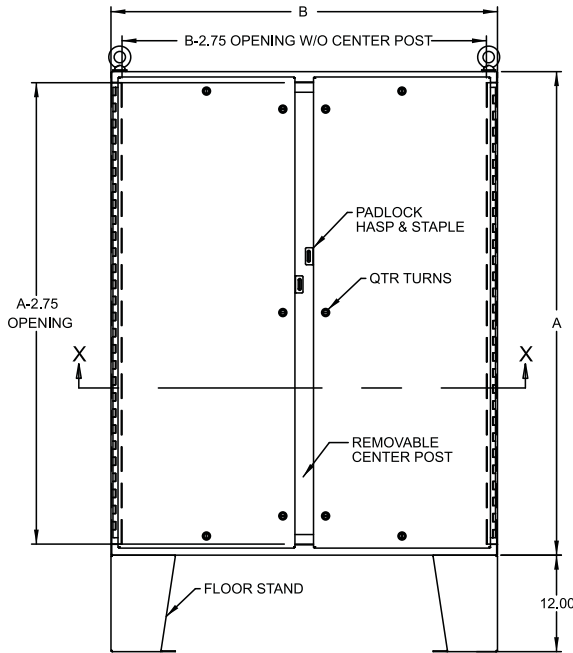
- Cover and enclosure are natural stainless steel with a smooth brushed finish.
- Removable inner panel is finished in white powder coating.

Accessories

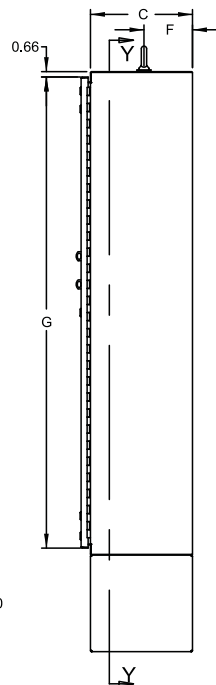
- Breather kits...see page **400-401**
- Door clamping hardware
...see page **429**
- Door stop kits...see page **453**
- Door support guide...see page **451**
- Drip shield kits...see page **451**
- Louvered ventilating plates
...see page **402**
- Quick release clamp...see page **429**
- Thermostats...see page **397**
- Window kits...see page **449**

1422 Series Stainless Steel Two Door Floor Mount - NEMA 4X

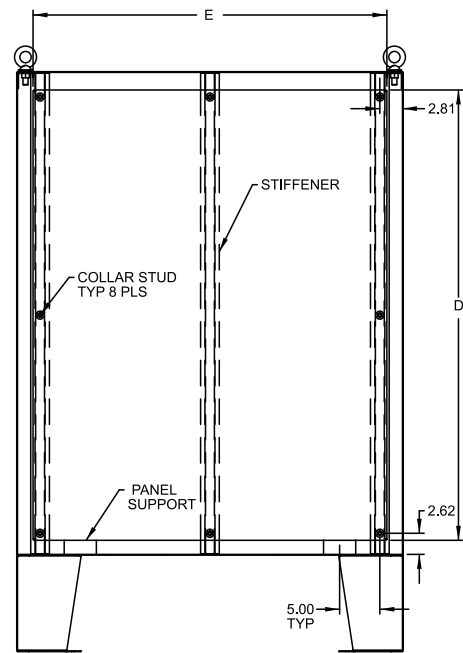
Quarter Turn Latches



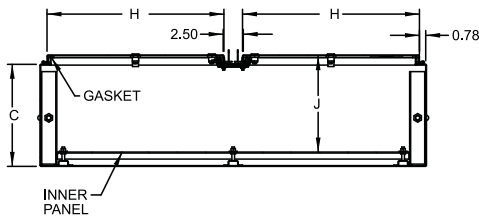
Front View



Side View



Section Y-Y



Section X-X

Corrosion Resistant

Floormount Enclosures

304 S.S. Part Number	316 S.S. Part Number	A	B	C	Body Gauge	Panel Gauge	Panel Size		D	F	G	H	J	Ship Wt. lbs.
1422N4SSB12FQT	1422N4S16B12FQT	60.13	48.06	12.69	12	10	56	44	6.3	58.59	22	11.87	491	
1422N4SSD12FQT	1422N4S16D12FQT	60.13	60.06	12.69	12	10	56	56	6.3	58.59	28	11.87	567	
1422N4SSE12FQT	1422N4S16E12FQT	72.13	60.06	12.69	12	10	68	56	6.3	70.59	28	11.87	645	
1422N4SSF12FQT	1422N4S16F12FQT	72.13	72.06	12.69	12	10	68	68	6.3	70.59	34	11.87	750	
1422N4SSF24FQT	1422N4S16F24FQT	72.13	72.06	24.69	12	10	68	68	12.3	70.59	34	23.87	945	

Technical references and CAD downloads available at www.hammondmfg.com

All dimensions in inches unless specified otherwise

Quality Products. Service Excellence.

HN4 Series Stainless Steel Two Door Floor Mount - NEMA 4X

Continuous Hinge, 3pt Handle



**Inner
Panel
Included**



Corrosion Resistant Floormount Enclosures

Application

- Designed to house electrical, electronic, hydraulic or pneumatic controls and instruments.
- Provides protection where equipment may be hosed down or otherwise be very wet, or in specific applications where corrosion is a serious problem.

Standards

- UL 508 Type 3R, 4X, and 12
- CSA Type 3R, 4X, and 12
- **Complies with**
 - NEMA Type 3R, 4X, 12 and 13
 - IEC 60529, IP66

Construction

- Formed 12 gauge 304 or 316 stainless steel.
- Smooth, continuously welded seams without knockouts, cutouts or holes.
- Heavy duty stainless steel lifting eyebolts are provided with reinforcing support angles.
- Doors are supported with heavy gauge continuous hinges.
- New 3-pt padlocking door handle.
- Seamless poured-in place gasket.
- A grounding stud is provided in the enclosure and a bonding stud is provided on the door.
- Center post is removable for easy installation of the inner panel.
- 12" floor stands are welded to the enclosure.

Finish

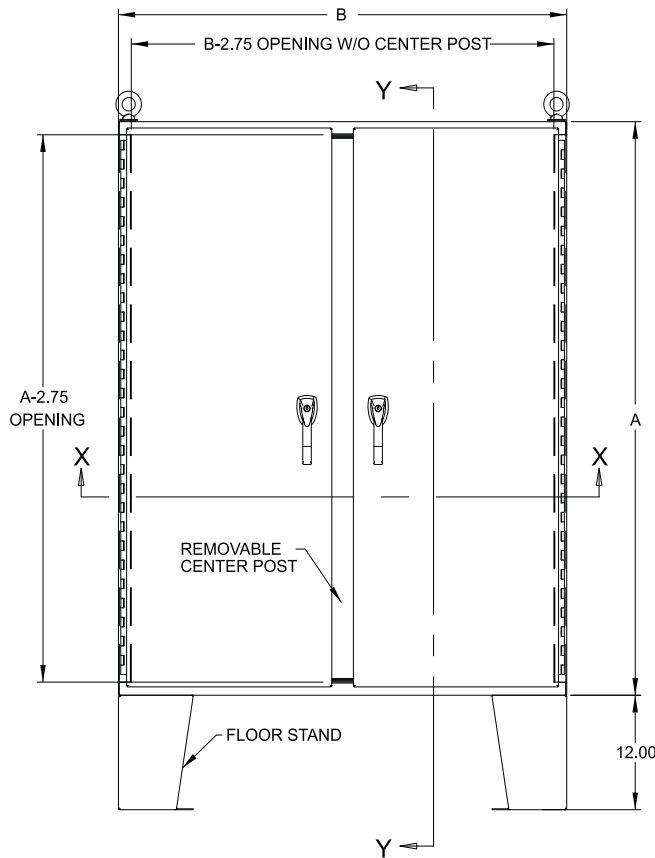
- Cover and enclosure are natural stainless steel with a smooth brushed finish.
- Removable inner panel is finished in white powder coating.

Accessories

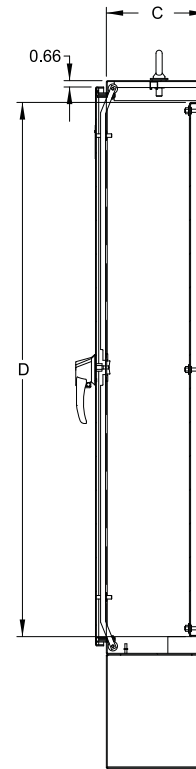
- Breather kits...see page **400-401**
- Door clamping hardware
...see page **429**
- Door stop kits...see page **453**
- Door support guide...see page **451**
- Drip shield kits...see page **451**
- Louvered ventilating plates
...see page **402**
- Thermostats...see page **397**
- Window kits...see page **449**

HN4 Series Stainless Steel Two Door Floor Mount - NEMA 4X

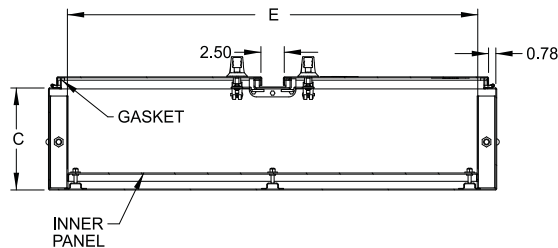
Continuous Hinge, 3pt Handle



Front View



Section Y-Y



Section X-X

Corrosion Resistant
Floormount Enclosures

304 S.S. Part Number	316 S.S. Part Number	Overall Dimensions			Inner Panel (Included)	
		A	B	C	D	E
HN4FM604812SS	HN4FM604812S16	60.13	48.06	12.69	56.00	44.00
HN4FM604818SS	HN4FM604818S16	60.13	48.06	18.69	56.00	44.00
HN4FM606012SS	HN4FM606012S16	60.13	60.06	12.69	56.00	56.00
HN4FM726012SS	HN4FM726012S16	72.13	60.06	12.69	68.00	56.00
HN4FM727212SS	HN4FM727212S16	72.13	72.06	12.69	68.00	68.00
HN4FM727224SS	HN4FM727224S16	72.13	72.06	24.69	68.00	68.00

Technical references and CAD downloads available at www.hammondmfg.com

All dimensions in inches unless specified otherwise

Quality Products. Service Excellence.

1418 Series Stainless Steel Freestanding Enclosures - NEMA 4X

Single Door



Panel
Sold
Separately



Corrosion Resistant Freestanding Enclosures

Application

- Designed to house electrical, electronic, hydraulic or pneumatic controls with provision for panel mounting or rack mounting of equipment.
- Provides protection where equipment may be hosed down or otherwise be very wet, or in specific applications where corrosion is a serious problem.
- A variety of inner panels, rack mounting rails and swing out frames are available to provide flexibility in mounting arrangements.

Standards

- UL 508 Type 3R, 4, 4X and 12
- CSA Type 3R, 4, 4X and 12
- **Complies with**
 - NEMA Type 3R, 4, 4X, 12 and 13
 - IEC 60529, IP66

Construction

- Formed 12 gauge 304 or 316 stainless steel.
- Smooth, continuously welded seams without knockouts, cutouts or holes.
- Heavy duty stainless steel lifting eyebolts are provided with reinforcing support angles.
- Doors are supported with heavy gauge continuous hinges.
- Doors are secured with heavy duty stainless steel clamps and padlocking hasp.
- Seamless poured-in place gasket.
- Mounting channels are welded on the inside of the enclosure for mounting of optional inner panels or rack equipment rails.
- A grounding stud is provided in the enclosure and a bonding stud is provided on the door.

Finish

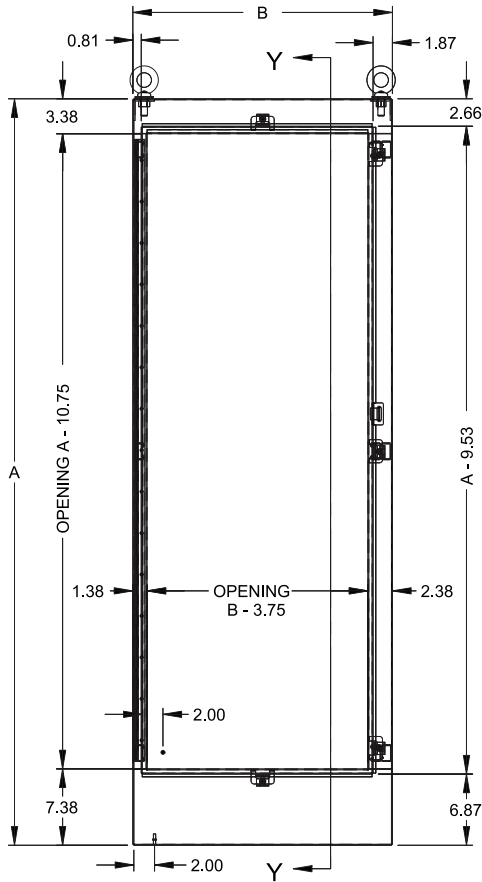
- Cover and enclosure are natural stainless steel with a smooth brushed finish.
- Optional inner panels are finished in white powder paint.

Accessories

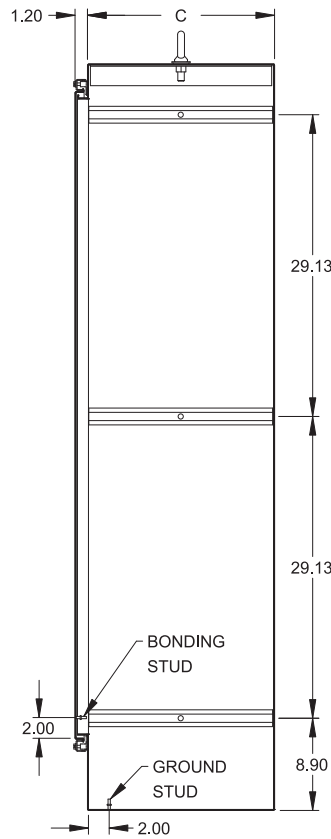
- Air conditioners...see page **349-367**
- Breather kits...see page **400-401**
- Door stop kits...see page **453**
- Door support guide...see page **451**
- Drip shield kits...see page **451**
- Filter fans...see page **371-384**
- Heaters...see page **393-396**
- Inner panels...see page **107**
- Light kit...see page **452**
- Panel rails...see page **107**
- Swing frames...see page **108**
- Thermostats...see page **397**
- Window kits...see page **449**

1418 Series Stainless Steel Freestanding Enclosures - NEMA 4X

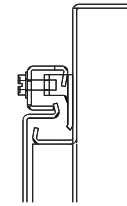
Single Door



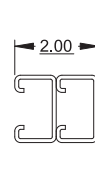
Front View



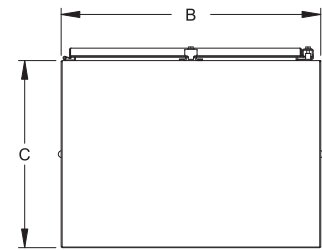
Section Y-Y



Top Lid Detail



Strut Detail - Right Side



Bottom View

Corrosion Resistant Freestanding Enclosures

304 S.S. Part Number	316 S.S. Part Number	A	B	C	Optional Full Panel	Ship Wt. lbs.
1418N4SSW18	1418N4S16W18	72.06	25.06	18.06	72WFW	290
1418N4SSX24	1418N4S16X24	72.06	31.06	24.06	72XFW	350
1418N4SSY24	1418N4S16Y24	72.06	37.06	24.06	72YFW	390

1418 Series Stainless Steel Freestanding Enclosures - NEMA 4X

Single Door, Quarter Turn Latches



Panel
Sold
Separately



Corrosion Resistant Freestanding Enclosures

Application

- Designed to house electrical, electronic, hydraulic or pneumatic controls with provision for panel mounting or rack mounting of equipment.
- Provides protection where equipment may be hosed down or otherwise be very wet, or in specific applications where corrosion is a serious problem.
- A variety of inner panels, rack mounting rails and swing out frames are available to provide flexibility in mounting arrangements.

Standards

- UL 508 Type 3R, 4, 4X and 12
- CSA Type 3R, 4, 4X and 12
- **Complies with**
 - NEMA Type 3R, 4, 4X, 12 and 13
 - IEC 60529, IP66

Construction

- Formed 12 gauge 304 or 316 stainless steel.
- Smooth, continuously welded seams without knockouts, cutouts or holes.
- Heavy duty stainless steel lifting eyebolts are provided with reinforcing support angles.
- Doors are supported with heavy gauge continuous hinges.
- Doors are secured with quarter turn latches and padlocking hasp.
- Seamless poured-in place gasket.
- Mounting channels are welded on the inside of the enclosure for mounting of optional inner panels or rack equipment rails.
- A grounding stud is provided in the enclosure and a bonding stud is provided on the door.

Finish

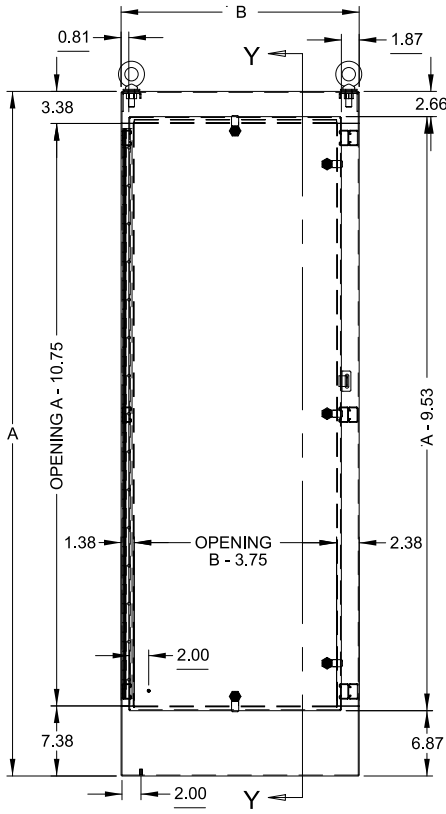
- Cover and enclosure are natural stainless steel with a smooth brushed finish.
- Optional inner panels are finished in white powder paint.

Accessories

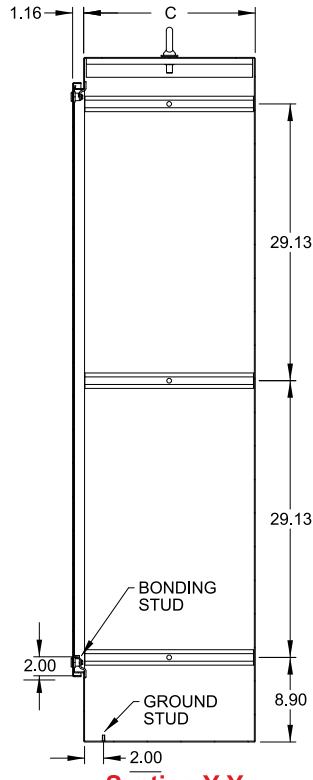
- Air conditioners...see page **349-367**
- Breather kits...see page **400-401**
- Door stop kits...see page **453**
- Door support guide...see page **451**
- Drip shield kits...see page **451**
- Filter fans...see page **371-384**
- Heaters...see page **393-396**
- Inner panels...see page **107**
- Light kit...see page **452**
- Panel rails...see page **107**
- Swing frames...see page **108**
- Thermostats...see page **397**
- Window kits...see page **449**

1418 Series Stainless Steel Freestanding Enclosures - NEMA 4X

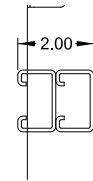
Single Door, Quarter Turn Latches



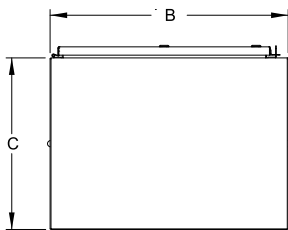
Front View



Section Y-Y



Strut Detail - Right Side



Bottom View

304 S.S. Part Number	316 S.S. Part Number	A	B	C	Optional Full Panel	Ship Wt. lbs.
1418N4SSW18QT	1418N4S16W18QT	72.06	25.06	18.06	72WFW	290
1418N4SSX24QT	1418N4S16X24QT	72.06	31.06	24.06	72XFW	350
1418N4SSY24QT	1418N4S16Y24QT	72.06	37.06	24.06	72YFW	390

Corrosion Resistant Freestanding Enclosures

HN4 Series Stainless Steel Freestanding Enclosures - NEMA 4X

Single Door, 3pt Handle



Panel
Sold
Separately



Corrosion Resistant Freestanding Enclosures

Application

- Designed to house electrical, electronic, hydraulic or pneumatic controls with provision for panel mounting or rack mounting of equipment.
- Provides protection where equipment may be hosed down or otherwise be very wet, or in specific applications where corrosion is a serious problem.
- A variety of inner panels, rack mounting rails and swing out frames are available to provide flexibility in mounting arrangements.

Standards

- UL 508 Type 3R, 4, 4X and 12
- CSA Type 3R, 4, 4X and 12
- **Complies with**
 - NEMA Type 3R, 4, 4X, 12 and 13
 - IEC 60529, IP66

Construction

- Formed 12 gauge steel 304 stainless steel.
- Smooth, continuously welded seams without knockouts, cutouts or holes.
- Heavy duty stainless steel lifting eyebolts are provided with reinforcing support angles.
- Doors are supported with heavy gauge continuous hinges.
- New 3-pt padlocking door handle.
- Seamless poured-in place gasket.
- A grounding stud is provided in the enclosure and a bonding stud is provided on the door.
- Mounting channels are welded on the inside of the enclosure for mounting of optional inner panels or rack equipment rails.

Finish

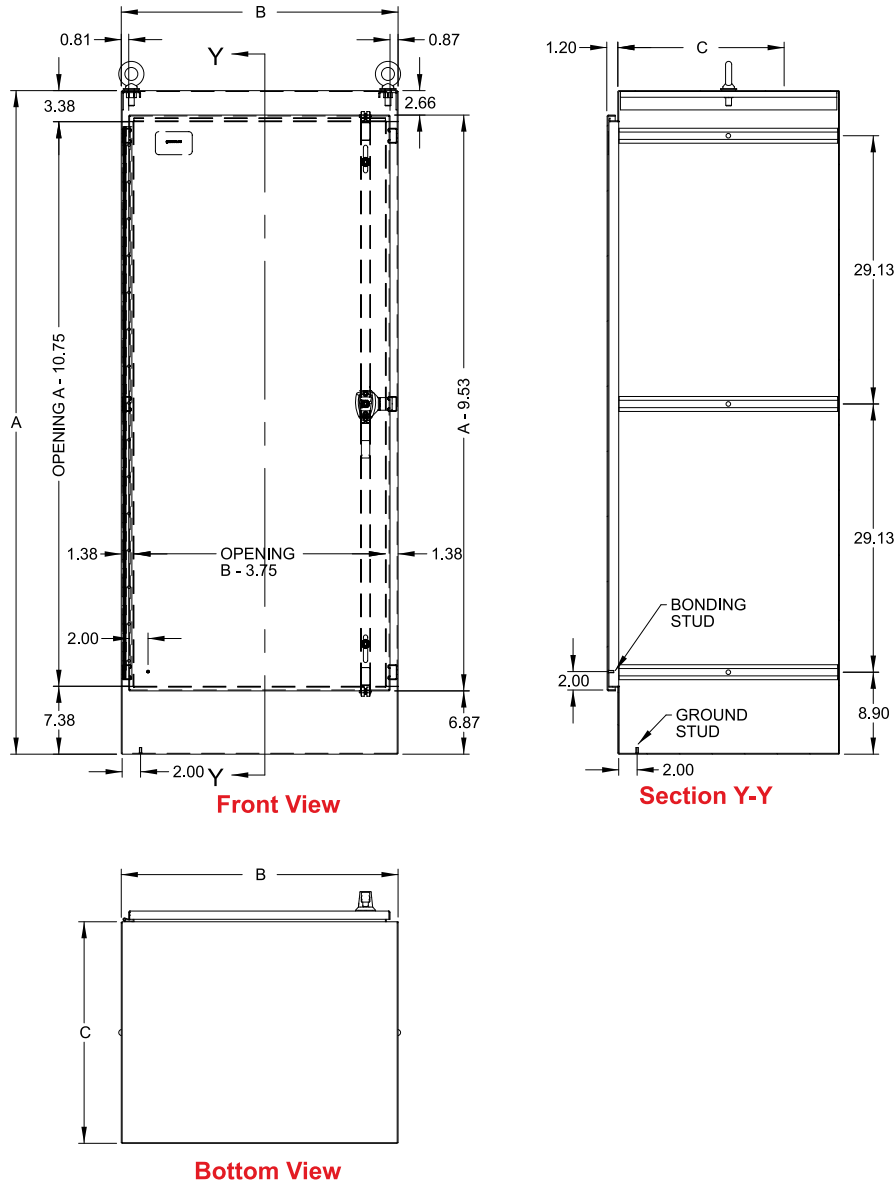
- Cover and enclosure are natural stainless steel with a smooth brushed finish.
- Optional inner panels are finished in white powder paint.

Accessories

- Air conditioners...see page **349-367**
- Breather kits...see page **400-401**
- Door stop kits...see page **453**
- Door support guide...see page **451**
- Drip shield kits...see page **451**
- Filter fans...see page **371-384**
- Heaters...see page **393-396**
- Inner panels...see page **107**
- Light kit...see page **452**
- Panel rails...see page **107**
- Swing frames...see page **108**
- Thermostats...see page **397**
- Window kits...see page **449**

HN4 Series Stainless Steel Freestanding Enclosures - NEMA 4X

Single Door, 3pt Handle



Part No.	A	B	C	Optional Full Panel
HN4FS602418SS	60.06	24.06	18.06	60TWW
HN4FS722418SS	72.06	24.06	18.06	72WW
HN4FS723018SS	72.06	30.06	18.06	72XFW
HN4FS723618SS	72.06	36.06	18.06	72YFW
HN4FS902420SS	90.06	24.06	20.06	90YWW
HN4FS903620SS	90.06	36.06	20.06	90YFW
HN4FS603624SS	60.06	36.06	24.06	60TYFW
HN4FS722424SS	72.06	24.06	24.06	72WW
HN4FS723024SS	72.06	30.06	24.06	72XFW
HN4FS723624SS	72.06	36.06	24.06	72YFW
HN4FS903624SS	90.06	36.06	24.06	90YFW
HN4FS723630SS	72.06	36.06	30.06	72YFW
HN4FS723636SS	72.06	36.06	36.06	72YFW
HN4FS903636SS	90.06	36.06	36.06	90YFW

Technical references and CAD downloads available at www.hammondmfg.com

All dimensions in inches unless specified otherwise

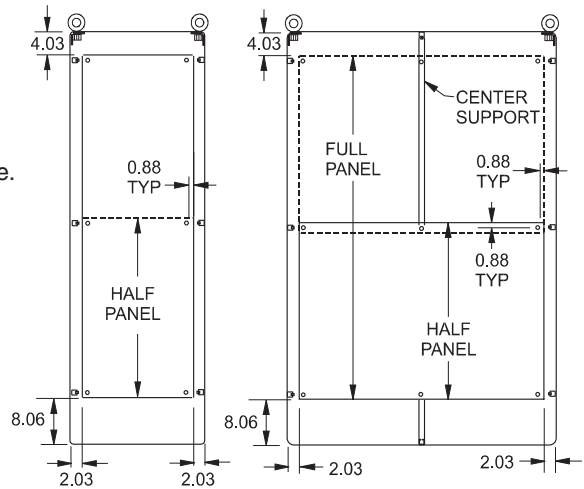
Quality Products. Service Excellence.

1418 Series Freestanding Enclosures - NEMA 4, 4X

Accessories

Inner Panels

- Formed from 10 gauge or 12 gauge steel.
- Width panels are available in full or half height.
- Depth panels are available in full height only.
- Depth and width panels are provided with all mounting hardware.
- Half panel can be mounted in the top or bottom half of the enclosure.
- Finished in white.



Front View
Single Door

Front View
Double Door

Single Door Width Panels

Part No.	Description	Enclosure	Panel Size
60TWF	Full Panel	60 x 24	48.00 x 20
60TWH	Half Panel		24.87 x 20
72TWF	Full Panel	72 x 24	60.00 x 20
72TWH	Half Panel		30.87 x 20
90TWF	Full Panel	90 x 24	78.00 x 20
90TWH	Half Panel		39.87 x 20
72XFW	Full Panel	72 x 30	60.00 x 26
72XHW	Half Panel		30.87 x 26
60TYF	Full Panel	60 x 36	48.00 x 32
60TYH	Half Panel		24.87 x 32
72YFW	Full Panel	72 x 36	60.00 x 32
72YHW	Half Panel		30.87 x 32
90YFW	Full Panel	90 x 36	78.00 x 32
90YHW	Half Panel		39.87 x 32

Double Door Width Panels

Part No.	Description	Enclosure	Panel Size
60AWF	Full Panel	60 x 48	48.00 x 44
60AWH	Half Panel		24.88 x 44
72ZWF	Full Panel	72 x 48	60.00 x 44
72ZWH	Half Panel		30.88 x 44
72ZXF	Full Panel	72 x 60	60.00 x 56
72ZXH	Half Panel		30.88 x 56
72ZYF	Full Panel	72 x 72	60.00 x 68
72ZYH	Half Panel		30.88 x 68
90BWF	Full Panel	90 x 48	78.00 x 44
90BWH	Half Panel		39.88 x 44
90BYF	Full Panel	90 x 72	78.00 x 68
90BYH	Half Panel		39.88 x 68

Depth Panels

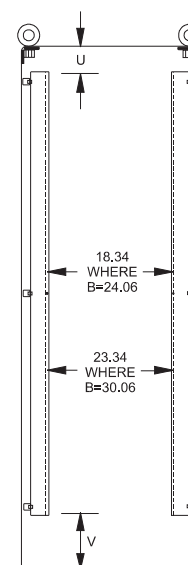
Part No.	Encl.			
	Height	Min Depth	Panel W	Panel H
60FD14	60	18	14	48
72FD9	72	18	9	60
72FD14	72	18	14	60
72FD20	72	24	20	60
72FD26	72	36	26	60
90FD9	90	18	9	78
90FD14	90	18	14	78
90FD20	90	24	20	78
90FD26	90	36	26	78

Side Mounted Panels for Single and Double Door Enclosures

Panel Rails

- Provides 19" or 24" mounting capability.
- Sold in **pairs**.
- Formed from 10 gauge steel.
- Drilled and tapped 10-32 to EIA spacing of 0.5" - 0.63" - 0.63" - 0.5".
- Finished in white.

Part No.	Panel Description	Enclosure	Panel Width	Panel Height	U V	
					U	V
1418WFHP	Full Height	72 x 24	19	61.25	3.66	7.66
1418WHHP	Half Height			31.50	3.97	7.67
1418XFHP	Full Height	72 x 30	24	61.25	3.66	7.66
1418XHHP	Half Height			31.50	3.97	7.67



Technical references and CAD downloads available at www.hammondmfg.com

All dimensions in inches unless specified otherwise

1418 Series Freestanding Enclosures - NEMA 4, 4X

Accessories

Swing Out Frames For 19" Rack Mounting

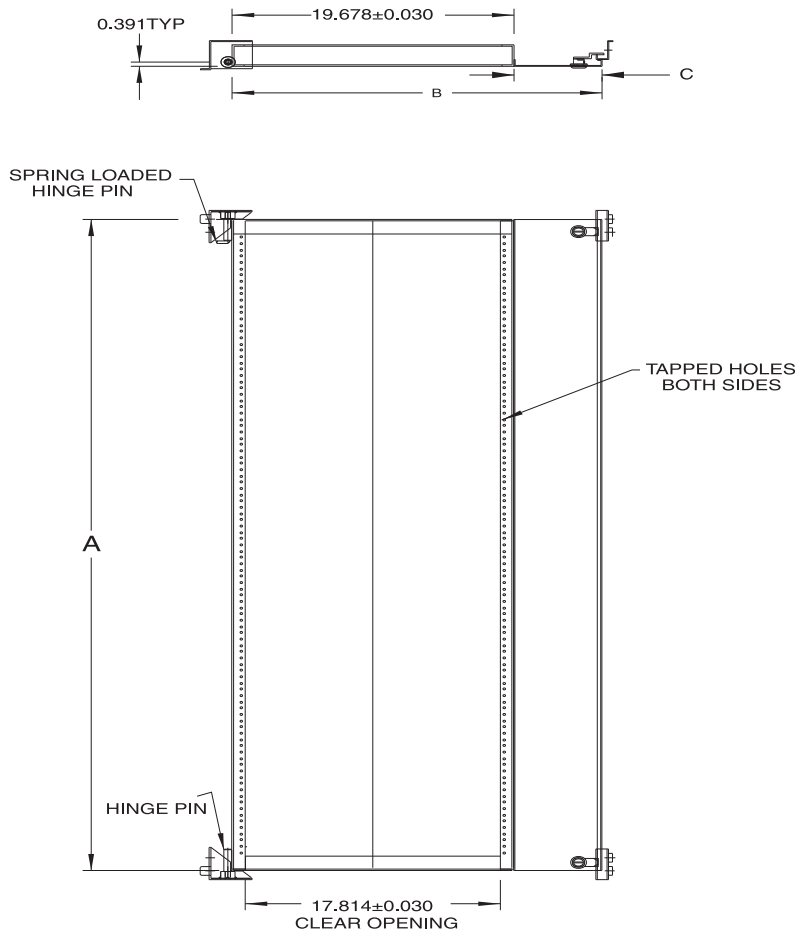
Formed from 10 gauge steel, frames are drilled and tapped to EIA requirements for mounting standard 19" rack accessories.

- The swing frame pivots on 0.5" pins within the enclosure for easy access to the rear of rack mounted equipment.
- The frame positions at any depth within the enclosure and is fastened in the closed position with quarter turn fasteners.
- Swing frames may be mounted in 30" and 36" wide enclosures.
- Finished in black.



Part No.	A	B	C	D	E	Enclosure Height	Width Single Door	Width Double Door	Center Support
1418SFYY	87.86	33.72	4.28	78.5	75.31	90	36	72	1418 BCS
1418SFY	69.86	33.72	4.28	60.5	57.81	72	36	72	1418 ZCS
1418SFX	69.86	27.72	4.28	60.5	57.81	72	30	60	1418 ZCS

Note: When using a swing out frame on a double door enclosure, a Center Panel Support must also be used and ordered separately...see previous page.



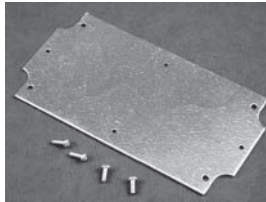
Technical references and CAD downloads available at www.hammondmfg.com

All dimensions in inches unless specified otherwise

Quality Products. Service Excellence.

Polycarbonate Enclosure - NEMA 4X

1554 Series



Optional Inner Panel



Feet Kit (Part No. 1554FT)



Corrosion Resistant Junction Boxes

Application

- Designed for harsh industrial environments or outdoor application controls, security or wireless.

Standards

- UL/cUL 508 Type 4, 4X, 12 and 13
- **Complies with**
 - NEMA 4, 4X, 12 and 13
 - IEC 60529 IP66
 - UL94 VO

Construction

- Electronic instrument enclosures, designed for mounting printed circuit boards or DIN rail mounted components.
- The polycarbonate material carries a UL flammability rating of UL94 VO and is suitable for outdoor use.
- Lid and mounting holes are located outside of the gasket seal.
- Lid is secured with self capturing M4 stainless steel machine screws (included), threaded into integral stainless steel bushings (for repetitive assembly & disassembly).
- Heavy duty 16 gauge galvanized steel panels available (see chart)
- All stainless steel hardware to avoid corrosion caused by dissimilar metals.
- Gasket is pre-formed using high temperature U.L. listed - silicone rubber gasket material.
- Gasketed lid with two piece "tongue & groove" construction provides protection against access of oil, dust and water.
- Internal DIN rail mounting tabs molded in all except the 1554CGY & 1554C2GY
- Threaded (M3) integral brass inserts & standoffs designed for M3.5 or #6 self tapping screws for P.C. board or inner panel mounting in all but the smallest size (1554BGY & 1554B2GY)
- Vertical P.C. card guides (for 1.5 mm thick P.C. boards) are molded in all but the smallest size (1554BGY & 1554B2GY)

Finish

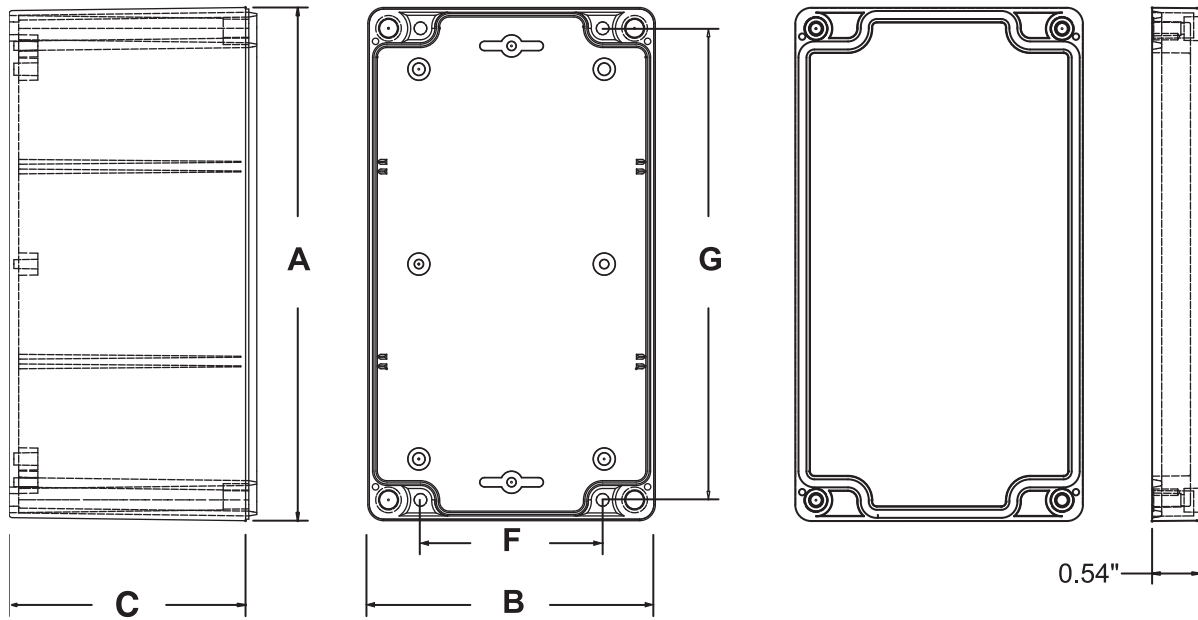
- Color is light gray (RAL 7035)

Optional Inner Panel

- Heavy duty panels for mounting components.
- Galvanized 16 ga. steel.
- Includes mounting hardware.

Polycarbonate Enclosure - NEMA 4X

1554 Series


Body View
Lid View

Solid Cover Part No.	Clear Cover Part No.	Smoked Cover Part No.	Units	Dimensions						Optional Inner Panel Part No.	Dimensions	
				A	B	C	F	G	Length		Width	
1554B2GY	1554B2GYCL	1554B2GYSL	inch	2.6	2.6	0.98	2.05	1.26	1554BPL	2.2	2.2	
			mm	65	65	25	52	32		56	59	
1554E2GY	1554E2GYCL	1554E2GYSL	inch	3.5	3.5	1.77	2.24	2.24	1554EPL	3.1	3.1	
			mm	90	90	45	57	57		79	79	
1554C2GY	1554C2GYCL	1554C2GYSL	inch	4.7	2.6	0.98	2.05	3.43	1554CPL	4.4	2.1	
			mm	120	65	25	52	87		112	53	
1554D2GY	1554D2GYCL	1554D2GYSL	inch	4.7	2.6	1.77	2.05	3.43	1554CPL	4.4	2.1	
			mm	120	65	45	52	87		112	53	
1554F2GY	1554F2GYCL	1554F2GYSL	inch	4.7	3.5	1.77	2.68	4.21	1554FPL	4.3	3.1	
			mm	120	90	45	68	107		109	79	
1554G2GY	1554G2GYCL	1554G2GYSL	inch	4.7	3.5	2.56	4.21	4.21	1554FPL	4.3	3.1	
			mm	120	90	65	107	107		109	79	
1554N2GY	1554N2GYCL	1554N2GYSL	inch	4.7	4.7	1.77	3.43	4.21	1554NPL	4.25	4.2	
			mm	120	120	45	87	107		108	107	
1554P2GY	1554P2GYCL	1554P2GYSL	inch	4.7	4.7	2.56	3.43	4.21	1554NPL	4.25	4.2	
			mm	120	120	65	87	107		108	107	
1554J2GY	1554J2GYCL	1554J2GYSL	inch	6.3	3.5	1.77	2.24	5.79	1554JPL	5.8	3	
			mm	160	90	45	57	147		147	76	
1554K2GY	1554K2GYCL	1554K2GYSL	inch	6.3	3.5	2.95	2.24	5.79	1554JPL	5.8	3	
			mm	160	90	75	57	147		147	76	
1554R2GY	1554R2GYCL	1554R2GYSL	inch	6.3	6.3	1.77	5.00	5.79	1554RPL	5.94	5.8	
			mm	160	160	45	127	147		151	147	
1554S2GY	1554S2GYCL	1554S2GYSL	inch	6.3	6.3	2.95	5.00	5.79	1554RPL	5.94	5.8	
			mm	160	160	75	127	147		151	147	
1554H2GY	1554H2GYCL	1554H2GYSL	inch	7.1	4.7	1.77	3.43	6.58	1554HPL	6.6	4.2	
			mm	180	120	45	87	167		168	107	
1554T2GY	1554T2GYCL	1554T2GYSL	inch	7.1	4.7	2.95	3.43	6.58	1554HPL	6.6	4.2	
			mm	180	120	75	87	167		168	107	
1554U2GY	1554U2GYCL	1554U2GYSL	inch	7.9	4.7	2.95	3.43	7.37	1554UPL	7.6	4.2	
			mm	200	120	75	87	187		193	107	
1554V2GY	1554V2GYCL	1554V2GYSL	inch	9.5	6.3	2.95	5.00	8.93	1554VPL	9.1	5.7	
			mm	240	160	75	127	227		231	145	

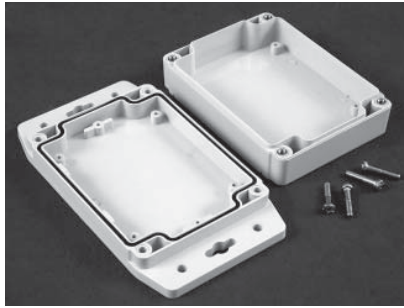
 Technical references and CAD downloads available at www.hammondmfg.com

All dimensions in inches unless specified otherwise

Corrosion Resistant Junction Boxes
Quality Products. Service Excellence.

Polycarbonate Enclosure - NEMA 4X

1555F Series



Corrosion Resistant

Junction Boxes

Application

- Designed for harsh industrial environments or outdoor application controls, security or wireless.

Standards

- UL/cUL 508 Type 4, 4X, 12 and 13
- **Complies with**
 - NEMA 4, 4X, 12 and 13
 - IEC 60529 IP66
 - UL94 VO

Construction

- Electronic instrument enclosures, designed for mounting printed circuit boards or DIN rail mounted components.
- The polycarbonate material carries a UL flammability rating of UL94 VO and is suitable for outdoor use.
- Lid and mounting holes are located outside of the gasket seal.
- Lid is secured with self capturing M4 stainless steel machine screws (included), threaded into integral stainless steel bushings (for repetitive assembly & disassembly).
- Heavy duty 16 gauge galvanized steel panels available (see chart)
- All stainless steel hardware to avoid corrosion caused by dissimilar metals.
- Gasket is pre-formed using high temperature U.L. listed - silicone rubber gasket material.
- Gasketed lid with two piece "tongue & groove" construction provides protection against access of oil, dust and water.
- Internal DIN rail mounting tabs molded in all except the 1555C2F22GY & 1555C2F42GY
- Threaded (M3) integral brass inserts & standoffs designed for 1/4" or #6 self tapping screws for P.C. board or inner panel mounting in all but the smallest size.

Finish

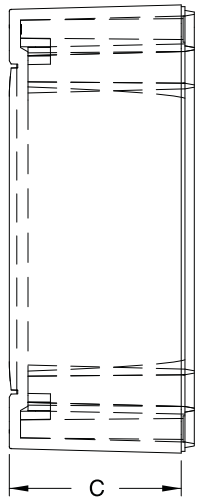
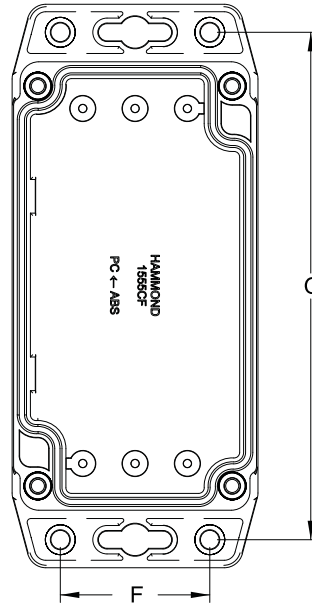
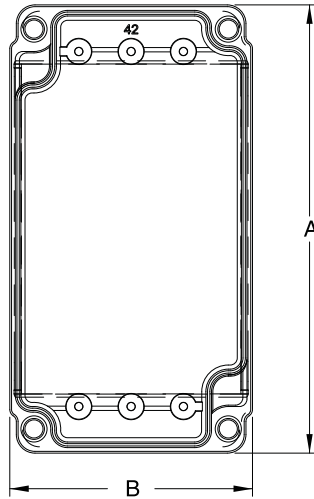
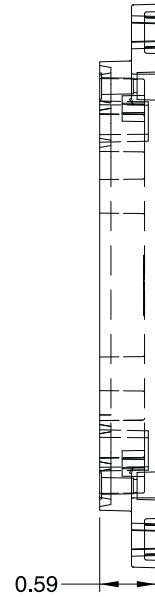
- Color is light gray (RAL 7035)

Optional Inner Panel

- Heavy duty panels for mounting components.
- Galvanized 16 ga. steel.
- Includes mounting hardware.

Polycarbonate Enclosure - NEMA 4X

1555F Series


Body View

Flanged View


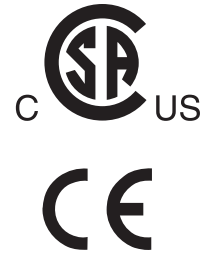
Corrosion Resistant

Junction Boxes

Solid Cover Part No.	Units	Dimensions					Optional Inner Panel Part No.	Dimensions	
		A	B	C	F	G		Length	Width
1555C2F22GY	inch	4.72	2.59	1.06	1.57	5.35	1555CFPL	4.25	2.07
	mm	120	65	27	40	135		108	52
1555C2F42GY	inch	4.72	2.59	1.85	1.57	5.35	1555CFPL	4.25	2.07
	mm	120	65	47	40	135		108	52
1555F2F17GY	inch	4.72	3.57	0.87	1.99	5.54	1555FFPL	4.25	2.99
	mm	120	91	22	50	140		108	76
1555F2F42GY	inch	4.72	3.57	1.85	1.99	5.54	1555FFPL	4.25	2.99
	mm	120	91	47	50	140		108	76
1555N2F17GY	inch	4.72	4.72	0.87	2.75	5.54	1555NFPL	4.25	4.25
	mm	120	120	22	70	140		108	108
1555N2F42GY	inch	4.72	4.72	1.85	2.75	5.54	1555NFPL	4.25	4.25
	mm	120	120	47	70	140		108	108
1555J2F17GY	inch	6.29	3.57	0.87	1.99	7.12	1555JFPL	5.82	2.99
	mm	160	91	22	50	180		148	76
1555J2F42GY	inch	6.29	3.57	1.85	1.99	7.12	1555JFPL	5.82	2.99
	mm	160	91	47	50	180		148	76
1555H2F17GY	inch	7.12	4.72	0.87	2.75	7.87	1555HFPL	6.61	4.25
	mm	180	120	22	70	200		168	108
1555H2F42GY	inch	7.12	4.72	1.85	2.75	7.87	1555HFPL	6.61	4.25
	mm	180	120	47	70	200		168	108

Polyester Modular Enclosures - NEMA 4X

R130 Series Enclosures


Corrosion Resistant Junction Boxes

Application

- Designed for use as instrument enclosures, electrical junction boxes or terminal wiring enclosures.
- Provide outstanding protection against dust, oil and pressurized water.
- Impervious to atmospheric and marine corrosion.

Standards

- CSA Type 4, 4X
- **Complies with**
 - NEMA 1, 2, 3, 3R, 4, 4X, 5, 12, 13
 - IEC 60529, IP66
- VO Flammability Rating

Construction

- Two piece molded fiberglass reinforced polyester construction.
- Captive polyfibre cover screws are provided with a standard slot head.
- Cover screws fasten into pre-threaded holes.
- The threaded cover screw holes also provide single channel access to rear mounting positions.
- Recessed neoprene gasket with tongue and groove construction is oil and petroleum resistant.
- Threaded stainless steel inserts provide for internal mounting.
- Spring loaded stainless steel hinge pins are standard, allowing for quick lid removal.

Finish

- Light beige RAL 7032

Accessories

- External mounting feet...*see next page*
- Inner panels...*see next page*
- Cross rails...*see next page*
- Bonded acrylic glass windows are available on special request.

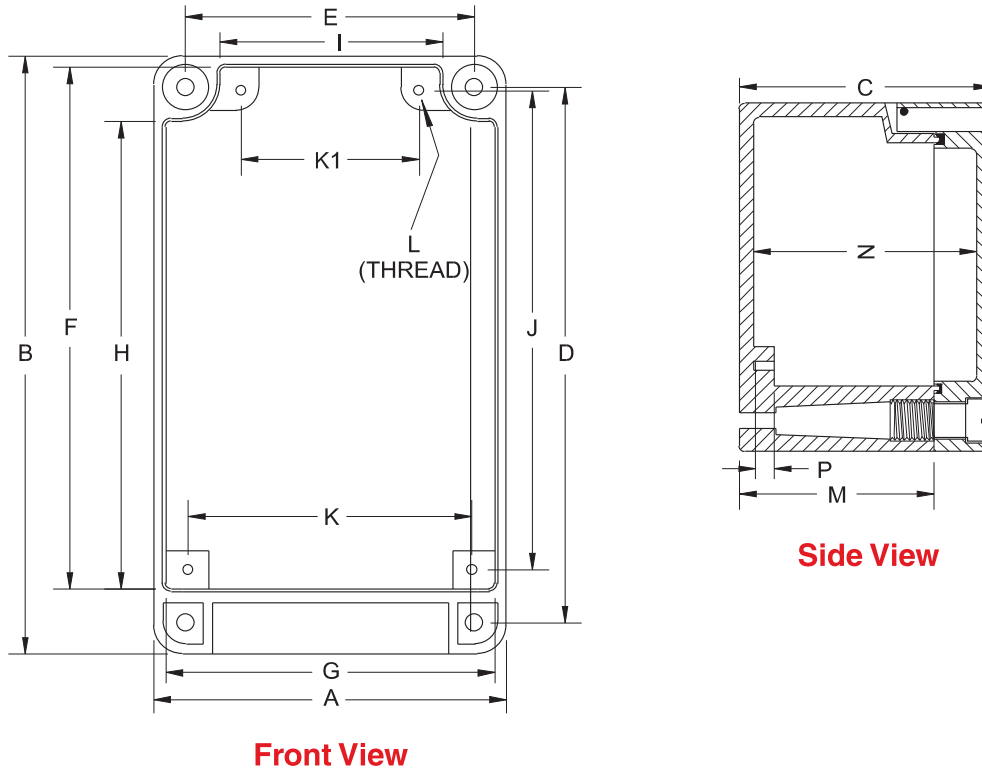
Part No.	Series	Units	Width		Length		Height											
			A	B	C	D	E	F	G	H	I	J	K	K1	L	M	N	P
R130-120-000	PD-120	inch	4.72	5.51	3.94	4.65	3.86	4.33	4.25	3.62	2.81	3.82	3.74	2.28		2.76	3.62	0.28
		mm	120	140	100	118	98	110	108	92	71.5	97	95	58	M6	70	92	7
R130-122-000	PD-122	inch	4.72	7.87	3.94	7.01	3.86	6.69	4.25	5.98	2.81	6.18	3.74	2.28		2.76	3.62	0.28
		mm	120	200	100	178	98	170	108	152	71.5	157	95	58	M6	70	92	7
R130-124-000	PD-124	inch	4.72	10.24	3.94	9.37	3.86	9.06	4.25	8.35	2.81	8.54	3.74	2.28		2.76	3.62	0.28
		mm	120	260	100	238	98	230	108	212	71.5	217	95	58	M6	70	92	7
R130-160-000	PD-160	inch	6.30	7.09	3.94	6.22	5.43	5.91	5.83	5.20	4.39	5.39	5.31	3.86		2.76	3.62	0.28
		mm	160	180	100	158	138	150	148	132	111.5	137	135	98	M6	70	92	7
R130-162-000	PD-162	inch	6.30	10.24	3.94	9.37	5.43	9.06	5.83	8.35	4.39	8.54	5.31	3.86		2.76	3.62	0.28
		mm	160	260	100	238	138	230	148	212	111.5	217	135	98	M6	70	92	7
R130-164-000	PD-164	inch	6.30	13.39	3.94	12.52	5.43	12.20	5.83	11.50	4.39	11.69	5.31	3.86		2.76	3.62	0.28
		mm	160	340	100	318	138	310	148	292	111.5	297	135	98	M6	70	92	7
R130-200-000	PD-200	inch	7.87	8.66	4.72	7.80	7.01	7.46	7.38	6.73	5.94	6.97	6.89	5.43		3.54	4.41	0.28
		mm	200	220	120	198	178	189.5	187.5	171	151	177	175	138	M6	90	112	7
R130-202-000	PD-202	inch	7.87	12.60	4.72	11.73	7.01	11.40	7.38	10.67	5.94	10.91	6.89	5.43		3.54	4.41	0.28
		mm	200	320	120	298	178	289.5	187.5	271	151	277	175	138	M6	90	112	7

 Technical references and CAD downloads available at www.hammondmfg.com

All dimensions in inches unless specified otherwise

Polyester Modular Enclosures - NEMA 4X

R130 Series Enclosures

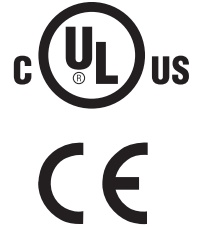


Accessories

Part No.	External Feet (Set of 4) Stainless Steel	Inner Panel (1.5 mm) Steel, Zinc Plated	Cross Rail (Pair) (Low Bottom Part)
R130-120-000	R501-000-001	R530-120-000	R531-120-000
R130-122-000	R501-000-001	R530-122-000	R531-120-000
R130-124-000	R501-000-001	R530-124-000	R531-120-000
R130-160-000	R501-000-001	R530-160-000	R531-160-000
R130-162-000	R501-000-001	R530-162-000	R531-160-000
R130-164-000	R501-000-001	R530-164-000	R531-160-000
R130-200-000	R501-000-001	R530-200-000	R531-200-000
R130-202-000	R501-000-001	R530-202-000	R531-200-000

Polyester Enclosure - NEMA 4X

1590ZGRP Series



Corrosion Resistant Junction Boxes

Application

- Designed for use as instrument enclosures, electrical junction boxes or terminal wiring enclosures.
- Provide outstanding protection against dust, oil and pressurized water.
- Impervious to atmospheric and marine corrosion.
- Ideal in applications with high temperatures or highly corrosive environments.

Standard

- UL/cUL 508 Type 1, 2, 3, 4, 4X, 12 & 13

Complies with

- NEMA 1, 2, 3, 4, 4X, 12, 13
- IEC 60529, IP66

Construction

- Two piece molded fiberglass reinforced polyester construction.
- Captive stainless steel cover screws are provided with a standard slot head.
- Cover screws fasten into pre-threaded holes.
- The threaded cover screw holes also provide single channel access to rear mounting positions.
- Recessed neoprene gasket with tongue and groove construction is oil and petroleum resistant.
- Threaded stainless steel inserts provide for internal mounting.

Finish

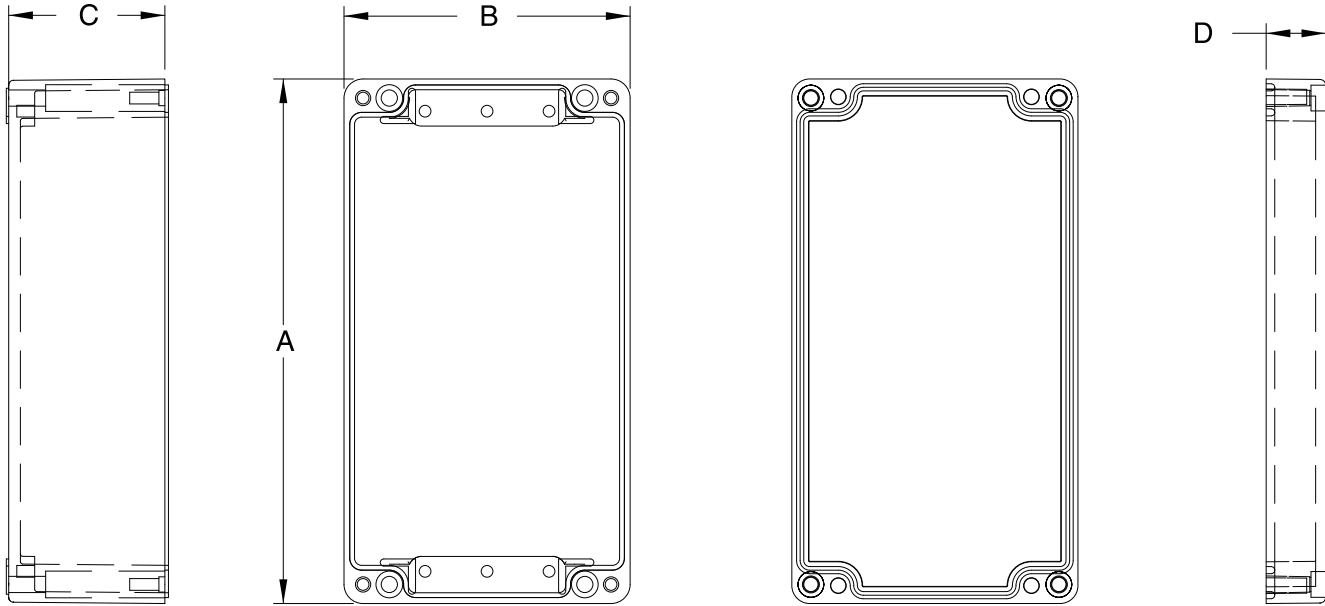
- Grey RAL 7000

Accessories

- Galvanized Steel Inner panels...*see next page*

Polyester Enclosure - NEMA 4X

1590ZGRP Series



Body View

Lid View

Corrosion Resistant

Junction Boxes

Part Number	Units	Dimensions				Optional Inner Panel Part Number
		A	B	C	D	
1590ZGRP081	inch	3.15	2.95	1.57	0.59	1590ZGRP081PL
	mm	80	75	40	15	
1590ZGRP082	inch	4.33	2.95	1.57	0.59	1590ZGRP082PL
	mm	110	75	40	15	
1590ZGRP083	inch	6.30	2.95	1.57	0.59	1590ZGRP083PL
	mm	160	75	40	15	
1590ZGRP121	inch	4.80	4.72	2.56	0.98	1590ZGRP121PL
	mm	122	120	65	25	
1590ZGRP123	inch	8.66	4.72	2.76	0.79	1590ZGRP123PL
	mm	220	120	70	20	
1590ZGRP131	inch	7.48	2.95	1.57	0.59	1590ZGRP131PL
	mm	190	75	40	15	
1590ZGRP161	inch	6.30	6.30	2.76	0.79	1590ZGRP161PL
	mm	160	160	70	20	
1590ZGRP162	inch	10.24	6.30	2.76	0.79	1590ZGRP162PL
	mm	260	160	70	20	
1590ZGRP233	inch	9.84	7.87	3.74	0.98	1590ZGRP233PL
	mm	250	200	95	25	
1590ZGRP234	inch	10.04	9.84	3.74	0.98	1590ZGRP234PL
	mm	255	250	95	25	
1590ZGRP235	inch	10.04	9.84	3.74	2.56	1590ZGRP234PL
	mm	255	250	95	65	
1590ZGRP243	inch	15.75	9.84	3.74	0.98	1590ZGRP243PL
	mm	400	250	95	25	
1590ZGRP263	inch	23.62	9.84	3.74	0.98	1590ZGRP263PL
	mm	600	250	95	25	

Polyester Modular Enclosures - NEMA 4X

PJ Series - Lift-Off and Hinged Screw Cover



Panel
Sold
Separately



Corrosion Resistant Junction Boxes

Application

- Designed for use as instrument enclosures, electric, hydraulic or pneumatic control housings, electrical junction boxes or terminal wiring enclosures.
- Provides outstanding insulation and protection where equipment may be hosed down or be very wet.
- Ideal in applications with high temperatures or highly corrosive environments.

Standards

- UL 508 Type 1, 2, 3, 4, 4X, 12 and 13
- UL 508 Type 6P (see table)
- CSA Type 1, 2, 3, 4, 4X, 12 and 13
- CSA Type 6P (see table)
- **Complies with**
 - NEMA Type 1, 2, 3, 4, 4X, 12 and 13
 - IEC 60529, IP66

Construction

- Molded fiberglass polyester enclosure with matching cover is easily punched, cut, or drilled.
- Enhanced UV inhibitors protect against outdoor weathering.
- Standard JIC sizes under 18" x 16".
- 10-32 threaded brass inserts are provided for optional inner panel or terminal kit mounting. Mounting hardware included.
- Cover is fastened with captive stainless steel screws in threaded brass inserts.
- Captive oil resistant gasket provides a positive seal.
- Threaded brass inserts are provided for mounting feet to the rear of the enclosure.
- Stainless steel mounting brackets and hardware are provided for mounting feet to the rear of the enclosure.
- Operating temperatures between 130°C and -40°C (266°F to -40°F).
- Impact index of 6.78J (5 ft/lb).
- For corrosion resistance information, please refer to table in the Technical Information section.

Finish

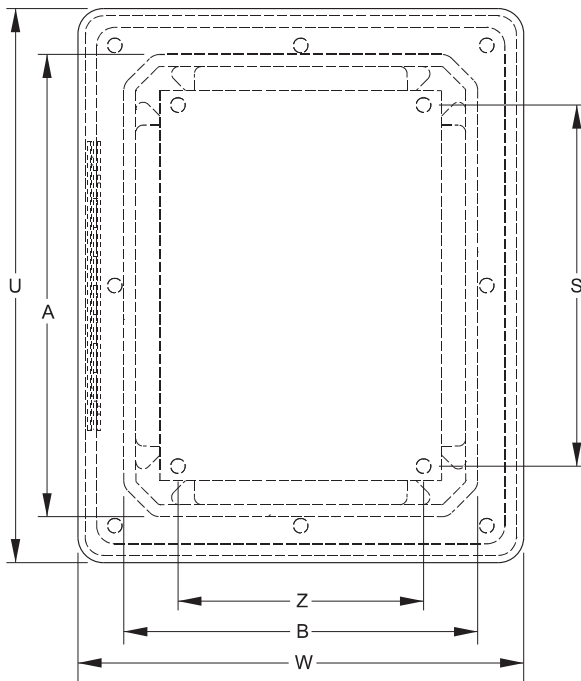
- Fiberglass polyester material has a gray finish.
- Optional inner panels are available in white powder coated finished steel, unfinished aluminum, or Fiberglass.

Accessories

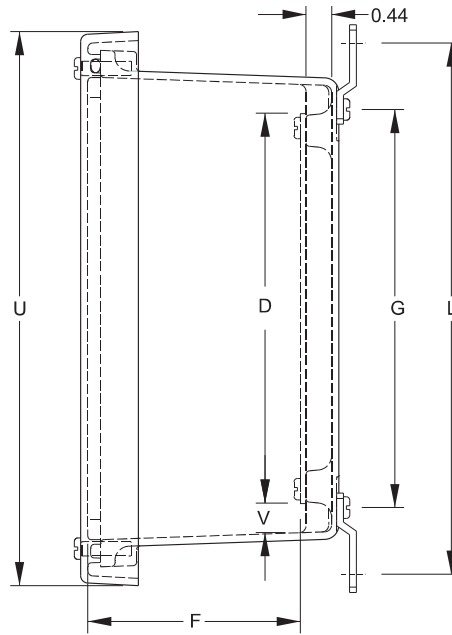
- Painted steel inner panels
...see page **138**
- PJ/ PJU swing panel...see page **138**
- Unfinished aluminum inner panels...see page **138**
- Fiberglass inner panels
...see page **138**
- Terminal kit assemblies
...see page **441**

Polyester Modular Enclosures - NEMA 4X

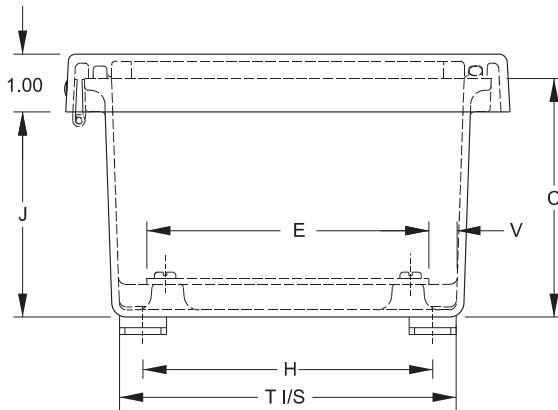
PJ Series - Lift-Off and Hinged Screw Cover



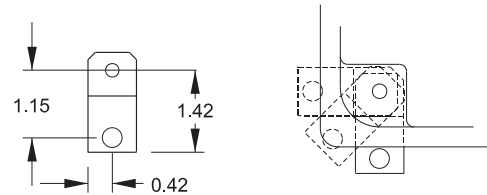
**Front View
Hinged Screw Cover**



Side View



End View



Optional Mounting Feet Locations

Thermal Index

130°C to -40°C (266°F to -40°F)

Impact Index

6.78J (5 ft/lb)

Corrosion Resistant Junction Boxes

Lift-Off Cover Part No.	Hinged Cover Part No.	Enclosure Dimensions			Panel Dimensions			Centers					Cover Dimensions		Opt Steel Panel Part No. ¹	Ship Wt. Lbs.			
		A	B	C	D	E	F	G	H	J	S	Z	L	T			V	U	W
PJ664 ²	PJ664H	6.10	6.10	4.13	4.88	4.88	3.76	5.01	5.01	3.52	4.25	4.25	7.32	5.83	0.49	7.69	7.69	14R0505	4
PJ864 ²	PJ864H	8.00	6.12	4.13	6.75	4.88	3.68	6.89	5.01	3.47	6.25	4.25	9.19	5.85	0.50	9.59	7.71	14R0705	4
PJ1084 ²	PJ1084H	10.13	8.26	4.13	8.75	6.88	3.68	8.89	7.01	3.47	8.25	6.25	11.19	7.85	0.50	11.77	9.90	14R0907	6
PJ1086 ²	PJ1086H	10.13	8.26	6.13	8.75	6.88	5.68	8.89	7.01	5.47	8.25	6.25	11.19	7.85	0.50	11.77	9.90	14R0907	6
PJ12106 ²	PJ12106H	12.13	10.26	6.13	10.75	8.88	5.68	10.89	9.01	5.47	10.25	8.25	13.19	9.85	0.50	13.77	11.90	14R1109	8
PJ14126 ²	PJ14126H	14.13	12.26	6.13	12.75	10.88	5.68	12.89	11.01	5.47	12.25	10.25	15.19	11.85	0.50	15.73	13.85	14R1311	11
PJ16148	PJ16148H	16.27	14.40	8.13	14.75	12.88	7.68	14.89	13.01	7.47	14.25	12.25	17.19	13.71	0.50	17.87	15.99	14R1513	12
PJ18168	PJ18168H	18.40	16.40	8.13	16.88	14.88	7.68	16.97	14.97	7.47	16.25	14.25	19.28	15.72	0.50	20.00	18.00	P1868	17
PJ20168	PJ20168H	20.00	16.00	8.13	18.44	14.44	7.68	18.54	14.54	7.47	17.81	13.81	20.84	15.31	0.52	21.59	17.59	P2068	19

¹For aluminum and fiberglass panels...see page 138.

²Type 6P

Polyester Modular Enclosures - NEMA 4X

PJ Series - Snap & Twist Latch Hinged Cover



Twist Latch Detail



Snap Latch Detail

**Panel
Sold
Separately**



Corrosion Resistant Junction Boxes

Application

- Designed for use as instrument enclosures, electric, hydraulic or pneumatic control housings, electrical junction boxes or terminal wiring enclosures.
- Provides outstanding insulation and protection where equipment may be hosed down or be very wet.
- Ideal in applications with high temperatures or highly corrosive environments.

Standards

- UL 508 Type 1, 2, 3, 4, 4X, 12, & 13
- CSA Type 1, 2, 3, 4, 4X, 12, & 13
- **Complies with**
 - NEMA Type 1, 2, 3, 4, 4X, 12, & 13
 - IEC 60529, IP66

Construction

- Molded fiberglass polyester enclosure with matching cover is easily punched, cut, or drilled.
- Enhanced UV inhibitors protect against outdoor weathering.

Snap Latch

Part No.	Overall Dimensions			Panel Dimensions				Centers							Cover Dimensions			Opt. Steel Panel Part No.	Ship Weight (lbs)
	A	B	C	D	E	F	G	H	J	S	Z	L	T	V	U	W			
PJ664L	6.10	6.10	4.18	4.88	4.88	3.76	5.01	5.01	3.52	4.25	4.25	7.32	5.83	0.49	7.69	7.69	14R0505	4	
PJ864L	8.00	6.12	4.13	6.75	4.88	3.68	6.89	5.01	3.47	6.25	4.25	9.19	5.85	0.50	9.59	7.71	14R0705	4	
PJ1084L	10.13	8.26	4.13	8.75	6.88	3.68	8.89	7.01	3.47	8.25	6.25	11.19	7.85	0.50	11.77	9.90	14R0907	6	
PJ1086L	10.13	8.26	6.13	8.75	6.88	5.68	8.89	7.01	5.47	8.25	6.25	11.19	7.85	0.50	11.77	9.90	14R0907	6	
PJ12106L	12.13	10.26	6.13	10.75	8.88	5.68	10.89	9.01	5.47	10.25	8.25	13.19	9.85	0.50	13.77	11.90	14R1109	8	
PJ14126L	14.13	12.26	6.13	12.75	10.88	5.68	12.89	11.01	5.47	12.25	10.25	15.19	11.85	0.50	15.73	13.85	14R1311	11	
PJ16148L	16.27	14.40	8.13	14.75	12.88	7.68	14.89	13.01	7.47	14.25	12.25	17.19	13.71	0.50	17.87	15.99	14R1513	12	
PJ18168L	18.40	16.40	8.13	16.88	14.88	7.68	16.97	14.97	7.47	16.25	14.25	19.28	15.72	0.50	20.00	18.00	P1868	17	
PJ20168L	20.00	16.00	8.13	18.44	14.44	7.68	18.54	14.54	7.47	17.81	13.81	20.84	15.31	0.52	21.59	17.59	P2068	19	

For aluminum and fiberglass panels...see page 129.

Construction...Cont'd

- 10-32 threaded brass inserts are provided for optional inner panel or terminal kit mounting. Mounting hardware is included.
- Stainless steel butterfly type "twist latch" door fasteners.
- Stainless steel draw type "snap latch" door fasteners.
- Door fasteners include a provision for padlocking.
- Twist latch enclosures are available with bonded polycarbonate viewing windows.
- Door is supported with a continuous stainless steel hinge.
- Captive oil resistant gasket provides a positive seal.
- Threaded brass inserts are provided for mounting feet to the rear of the enclosure.
- Stainless steel mounting brackets and hardware are provided for mounting to the rear of the enclosure.
- Operating temperatures between 130°C and -40°C (266°F to -40°F).
- Impact index of 6.78J (5 ft/lb). For corrosion resistance information, please refer to table in the Technical Information section.

Finish

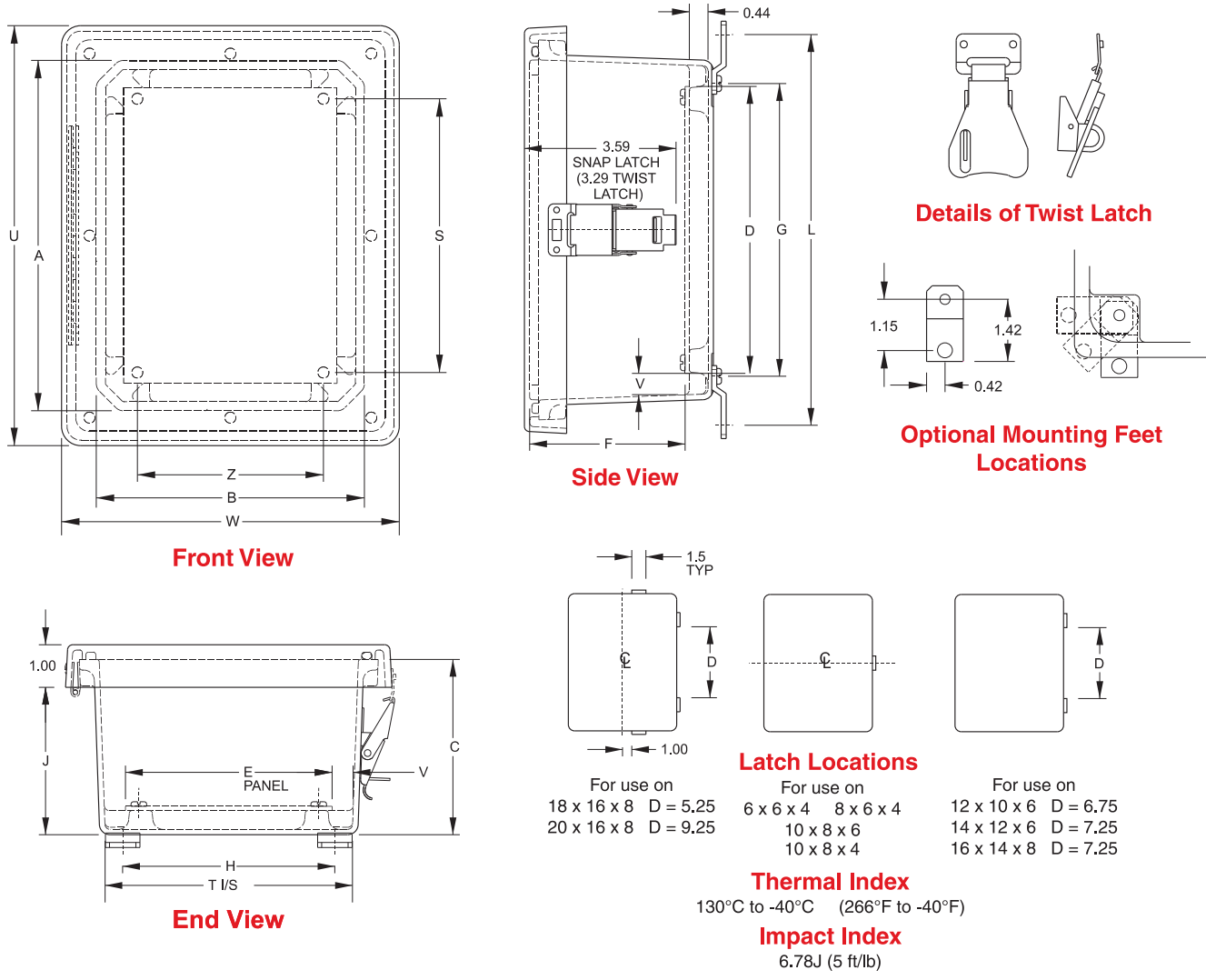
- Fiberglass polyester material has a gray finish.
- Optional inner panels are available in white powder coated finished steel, unfinished aluminum, or Fiberglass.

Accessories

- Painted steel inner panels
...see page 138
- PJ/ PJU swing panel...see page 138
- Unfinished aluminum inner panels...see page 138
- Fiberglass inner panels
...see page 138
- Terminal kit assemblies
...see page 441

Polyester Modular Enclosures - NEMA 4X

PJ Series - Snap & Twist Latch Hinged Cover



Corrosion Resistant Junction Boxes

Twist Latch

Part No.	Overall Dimensions			Panel Dimensions			Centers						Cover Dimensions			Opt. Steel Panel Part No.	Shipping Weight (lbs)	
	A	B	C	D	E	F	G	H	J	S	Z	L	T	V	U			W
PJ664T	6.10	6.10	4.18	4.88	4.88	3.76	5.01	5.01	3.52	4.25	4.25	7.32	5.83	0.49	7.69	7.69	14R0505	4
PJ864T	8.00	6.12	4.13	6.75	4.88	3.68	6.89	5.01	3.47	6.25	4.25	9.19	5.85	0.50	9.59	7.71	14R0705	4
PJ1084T	10.13	8.26	4.13	8.75	6.88	3.68	8.89	7.01	3.47	8.25	6.25	11.19	7.85	0.50	11.77	9.90	14R0907	6
PJ1086T	10.13	8.26	6.13	8.75	6.88	5.68	8.89	7.01	5.47	8.25	6.25	11.19	7.85	0.50	11.77	9.90	14R0907	6
PJ12106T	12.13	10.26	6.13	10.75	8.88	5.68	10.89	9.01	5.47	10.25	8.25	13.19	9.85	0.50	13.77	11.90	14R1109	8
PJ14126T	14.13	12.26	6.13	12.75	10.88	5.68	12.89	11.01	5.47	12.25	10.25	15.19	11.85	0.50	15.73	13.85	14R1311	11
PJ16148T	16.27	14.40	8.13	14.75	12.88	7.68	14.89	13.01	7.47	14.25	12.25	17.19	13.71	0.50	17.87	15.99	14R1513	12
PJ18168T	18.40	16.40	8.13	16.88	14.88	7.68	16.97	14.97	7.47	16.25	14.25	19.28	15.72	0.50	20.00	18.00	P1868	17
PJ20168T	20.00	16.00	8.13	18.44	14.44	7.68	18.54	14.54	7.47	17.81	13.81	20.84	15.31	0.52	21.59	17.59	P2068	19

For aluminum and fiberglass panels...see page 138.

Technical references and CAD downloads available at www.hammondmfg.com All dimensions in inches unless specified otherwise

Quality Products. Service Excellence.

Polyester Modular Enclosures - NEMA 4X

PJ Series - Lift-Off, Hinged, Snap Latch, Twist Latch, Solid and Window Door



Twist Latch Detail



Snap Latch Detail

**Panel
Sold
Separately**



Corrosion Resistant

Junction Boxes

Application

- Designed for use as instrument enclosures, electric, hydraulic or pneumatic control housings, electrical junction boxes or terminal wiring enclosures.
- Provides outstanding insulation and protection where equipment may be hosed down or be very wet.
- Ideal in applications with high temperatures or highly corrosive environments.

Standards

- UL 508 Type 1, 2, 3, 4, 4X, 12 and 13
- CSA Type 1, 2, 3, 4, 4X, 12 and 13
- Complies with
 - NEMA Type 1, 2, 3, 4, 4X, 12, & 13
 - IEC 60529, IP66

Construction

- Molded fiberglass polyester enclosure with matching cover is easily punched, cut, or drilled.
- Enhanced UV inhibitors protect against outdoor weathering.
- Standard JIC sizes under 18"x16".
- Threaded brass inserts are provided for optional inner panel or terminal kit mounting. Mounting hardware is included.
- Stainless steel draw type "snap latch" door fasteners.
- Door fasteners include a provision for padlocking.
- Enclosures are available with bonded polycarbonate viewing windows.
- Door is supported with a continuous stainless steel hinge.
- Captive oil resistant gasket provides a positive seal.
- Threaded brass inserts are provided for mounting feet to the rear of the enclosure.
- Stainless steel mounting brackets and hardware are provided for mounting to the rear of the enclosure.
- Operating temperatures between 130°C and -40°C (266°F to -40°F).

Construction...Cont'd

- Impact index of 6.78J (5 ft/lb).
- For corrosion resistance information, please refer to table in the Technical Information section.

Finish

- Fiberglass polyester material has a gray finish.
- Optional inner panels are available in white powder coated finished steel or unfinished aluminum, or Fiberglass.

Accessories

- Painted steel inner panels
...see page **138**
- PJ/ PJU swing panel...see page **138**
- Unfinished aluminum inner panels...see page **138**
- Fiberglass inner panels
...see page **138**
- Terminal kit assemblies
...see page **441**

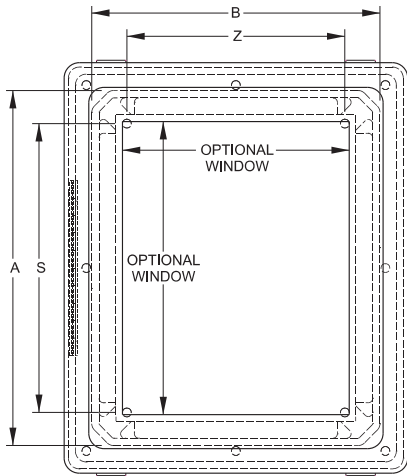
Window Lift-Off Part No.	Window Hinged Part No.	Overall Dimensions			Panel Size				Center			
		A	B	C	D	E	F	G	H	J	S	Z
PJ664W	PJ664HW	6.10	6.10	4.18	4.88	4.88	5.26	5.01	5.01	3.52	4.25	4.25
PJ864W	PJ864HW	8.00	6.12	4.13	6.75	4.88	5.21	6.89	5.01	3.47	6.25	4.25
PJ1084W	PJ1084HW	10.13	8.26	4.13	8.75	6.88	3.68	8.89	7.01	3.47	8.25	6.25
PJ1086W	PJ1086HW	10.13	8.26	6.13	8.75	6.88	7.21	8.89	7.01	5.47	8.25	6.25
PJ12106W	PJ12106HW	12.13	10.26	6.13	10.75	8.88	7.21	10.89	9.01	5.47	10.25	8.25
PJ14126W	PJ14126HW	14.13	12.26	6.13	12.75	10.88	7.21	12.89	11.01	5.47	12.25	10.25
PJ16148W	PJ16148HW	16.27	14.40	8.13	14.75	12.88	9.21	14.89	13.01	7.47	14.25	12.25
PJ18168W	PJ18168HW	18.40	16.40	8.13	16.88	14.88	9.21	16.97	14.97	7.47	16.25	14.25
PJ20168W	PJ20168HW	20.00	16.00	8.13	18.44	14.44	9.21	18.54	14.54	7.47	17.81	13.81

Technical references and CAD downloads available at www.hammondmfg.com

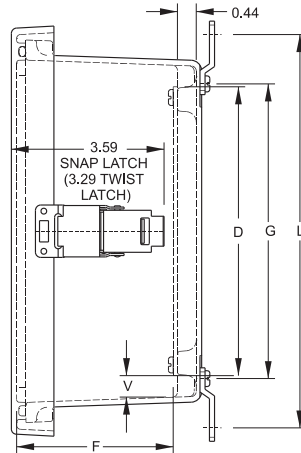
All dimensions in inches unless specified otherwise

Polyester Modular Enclosures - NEMA 4X

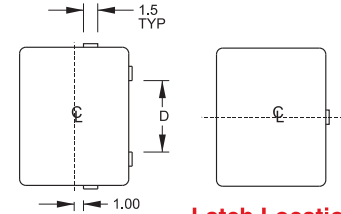
PJ Series - Lift-Off, Hinged, Snap Latch, Twist Latch, Solid and Window Door



Front View



Side View



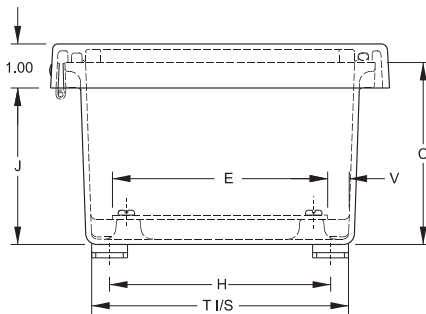
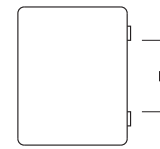
Latch Locations

For use on
18 x 16 x 8 D = 5.25
20 x 16 x 8 D = 9.25

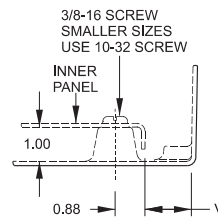
For use on
6 x 6 x 4 8 x 6 x 4
10 x 8 x 6
10 x 8 x 4

Thermal Index
130°C to -40°C (266°F to -40°F)

Impact Index
6.78J (5 ft/lb)

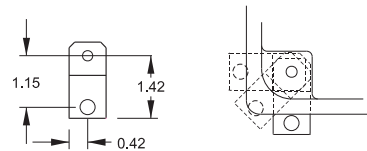


End View



Detail A

For use on
12 x 10 x 6 D = 6.75
14 x 12 x 6 D = 7.25
16 x 14 x 8 D = 7.25



Optional Mounting Feet Locations

Corrosion Resistant Junction Boxes

Window Snap Latch Part No.	Window Twist Latch Part No.	Cover Dimensions								Optional Panel Part No.	Window Dim. HxW	Shipping Weight (lbs)
		L	T	K	M	U	W	R	V			
PJ664LW	PJ664TW	7.32	5.83	6.08	6.08	7.69	7.69	0.44	0.49	14R0505	4.25x4.25	4
PJ864LW	PJ864TW	9.19	5.85	6.11	7.98	9.59	7.71	0.44	0.50	14R0705	4.25x6.25	4
PJ1084LW	PJ1084TW	11.19	7.85	8.44	10.32	11.77	9.90	0.44	0.50	14R0907	8.37x6.5	6
PJ1086LW	PJ1086TW	11.19	7.85	8.44	10.32	11.77	9.90	0.44	0.50	14R0907	8.37x6.5	6
PJ12106LW	PJ12106TW	13.19	9.85	10.45	12.32	13.77	11.90	0.44	0.50	14R1109	10.37x8.5	8
PJ14126LW	PJ14126TW	15.19	11.85	12.45	14.32	15.73	13.85	0.44	0.50	14R1311	12.37x10.5	11
PJ16148LW	PJ16148TW	17.19	13.71	13.86	15.73	17.87	15.99	0.44	0.50	14R1513	13.00x11.00	12
PJ18168LW	PJ18168TW	19.28	15.72	15.86	17.86	20.00	18.00	0.44	0.50	P1868	14.00x12.00	17
PJ20168LW	PJ20168TW	20.84	15.31	15.43	19.43	21.59	17.59	0.44	0.52	P2068	15.00x11.00	19

For aluminum and fiberglass panels...see page 138.

Technical references and CAD downloads available at www.hammondmfg.com

All dimensions in inches unless specified otherwise

Quality Products. Service Excellence.

Polyester Modular Enclosures - NEMA 4X

PJ Series - Raised Lid Lift-Off, Hinged Cover, Solid and Window Door



Window Door



Corrosion Resistant

Junction Boxes

Application

- Designed for use as instrument enclosures, electric, hydraulic or pneumatic control housings, electrical junction boxes or terminal wiring enclosures.
- Provides outstanding insulation and protection where equipment may be hosed down or be very wet.
- Ideal in applications with high temperatures or highly corrosive environments.

Standards

- UL 508 Type 1, 2, 3, 4, 4X, 12 and 13
- UL 508 Type 6P (see table)
- CSA Type 1, 2, 3, 4, 4X, 12 and 13
- CSA Type 6P (see table)
- Complies with
 - NEMA Type 1, 2, 3, 4, 4X, 12 and 13
 - IEC 60529, IP66

Construction

- Molded fiberglass polyester enclosure with matching cover is easily punched, cut, or drilled.
- Enhanced UV inhibitors protect against outdoor weathering.
- Standard JIC sizes under 18" x 16".
- Threaded brass inserts are provided for optional inner panel or terminal kit mounting. Mounting hardware is included.
- Cover fastened with captive stainless steel screws in threaded brass inserts.
- Door fasteners include a provision for padlocking.
- Enclosures are available with bonded polycarbonate viewing windows.
- Door is supported with a continuous stainless steel hinge.
- Captive oil resistant gasket provides a positive seal.
- Threaded brass inserts are provided for mounting feet to the rear of the enclosure.
- Stainless steel mounting brackets and hardware are provided for mounting to the rear of the enclosure.
- Operating temperatures between 130°C and -40°C (266°F to -40°F).
- Impact index of 6.78J (5 ft/lb).

Construction...Cont'd

- For corrosion resistance information, please refer to table in the Technical Information section.

Finish

- Fiberglass polyester material has a gray finish.
- Optional inner panels are available in white powder coated finished steel or unfinished aluminum, or Fiberglass.

Accessories

- Painted steel inner panels
...see page **138**
- PJ/ PJU swing panel...see page **138**
- Unfinished aluminum inner panels...see page **138**
- Fiberglass inner panels
...see page **138**
- Terminal kit assemblies
...see page **441**

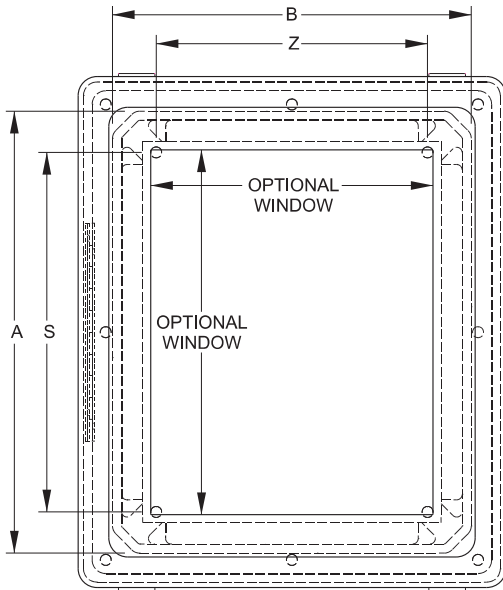
Raised Lift-Off Solid Cover Part No.	Raised Window Cover Lift-Off Part No.	Overall Dimensions			Panel Size						Center	
		A	B	C	D	E	F	G	H	J	S	Z
PJ664R ²	PJ664RW ²	6.10	6.10	4.18	4.88	4.88	5.26	5.01	5.01	3.52	4.25	4.25
PJ864R ²	PJ864RW ²	8.00	6.12	4.13	6.75	4.88	5.21	6.89	5.01	3.47	6.25	4.25
PJ1084R ²	PJ1084RW ²	10.13	8.26	4.13	8.75	6.88	3.68	8.89	7.01	3.47	8.25	6.25
PJ1086R ²	PJ1086RW ²	10.13	8.26	6.13	8.75	6.88	7.21	8.89	7.01	5.47	8.25	6.25
PJ12106R ²	PJ12106RW ²	12.13	10.26	6.13	10.75	8.88	7.21	10.89	9.01	5.47	10.25	8.25
PJ14126R ²	PJ14126RW ²	14.13	12.26	6.13	12.75	10.88	7.21	12.89	11.01	5.47	12.25	10.25
PJ16148R	PJ16148RW	16.27	14.40	8.13	14.75	12.88	9.21	14.89	13.01	7.47	14.25	12.25
PJ18168R	PJ18168RW	18.40	16.40	8.13	16.88	14.88	9.21	16.97	14.97	7.47	16.25	14.25
PJ20168R	PJ20168RW	20.00	16.00	8.13	18.44	14.44	9.21	18.54	14.54	7.47	17.81	13.81

Technical references and CAD downloads available at www.hammondmfg.com

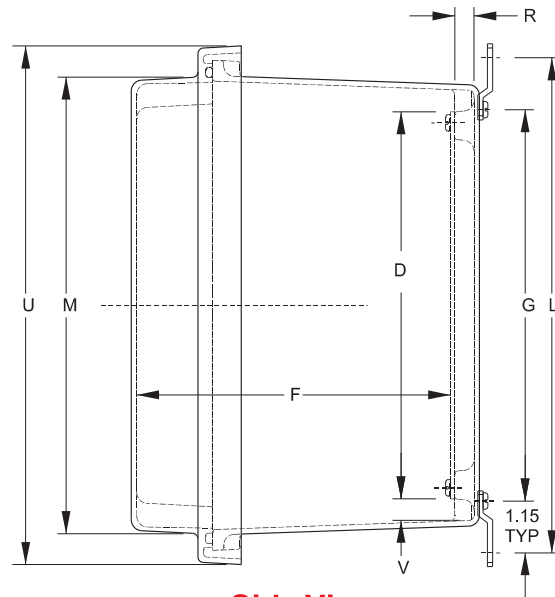
All dimensions in inches unless specified otherwise

Polyester Modular Enclosures - NEMA 4X

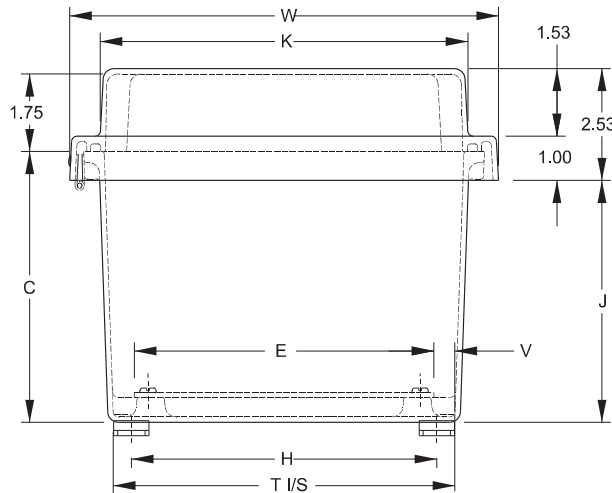
PJ Series - Raised Lid Lift-Off, Hinged Cover, Solid and Window Door



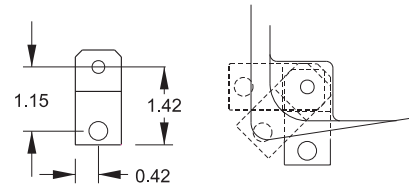
Front View



Side View



End View



Optional Mounting Feet Locations

Thermal Index

130°C to -40°C (266°F to -40°F)

Impact Index

6.78J (5 ft/lb)

Corrosion Resistant Junction Boxes

Raised Hinged Solid Cover Part No.	Raised Window Hinged Cover Part No.	Cover Dimensions								Optional Panel Part No.	Optional Window Dim. HxW	Shipping Weight (lbs)
		L	T	K	M	U	W	R	V			
PJ664RH	PJ664RHW	7.32	5.83	6.08	6.08	7.69	7.69	0.44	0.49	14R0505	4.25x4.25	4
PJ864RH	PJ864RHW	9.19	5.85	6.11	7.98	9.59	7.71	0.44	0.50	14R0705	4.25x6.25	4
PJ1084RH	PJ1084RHW	11.19	7.85	8.44	10.32	11.77	9.90	0.44	0.50	14R0907	8.37x6.5	6
PJ1086RH	PJ1086RHW	11.19	7.85	8.44	10.32	11.77	9.90	0.44	0.50	14R0907	8.37x6.5	6
PJ12106RH	PJ12106RHW	13.19	9.85	10.45	12.32	13.77	11.90	0.44	0.50	14R1109	10.37x8.5	8
PJ14126RH	PJ14126RHW	15.19	11.85	12.45	14.32	15.73	13.85	0.44	0.50	14R1311	12.37x10.5	11
PJ16148RH	PJ16148RHW	17.19	13.71	13.86	15.73	17.87	15.99	0.44	0.50	14R1513	13.00x11.00	12
PJ18168RH	PJ18168RHW	19.28	15.72	15.86	17.86	20.00	18.00	0.44	0.50	P1868	14.00x12.00	17
PJ20168RH	PJ20168RHW	20.84	15.31	15.43	19.43	21.59	17.59	0.44	0.52	P2068	15.00x11.00	19

For aluminum and fiberglass panels...see page 138.

²Type 6P

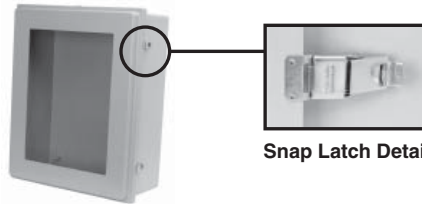
Technical references and CAD downloads available at www.hammondmfg.com

All dimensions in inches unless specified otherwise

Quality Products. Service Excellence.

Polyester Modular Enclosures - NEMA 4X

PJ Series - Raised Lid Snap Latch Hinged Cover, Solid and Window Door



Snap Latch Detail

Window Door

Panel Sold Separately



Corrosion Resistant Junction Boxes

Application

- Designed for use as instrument enclosures, electric, hydraulic or pneumatic control housings, electrical junction boxes or terminal wiring enclosures.
- Provides outstanding insulation and protection where equipment may be hosed down or be very wet.
- Ideal in applications with high temperatures or highly corrosive environments.

Standards

- UL 508 Type 1, 2, 3, 4, 4X, 12 and 13
- CSA Type 1, 2, 3, 4, 4X, 12 and 13
- Complies with
 - NEMA Type 1, 2, 3, 4, 4X, 12, & 13
 - IEC 60529, IP66

Construction

- Molded fiberglass polyester enclosure with matching cover is easily punched, cut, or drilled.
- Enhanced UV inhibitors protect against outdoor weathering.
- Standard JIC sizes under 18"x16".
- Threaded brass inserts are provided for optional inner panel or terminal kit mounting. Mounting hardware is included.
- Stainless steel draw type "snap latch" door fasteners.
- Door fasteners include a provision for padlocking.
- Enclosures are available with bonded polycarbonate viewing windows.
- Door is supported with a continuous stainless steel hinge.
- Captive oil resistant gasket provides a positive seal.
- Threaded brass inserts are provided for mounting feet to the rear of the enclosure.
- Stainless steel mounting brackets and hardware are provided for mounting to the rear of the enclosure.

- Operating temperatures between 130°C and -40°C (266°F to -40°F).
- Impact index of 6.78J (5 ft/lb).
- For corrosion resistance information, please refer to table in the Technical Information section.

Finish

- Fiberglass polyester material has a gray finish.
- Optional inner panels are available in white powder coated finished steel or unfinished aluminum, or fiberglass.

Accessories

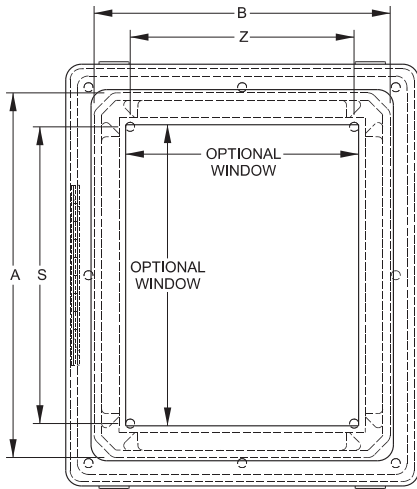
- Painted steel inner panels *...see page 138*
- PJ/ PJU swing panel...*see page 138*
- Unfinished aluminum inner panels...*see page 138*
- Fiberglass inner panels *...see page 138*
- Terminal kit assemblies *...see page 441*

Solid Cover Part No.	Window Cover Part No.	Overall Dimensions			Panel Size				Center		
		A	B	C	D	E	G	H	J	S	Z
PJ664RL	PJ664RLW	6.10	6.10	4.18	4.88	4.88	5.01	5.01	3.52	4.25	4.25
PJ864RL	PJ864RLW	8.00	6.12	4.13	6.75	4.88	6.89	5.01	3.47	6.25	4.25
PJ1084RL	PJ1084RLW	10.13	8.26	4.13	8.75	6.88	8.89	7.01	3.47	8.25	6.25
PJ1086RL	PJ1086RLW	10.13	8.26	6.13	8.75	6.88	8.89	7.01	5.47	8.25	6.25
PJ12106RL	PJ12106RLW	12.13	10.26	6.13	10.75	8.88	10.89	9.01	5.47	10.25	8.25
PJ14126RL	PJ14126RLW	14.13	12.26	6.13	12.75	10.88	12.89	11.01	5.47	12.25	10.25
PJ16148RL	PJ16148RLW	16.27	14.40	8.13	14.75	12.88	14.89	13.01	7.47	14.25	12.25
PJ18168RL	PJ18168RLW	18.40	16.40	8.13	16.88	14.88	16.97	14.97	7.47	16.25	14.25
PJ20168RL	PJ20168RLW	20.00	16.00	8.13	18.44	14.44	18.54	14.54	7.47	17.81	13.81
PJ24208RL	PJ24208RLW	24.00	20.00	8.13	21.00	17.00	22.75	18.75	7.47	19.25	15.25
PJ24248RL ¹	PJ24248RLW ¹	24.00	24.00	8.13	21.00	21.00	22.75	22.75	7.47	19.25	19.25
PJ30248RL ¹	PJ30248RLW ¹	30.00	24.00	8.13	27.00	21.00	28.75	22.75	7.47	25.25	19.25
PJ242010RL ¹	PJ242010RLW ¹	24.00	20.00	10.13	21.00	17.00	22.75	18.75	9.47	19.25	15.25
PJ242410RL ¹	PJ242410RLW ¹	24.00	24.00	10.13	21.00	21.00	22.75	22.75	9.47	19.25	19.25
PJ302410RL ¹	PJ302410RLW ¹	30.00	24.00	10.13	27.00	21.00	28.75	22.75	9.47	25.25	19.25

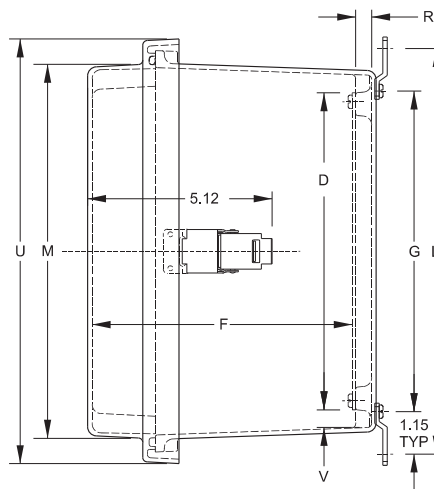
¹ Uses larger mounting foot. See drawing above.

Polyester Modular Enclosures - NEMA 4X

PJ Series - Raised Lid Snap Latch Hinged Cover, Solid and Window Door

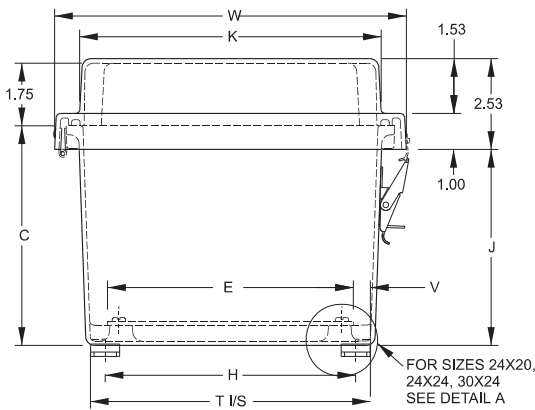
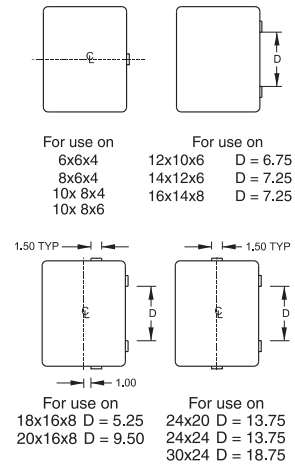


Front View

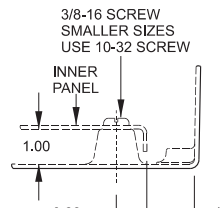


Side View

Latch Locations



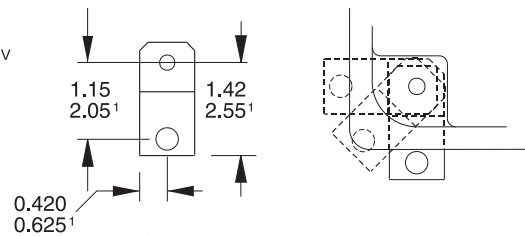
End View



Detail A

Thermal Index
130°C to -40°C (266°F to -40°F)

Impact Index
6.78J (5 ft/lb)



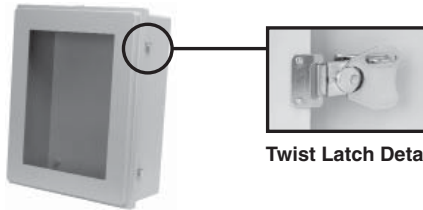
Optional Mounting Feet Locations

Solid Cover Part No.	Window Cover Part No.	L	T	Cover Dimensions		U	W	R	V	Optional Panel Part No.	Optional Window Dim. HxW
				K	M						
PJ664RL	PJ664RLW	7.32	5.83	6.08	6.08	7.69	7.69	0.44	0.49	14R0505	4.25x4.25
PJ864RL	PJ864RLW	9.19	5.85	6.11	7.98	9.59	7.71	0.44	0.50	14R0705	6.25x4.25
PJ1084RL	PJ1084RLW	11.19	7.85	8.44	10.32	11.77	9.90	0.44	0.50	14R0907	8.37x6.5
PJ1086RL	PJ1086RLW	11.19	7.85	8.44	10.32	11.77	9.	0.44	0.50	14R0907	8.37x6.5
PJ12106RL	PJ12106RLW	13.19	9.85	10.45	12.32	13.77	11.90	0.44	0.50	14R1109	10.37x8.5
PJ14126RL	PJ14126RLW	15.19	11.85	12.45	14.32	15.73	13.85	0.44	0.50	14R1311	12.37x10.5
PJ16148RL	PJ16148RLW	17.19	13.71	13.86	15.73	17.87	15.99	0.44	0.50	14R1513	13.00x11.00
PJ18168RL	PJ18168RLW	19.28	15.72	15.86	17.86	20.00	18.00	0.44	0.50	P1868	14.00x12.00
PJ20168RL	PJ20168RLW	20.84	15.31	15.43	19.43	21.59	17.59	0.44	0.52	P2068	15.00x11.00
PJ24208RL	PJ24208RLW	25.06	19.73	20.16	24.16	25.59	21.59	1.00	1.38	18P2117	16.00x12.00
PJ24248RL ¹	PJ24248RLW ¹	25.06	23.73	24.16	24.16	25.59	25.59	1.00	1.38	18P2121	16.00x16.00
PJ30248RL ¹	PJ30248RLW ¹	31.06	23.73	24.16	30.16	31.59	25.59	1.00	1.38	18P2721	23.00x17.00
PJ242010RL ¹	PJ242010RLW ¹	25.06	19.70	20.16	24.16	25.59	21.59	1.00	1.36	18P2117	16.00x12.00
PJ242410RL ¹	PJ242410RLW ¹	25.06	23.70	24.16	24.16	25.59	25.59	1.00	1.36	18P2121	16.00x16.00
PJ302410RL ¹	PJ302410RLW ¹	31.06	23.70	24.16	30.16	31.59	25.59	1.00	1.36	18P2721	23.00x17.00

¹ Uses larger mounting foot. See drawing above.

Polyester Modular Enclosures - NEMA 4X

PJ Series - Raised Lid Twist Latch Hinged Cover, Solid and Window Door



Twist Latch Detail

Window Door

Panel
Sold
Separately



Corrosion Resistant Junction Boxes

Application

- Designed for use as instrument enclosures, electric, hydraulic or pneumatic control housings, electrical junction boxes or terminal wiring enclosures.
- Provides outstanding insulation and protection where equipment may be hosed down or be very wet.
- Ideal in applications with high temperatures or highly corrosive environments.

Standards

- UL 508 Type 1, 2, 3, 4, 4X, 12 and 13
- CSA Type 1, 2, 3, 4, 4X, 12 and 13
- Complies with
 - NEMA Type 1, 2, 3, 4, 4X, 12, & 13
 - IEC 60529, IP66

Construction

- Molded fiberglass polyester enclosure with matching cover is easily punched, cut, or drilled.
- Enhanced UV inhibitors protect against outdoor weathering.
- Threaded brass inserts are provided for optional inner panel or terminal kit mounting. Mounting hardware is included.
- Stainless steel draw type "twist latch" door fasteners.
- Door fasteners include a provision for padlocking.
- Enclosures are available with bonded polycarbonate viewing windows.
- Door is supported with a continuous stainless steel hinge.
- Captive oil resistant gasket provides a positive seal.
- Threaded brass inserts are provided for mounting feet to the rear of the enclosure.
- Stainless steel mounting brackets and hardware are provided for mounting to the rear of the enclosure.

- Operating temperatures between 130°C and -40°C (266°F to -40°F).
- Impact index of 6.78J (5 ft/lb).
- For corrosion resistance information, please refer to table in the Technical Information section.

Finish

- Fiberglass polyester material has a gray finish.
- Optional inner panels are available in white powder coated finished steel or unfinished aluminum, or fiberglass.

Accessories

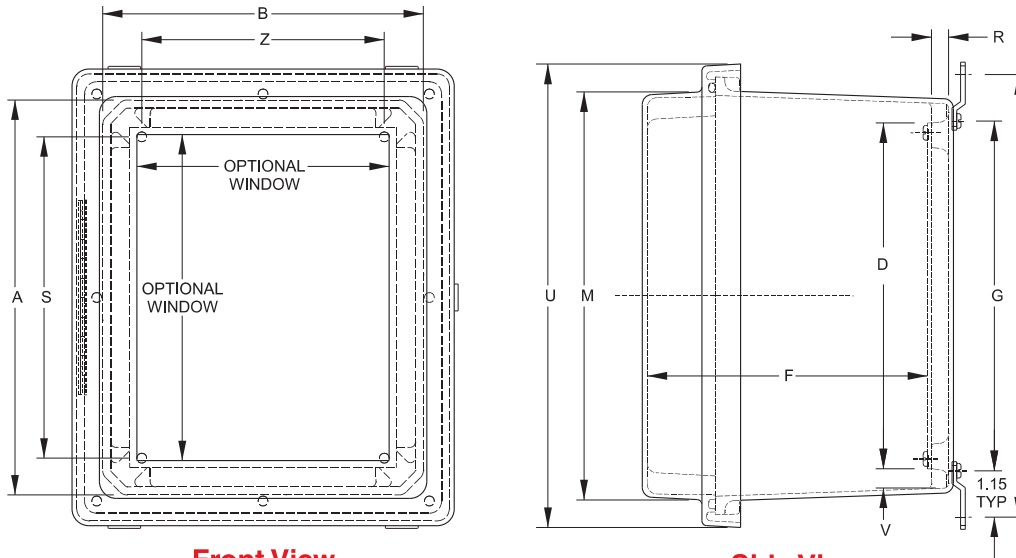
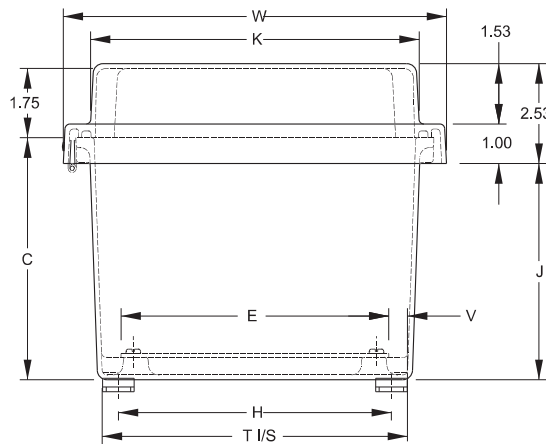
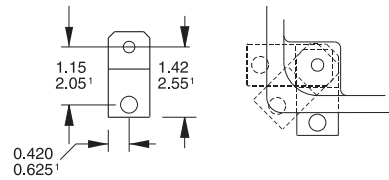
- Painted steel inner panels
...see page **138**
- PJ/ PJU swing panel...see page **138**
- Unfinished aluminum inner panels...see page **138**
- Fiberglass inner panels
...see page **138**
- Terminal kit assemblies
...see page **441**

Solid Cover Part No.	Window Cover Part No.	Overall Dimensions			Panel Size						Center	
		A	B	C	D	E	F	G	H	J	S	Z
PJ664RT	PJ664RTW	6.10	6.10	4.18	4.88	4.88	5.26	5.01	5.01	3.52	4.25	4.25
PJ864RT	PJ864RTW	8.00	6.12	4.13	6.75	4.88	5.21	6.89	5.01	3.47	6.25	4.25
PJ1084RT	PJ1084RTW	10.13	8.26	4.13	8.75	6.88	5.21	8.89	7.01	3.47	8.25	6.25
PJ1086RT	PJ1086RTW	10.13	8.26	6.13	8.75	6.88	7.21	8.89	7.01	5.47	8.25	6.25
PJ12106RT	PJ12106RTW	12.13	10.26	6.13	10.75	8.88	7.21	10.89	9.01	5.47	10.25	8.25
PJ14126RT	PJ14126RTW	14.13	12.26	6.13	12.75	10.88	7.21	12.89	11.01	5.47	12.25	10.25
PJ16148RT	PJ16148RTW	16.27	14.40	8.13	14.75	12.88	9.21	14.89	13.01	7.47	14.25	12.25
PJ18168RT	PJ18168RTW	18.40	16.40	8.13	16.88	14.88	9.21	16.97	14.97	7.47	16.25	14.25
PJ20168RT	PJ20168RTW	20.00	16.00	8.13	18.44	14.44	9.21	18.54	14.54	7.47	17.81	13.81
PJ24208RT ¹	PJ24208RTW ¹	24.00	20.00	8.13	21.00	17.00	8.65	22.75	18.75	7.47	19.25	15.25
PJ24248RT ¹	PJ24248RTW ¹	24.00	24.00	8.13	21.00	21.00	8.65	22.75	22.75	7.47	19.25	19.25
PJ30248RT ¹	PJ30248RTW ¹	30.00	24.00	8.13	27.00	21.00	8.65	28.75	22.75	7.47	25.25	19.25
PJ242010RT ¹	PJ242010RTW ¹	24.00	20.00	10.13	21.00	17.00	10.65	22.75	18.75	9.47	19.25	15.25
PJ242410RT ¹	PJ242410RTW ¹	24.00	24.00	10.13	21.00	21.00	10.65	22.75	22.75	9.47	19.25	19.25
PJ302410RT ¹	PJ302410RTW ¹	30.00	24.00	10.13	27.00	21.00	10.65	28.75	22.75	9.47	25.25	19.25

¹ Uses larger mounting foot. See drawing above.

Polyester Modular Enclosures - NEMA 4X

PJ Series - Raised Lid Twist Latch Hinged Cover, Solid and Window Door


Front View
Side View

End View

Optional Mounting Feet Locations
Thermal Index

130°C to -40°C (266°F to -40°F)

Impact Index

6.78J (5 ft/lb)

Corrosion Resistant Junction Boxes

Solid Cover Part No.	Window Cover Part No.	Cover Dimensions								Optional Panel Part No.	Optional Window Dim. HxW
		L	T	K	M	U	W	R	V		
PJ664RT	PJ664RTW	7.32	5.83	6.08	6.08	7.69	7.69	0.44	0.49	14R0505	4.25x4.25
PJ864RT	PJ864RTW	9.19	5.85	6.11	7.98	9.59	7.71	0.44	0.50	14R0705	6.25x4.25
PJ1084RT	PJ1084RTW	11.19	7.85	8.44	10.32	11.77	9.90	0.44	0.50	14R0907	8.37x6.5
PJ1086RT	PJ1086RTW	11.19	7.85	8.44	10.32	11.77	9.90	0.44	0.50	14R0907	8.37x6.5
PJ12106RT	PJ12106RTW	13.19	9.85	10.45	12.32	13.77	11.90	0.44	0.50	14R1109	10.37x8.5
PJ14126RT	PJ14126RTW	15.19	11.85	12.45	14.32	15.73	13.85	0.44	0.50	14R1311	12.37x10.5
PJ16148RT	PJ16148RTW	17.19	13.71	13.86	15.73	17.87	15.99	0.44	0.50	14R1513	13.00x11.00
PJ18168RT	PJ18168RTW	19.28	15.72	15.86	17.86	20.00	18.00	0.44	0.50	P1868	14.00x12.00
PJ20168RT	PJ20168RTW	20.84	15.31	15.43	19.43	21.59	17.59	0.44	0.52	P2068	15.00x11.00
PJ24208RT	PJ24208RTW	25.06	19.73	20.16	24.16	25.59	21.59	1.00	1.38	18P2117	16.00x12.00
PJ24248RT ¹	PJ24248RTW ¹	25.06	23.73	24.16	24.16	25.59	25.59	1.00	1.38	18P2121	16.00x16.00
PJ30248RT ¹	PJ30248RTW ¹	31.06	23.73	24.16	30.16	31.59	25.59	1.00	1.38	18P2721	23.00x17.00
PJ242010RT ¹	PJ242010RTW ¹	25.06	19.70	20.16	24.16	25.59	21.59	1.00	1.36	18P2117	16.00x12.00
PJ242410RT ¹	PJ242410RTW ¹	25.06	23.70	24.16	24.16	25.59	25.59	1.00	1.36	18P2121	16.00x16.00
PJ302410RT ¹	PJ302410RTW ¹	31.06	23.70	24.16	30.16	31.59	25.59	1.00	1.36	18P2721	23.00x17.00

¹ Uses larger mounting foot. See drawing above.

Polyester Modular Enclosures - NEMA 4X

PJU Series - Snap Latch, Hinged Cover, Solid and Window Door



Clear Cover

**Panel
Sold
Separately**



Corrosion Resistant

Wallmount Enclosures

Application

- Designed for use as instrument enclosures, electric, hydraulic or pneumatic control housings, electrical junction boxes or terminal wiring enclosures.
- Provides outstanding insulation and protection where equipment may be hosed down or be very wet.
- Ideal in applications with high temperatures or highly corrosive environments.

Standards

- UL 508 Type 1, 2, 3, 4, 4X, 12 and 13
- CSA Type 1, 2, 3, 4, 4X, 12 and 13
- Complies with
 - NEMA Type 1, 2, 3, 4, 4X, 12 and 13
 - IEC 60529, IP66

Construction

- Molded fiberglass polyester enclosure with matching cover is easily punched, cut, or drilled.
- Enhanced UV inhibitors protect against outdoor weathering.
- Standard JIC sizes under 18" x 16".
- Threaded brass inserts are provided for optional inner panel or terminal kit mounting. Mounting hardware is included.
- Stainless steel draw type "snap latch" door fasteners.
- Door fasteners include a provision for padlocking.
- Enclosure available with clear Polycarbonate cover to 16" x 14".
- Molded hinge with stainless steel pin.
- Captive oil resistant gasket provides a positive seal.
- Available with Polycarbonate flange or foot mount brackets for multi-directional mounting.
- Operating temperatures between 130°C and -40°C (266°F to -40°F).
- Impact index of 6.78J (5 ft/lb).
- For corrosion resistance information, please refer to table in the Technical Information section.

Finish

- Fiberglass polyester material has a gray finish.
- Optional inner panels are available in white powder coated finished steel or unfinished aluminum, or Fiberglass.

Accessories

- Painted steel inner panels
...see page 138
- PJ/ PJU swing panel...*see page 138*
- Unfinished aluminum inner panels...*see page 138*
- Fiberglass inner panels
...see page 138
- Terminal kit assemblies
...see page 441

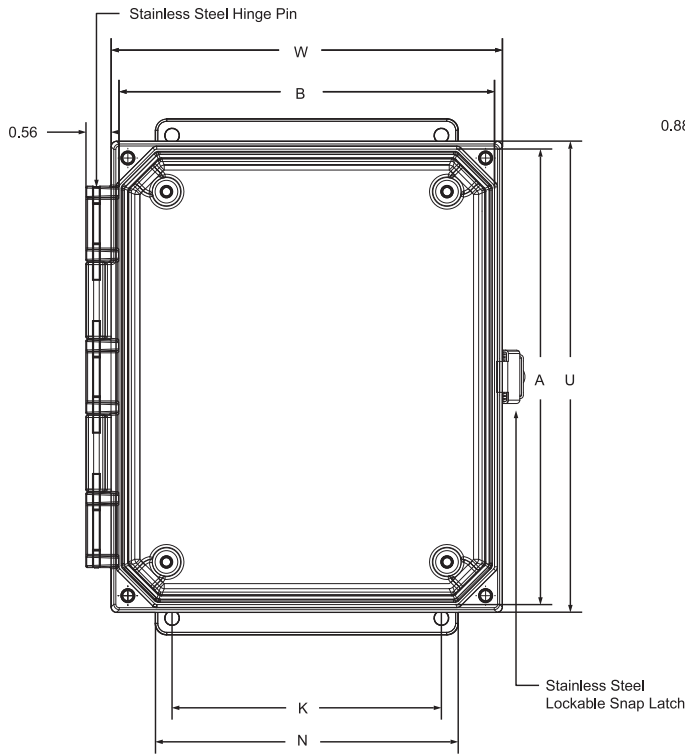
Hinged Snap Latch Flange Part No.	Hinged Snap Latch Feet Part No.	Overall Dimensions			Panel Size			Panel Centers		Flange Mounting Centers		
		A	B	C	D	E	F	S	Z	L	K	M
PJU664LF	PJU664L	6.05	6.27	4.13	4.88	4.88	4.11	4.25	4.25	6.88 / 6.75	4.05	7.62
PJU864LF	PJU864L	8.05	6.27	4.13	6.75	4.88	4.11	6.25	4.25	8.88 / 8.75	4.00	9.62
PJU1084LF	PJU1084L	10.05	8.27	4.13	8.75	6.88	4.11	10.25	6.25	10.75	6.00	11.50
PJU12106LF	PJU12106L	12.05	10.27	6.13	10.75	8.88	6.11	10.25	8.25	12.75	8.00	13.50
PJU14126LF	PJU14126L	14.05	12.27	6.13	12.75	10.88	6.11	12.25	10.25	14.75 / 14.62	10.00	15.37
PJU16148LF	PJU16148L	16.05	14.27	8.13	14.75	12.88	8.11	14.25	12.25	16.75	12.00	17.50
PJU181610LF	PJU181610L	18.30	16.52	10.13	16.88	14.88	10.11	16.25	14.25	18.88 / 18.76	12.00	20.12
PJU201610LF	PJU201610L	20.50	16.27	10.13	18.44	14.44	10.11	17.81	13.81	21.25	10.00	21.50

Technical references and CAD downloads available at www.hammondmfg.com

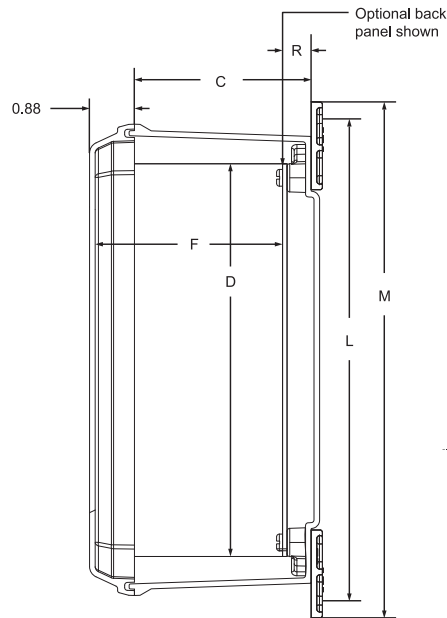
All dimensions in inches unless specified otherwise

Polyester Modular Enclosures - NEMA 4X

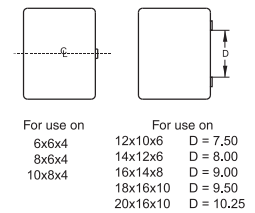
PJU Series - Snap Latch, Hinged Cover, Solid and Window Door



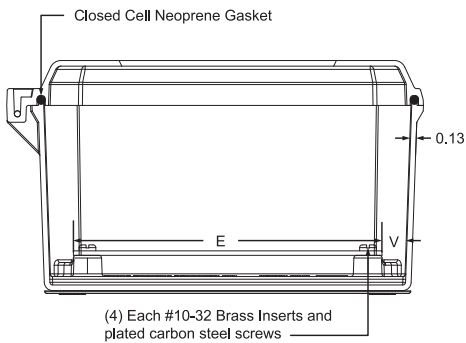
Front View



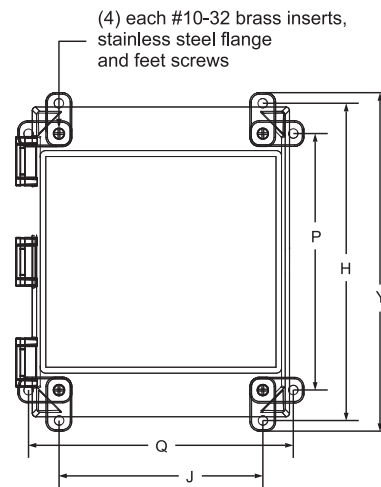
Side View



Latch Locations



End View



Rear View

Hinged Snap Latch Clear Cover Flange Part No.	Hinged Snap Latch Clear Cover Feet Part No.	N	H	J	P	Q	U	W	Y	R	V	Optional Panel Part No.	Shipping Weight (lbs)
PJU664CCLF	PJU664CCL	4.80	6.75	4.91	4.69	6.97	6.50	6.72	7.47	0.70	0.52	14R0505	4
PJU864CCLF	PJU864CCL	4.75	8.75	4.91	6.69	6.97	8.50	6.72	9.46	0.70	0.62	14R0705	4
PJU1084CCLF	PJU1084CCL	6.75	10.75	6.91	8.69	8.97	10.50	8.72	11.47	0.70	0.53	14R0907	6
PJU12106CCLF	PJU12106CCL	8.75	12.70	8.82	10.64	10.88	12.50	10.72	13.47	0.68	0.44	14R1109	6
PJU14126CCLF	PJU14126CCL	10.75	14.70	10.82	12.64	12.88	14.50	12.72	15.37	0.70	0.46	14R1311	8
PJU16148CCLF	PJU16148CCL	12.75	16.91	11.47	13.50	14.88	16.50	14.72	17.50	0.70	0.40	14R1513	11
N/A	N/A	12.75	19.16	13.72	15.75	17.13	18.75	16.97	19.89	0.70	0.45	P1868	12
N/A	N/A	12.75	20.53	13.16	17.13	16.56	20.50	16.72	21.28	0.70	0.50	P2068	17

For aluminum and fiberglass panels...see page 138.

Technical references and CAD downloads available at www.hammondmfg.com

All dimensions in inches unless specified otherwise

Quality Products. Service Excellence.

Polyester Modular Enclosures - NEMA 4X

PJU Series - Twist Latch, Hinged Cover, Solid and Window Door



Clear Cover

**Panel
Sold
Separately**



Corrosion Resistant

Wallmount Enclosures

Application

- Designed for use as instrument enclosures, electric, hydraulic or pneumatic control housings, electrical junction boxes or terminal wiring enclosures.
- Provides outstanding insulation and protection where equipment may be hosed down or be very wet.
- Ideal in applications with high temperatures or highly corrosive environments.

Standards

- UL 508 Type 1, 2, 3, 4, 4X, 12 and 13
- CSA Type 1, 2, 3, 4, 4X, 12 and 13
- Complies with
 - NEMA Type 1, 2, 3, 4, 4X, 12 and 13
 - IEC 60529, IP66

Construction

- Molded fiberglass polyester enclosure with matching cover is easily punched, cut, or drilled.
- Enhanced UV inhibitors protect against outdoor weathering.
- Standard JIC sizes under 18" x 16".
- Threaded brass inserts are provided for optional inner panel or terminal kit mounting. Mounting hardware is included.
- Stainless steel butterfly type "twist latch" door fasteners.
- Door fasteners include a provision for padlocking.
- Enclosure available with clear Polycarbonate cover to 16" x 14".
- Molded hinge with stainless steel pin.
- Captive oil resistant gasket provides a positive seal.
- Available with Polycarbonate flange or foot mount brackets for multi-directional mounting.
- Operating temperatures between 130°C and -40°C (266°F to -40°F).
- Impact index of 6.78J (5 ft/lb).
- For corrosion resistance information, please refer to table in the Technical Information section.

Finish

- Fiberglass polyester material has a gray finish.
- Optional inner panels are available in white powder coated finished steel or unfinished aluminum, or Fiberglass.

Accessories

- Painted steel inner panels
...see page **138**
- PJ/ PJU swing panel...see page **138**
- Unfinished aluminum inner panels...see page **138**
- Fiberglass inner panels
...see page **138**
- Terminal kit assemblies
...see page **441**

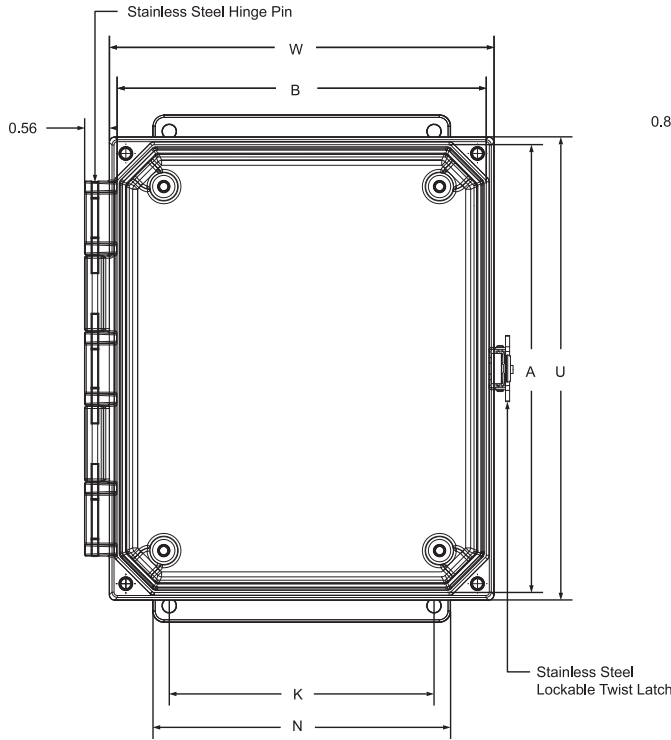
Hinged Twist Latch Flange Part No.	Hinged Twist Latch Feet Part No.	Overall Dimensions			Panel Size			Panel Centers		Flange Mounting Centers		
		A	B	C	D	E	F	S	Z	L	K	M
PJU664TF	PJU664T	6.05	6.27	4.13	4.88	4.88	4.11	4.25	4.25	6.88 / 6.75	4.05	7.62
PJU864TF	PJU864T	8.05	6.27	4.13	6.75	4.88	4.11	6.25	4.25	8.88 / 8.75	4.00	9.62
PJU1084TF	PJU1084T	10.05	8.27	4.13	8.75	6.88	4.11	10.25	6.25	10.75	6.00	11.50
PJU12106TF	PJU12106T	12.05	10.27	6.13	10.75	8.88	6.11	10.25	8.25	12.75	8.00	13.50
PJU14126TF	PJU14126T	14.05	12.27	6.13	12.75	10.88	6.11	12.25	10.25	14.75 / 14.62	10.00	15.37
PJU16148TF	PJU16148T	16.05	14.27	8.13	14.75	12.88	8.11	14.25	12.25	16.75	12.00	17.50
PJU181610TF	PJU181610T	18.30	16.52	10.13	16.88	14.88	10.11	16.25	14.25	18.88 / 18.76	12.00	20.12
PJU201610TF	PJU201610T	20.50	16.27	10.13	18.44	14.44	10.11	17.81	13.81	21.25	10.00	21.50

Technical references and CAD downloads available at www.hammondmfg.com

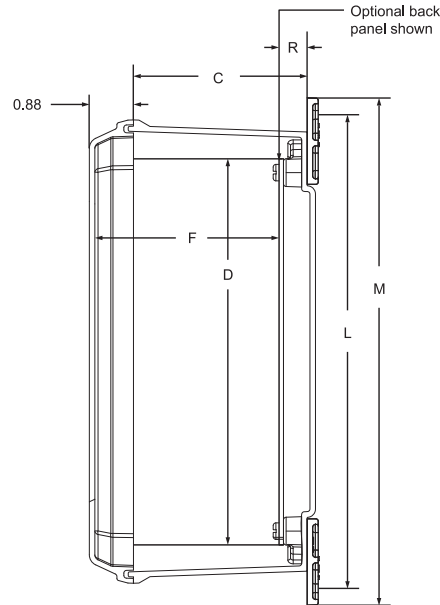
All dimensions in inches unless specified otherwise

Polyester Modular Enclosures - NEMA 4X

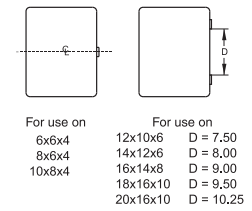
PJU Series - Twist Latch, Hinged Cover, Solid and Window Door



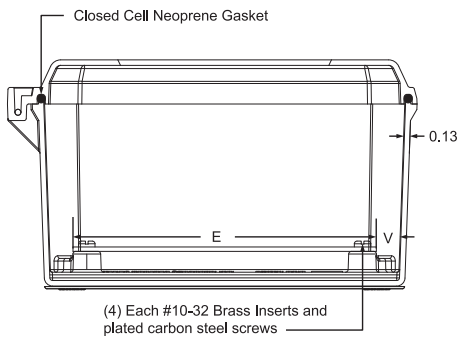
Front View



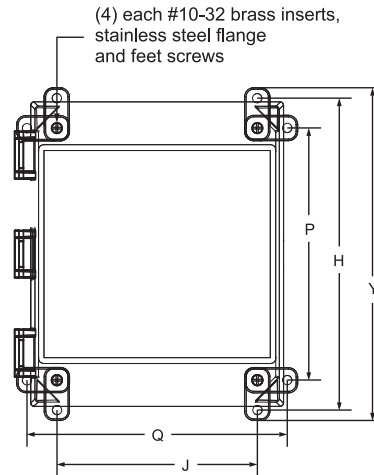
Side View



Latch Locations



End View



Rear View

Corrosion Resistant

Wallmount Enclosures

Hinged Twist Latch Clear Cover Flange Part No.	Hinged Twist Latch Clear Cover Feet Part No.	N	H	J	P	Q	U	W	Y	R	V	Optional Panel Part No.	Shipping Weight (lbs)
PJU664CCTF	PJU664CCT	4.80	6.75	4.91	4.69	6.97	6.50	6.72	7.47	0.70	0.52	14R0505	4
PJU864CCTF	PJU864CCT	4.75	8.75	4.91	6.69	6.97	8.50	6.72	9.46	0.70	0.62	14R0705	4
PJU1084CCTF	PJU1084CCT	6.75	10.75	6.91	8.69	8.97	10.50	8.72	11.47	0.70	0.53	14R0907	6
PJU12106CCTF	PJU12106CCT	8.75	12.70	8.82	10.64	10.88	12.50	10.72	13.47	0.68	0.44	14R1109	6
PJU14126CCTF	PJU14126CCT	10.75	14.70	10.82	12.64	12.88	14.50	12.72	15.37	0.70	0.46	14R1311	8
PJU16148CCTF	PJU16148CCT	12.75	16.91	11.47	13.50	14.88	16.50	14.72	17.50	0.70	0.40	14R1513	11
N/A	N/A	12.75	19.16	13.72	15.75	17.13	18.75	16.97	19.89	0.70	0.45	P1868	12
N/A	N/A	12.75	20.53	13.16	17.13	16.56	20.50	16.72	21.28	0.70	0.50	P2068	17

For aluminum and fiberglass panels...see page 138.

Technical references and CAD downloads available at www.hammondmfg.com

All dimensions in inches unless specified otherwise

Quality Products. Service Excellence.

Polyester Modular Enclosures - NEMA 4X

PJU Series - Lift-Off, Solid and Window Door



Clear Cover



Corrosion Resistant

Wallmount Enclosures

Application

- Designed for use as instrument enclosures, electric, hydraulic or pneumatic control housings, electrical junction boxes or terminal wiring enclosures.
- Provides outstanding insulation and protection where equipment may be hosed down or be very wet.
- Ideal in applications with high temperatures or highly corrosive environments.

Standards

- UL 508 Type 1, 2, 3, 4, 4X, 12 and 13
- UL 508 Type 3P (see table)
- CSA Type 1, 2, 3, 4, 4X, 12 and 13
- CSA Type 6P (see table)
- Complies with
 - NEMA Type 1, 2, 3, 4, 4X, 12 and 13
 - IEC 60529, IP66

Construction

- Molded fiberglass polyester enclosure with matching cover is easily punched, cut, or drilled.
- Enhanced UV inhibitors protect against outdoor weathering.
- Standard JIC sizes under 18" x 16".
- Threaded brass inserts are provided for optional inner panel or terminal kit mounting. Mounting hardware is included.
- Cover fastened with captive stainless steel screws in threaded brass inserts.
- Enclosure available with clear Polycarbonate cover to 16" x 14".
- Captive oil resistant gasket provides a positive seal.
- Available with Polycarbonate flange or foot mount brackets for multi-directional mounting.
- Operating temperatures between 130°C and -40°C (266°F to -40°F).
- Impact index of 6.78J (5 ft/lb).
- For corrosion resistance information, please refer to table in the Technical Information section.

Finish

- Fiberglass polyester material has a gray finish.
- Optional inner panels are available in white powder coated finished steel or unfinished aluminum, or Fiberglass.

Accessories

- Painted steel inner panels
...see page **138**
- PJ/ PJU swing panel...see page **138**
- Unfinished aluminum inner panels...see page **138**
- Fiberglass inner panels
...see page **138**
- Terminal kit assemblies
...see page **441**

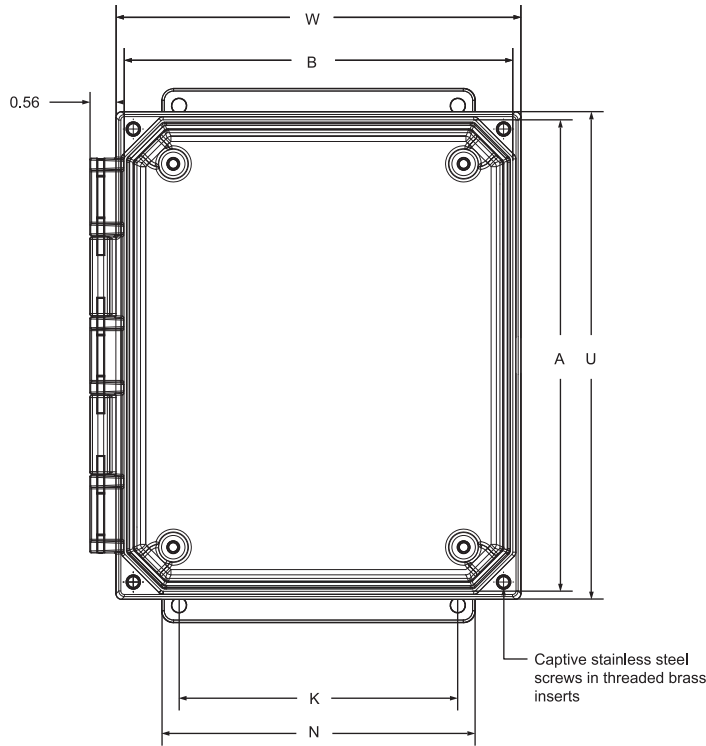
Lift-Off Cover Flange Part No.	Lift-Off Cover Feet Part No.	Overall Dimensions			Panel Size			Panel Centers		Flange Mounting Centers		
		A	B	C	D	E	F	S	Z	L	K	M
PJU664F ²	PJU664 ²	6.05	6.27	4.13	4.88	4.88	4.11	4.25	4.25	6.88 / 6.75	4.05	7.62
PJU864F ²	PJU864 ²	8.05	6.27	4.13	6.75	4.88	4.11	6.25	4.25	8.88 / 8.75	4.00	9.62
PJU1084F ²	PJU1084 ²	10.05	8.27	4.13	8.75	6.88	4.11	10.25	6.25	10.75	6.00	11.50
PJU12106F ²	PJU12106 ²	12.05	10.27	6.13	10.75	8.88	6.11	10.25	8.25	12.75	8.00	13.50
PJU14126F ²	PJU14126 ²	14.05	12.27	6.13	12.75	10.88	6.11	12.25	10.25	14.75 / 14.62	10.00	15.37
PJU16148F	PJU16148	16.05	14.27	8.13	14.75	12.88	8.11	14.25	12.25	16.75	12.00	17.50
PJU181610F	PJU181610	18.30	16.52	10.13	16.88	14.88	10.11	16.25	14.25	18.88 / 18.76	12.00	20.12
PJU201610F	PJU201610	20.50	16.27	10.13	18.44	14.44	10.11	17.81	13.81	21.25	10.00	21.50

Technical references and CAD downloads available at www.hammondmfg.com

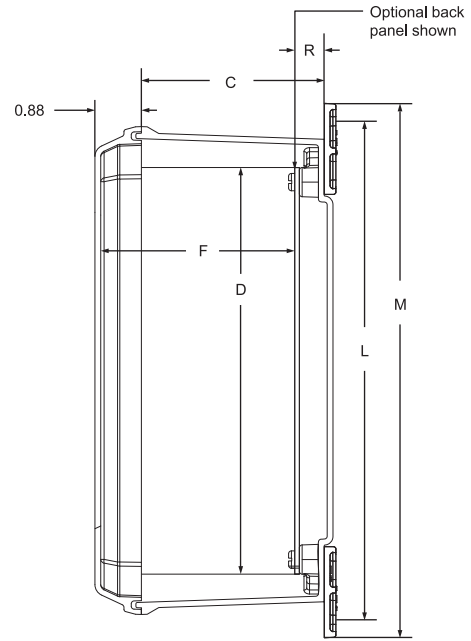
All dimensions in inches unless specified otherwise

Polyester Modular Enclosures - NEMA 4X

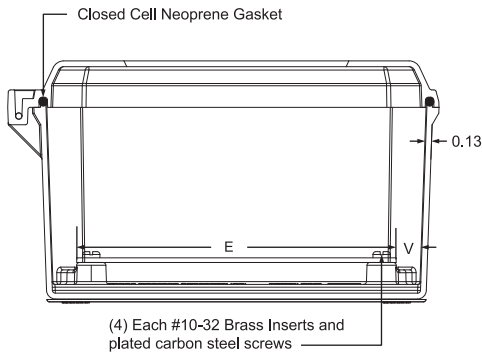
PJU Series - Lift-Off, Solid and Window Door



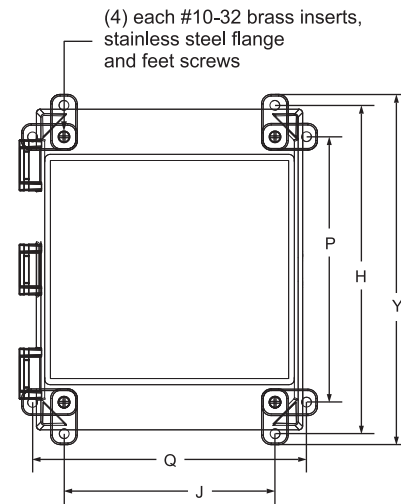
Front View



Side View



End View



Rear View

Corrosion Resistant

Wallmount Enclosures

Lift-Off Clear Cover Flange Part No.	Lift-Off Clear Cover Feet Part No.	N	H	J	P	Q	U	W	Y	R	V	Optional Panel Part No.	Shipping Weight (lbs)
PJU664CCF ²	PJU664CC ²	4.80	6.75	4.91	4.69	6.97	6.50	6.72	7.47	0.70	0.52	14R0505	4
PJU864CCF ²	PJU864CC ²	4.75	8.75	4.91	6.69	6.97	8.50	6.72	9.46	0.70	0.62	14R0705	4
PJU1084CCF ²	PJU1084CC ²	6.75	10.75	6.91	8.69	8.97	10.50	8.72	11.47	0.70	0.53	14R0907	6
PJU12106CCF ²	PJU12106CC ²	8.75	12.70	8.82	10.64	10.88	12.50	10.72	13.47	0.68	0.44	14R1109	6
PJU14126CCF ²	PJU14126CC ²	10.75	14.70	10.82	12.64	12.88	14.50	12.72	15.37	0.70	0.46	14R1311	8
PJU16148CCF	PJU16148CC	12.75	16.91	11.47	13.50	14.88	16.50	14.72	17.50	0.70	0.40	14R1513	11
N/A	N/A	12.75	19.16	13.72	15.75	17.13	18.75	16.97	19.89	0.70	0.45	P1868	12
N/A	N/A	12.75	20.53	13.16	17.13	16.56	20.50	16.72	21.28	0.70	0.50	P2068	17

For aluminum and fiberglass panels...see page 138.

² Type 6P

Technical references and CAD downloads available at www.hammondmfg.com

All dimensions in inches unless specified otherwise

Quality Products. Service Excellence.

Polyester Modular Enclosures - NEMA 4X

PJU Series - Hinged Screw Cover, Solid and Window Door



Clear Cover

**Panel
Sold
Separately**



Corrosion Resistant

Wallmount Enclosures

Application

- Designed for use as instrument enclosures, electric, hydraulic or pneumatic control housings, electrical junction boxes or terminal wiring enclosures.
- Provides outstanding insulation and protection where equipment may be hosed down or be very wet.
- Ideal in applications with high temperatures or highly corrosive environments.

Standards

- UL 508 Type 1, 2, 3, 4, 4X, 12 and 13
- CSA Type 1, 2, 3, 4, 4X, 12 and 13
- Complies with
 - NEMA Type 1, 2, 3, 4, 4X, 12 and 13
- IEC 60529, IP66

Construction

- Molded fiberglass polyester enclosure with matching cover is easily punched, cut, or drilled.
- Enhanced UV inhibitors protect against outdoor weathering.
- Standard JIC sizes under 18" x 16".
- Threaded brass inserts are provided for optional inner panel or terminal kit mounting. Mounting hardware is included.
- Cover fastened with captive stainless steel screws in threaded brass inserts.
- Enclosure available with clear Polycarbonate cover to 16" x 20".
- Molded hinge with stainless steel pin.
- Captive oil resistant gasket provides a positive seal.
- Available with Polycarbonate flange or foot mount brackets for multi-directional mounting.
- Operating temperatures between 130°C and -40°C (266°F to -40°F).
- Impact index of 6.78J (5 ft/lb).
- For corrosion resistance information, please refer to table in the Technical Information section.

Finish

- Fiberglass polyester material has a gray finish.
- Optional inner panels are available in white powder coated finished steel or unfinished aluminum, or Fiberglass.

Accessories

- Painted steel inner panels
...see page **138**
- PJ/ PJU swing panel...see page **138**
- Unfinished aluminum inner panels...see page **138**
- Fiberglass inner panels
...see page **138**
- Terminal kit assemblies
...see page **441**

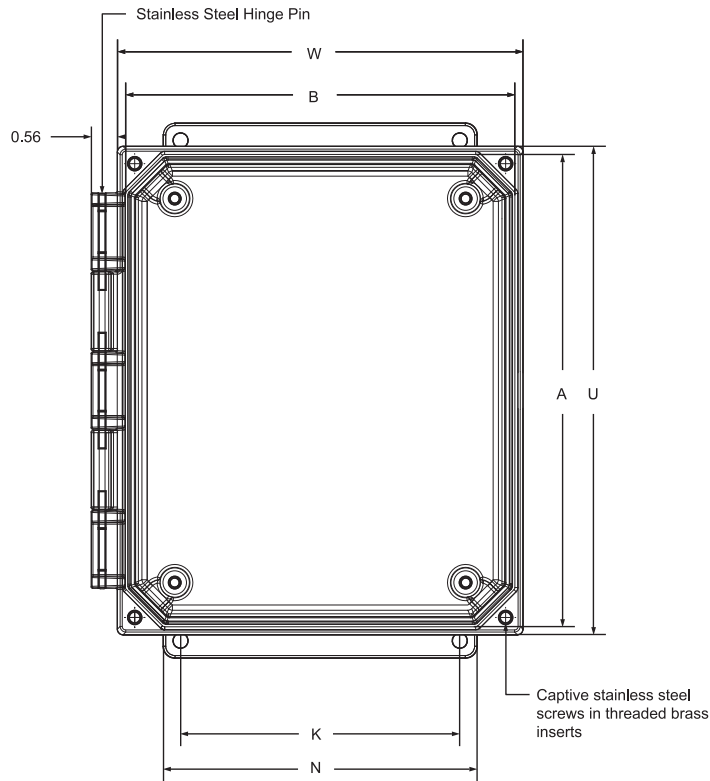
Hinged Screw Cover Flange Part No.	Hinged Screw Cover Feet Part No.	Overall Dimensions			Panel Size			Panel Centers		Flange Mounting Centers		
		A	B	C	D	E	F	S	Z	L	K	M
PJU664HF	PJU664H	6.05	6.27	4.13	4.88	4.88	4.11	4.25	4.25	6.88 / 6.75	4.05	7.62
PJU864HF	PJU864H	8.05	6.27	4.13	6.75	4.88	4.11	6.25	4.25	8.88 / 8.75	4.00	9.62
PJU1084HF	PJU1084H	10.05	8.27	4.13	8.75	6.88	4.11	10.25	6.25	10.75	6.00	11.50
PJU12106HF	PJU12106H	12.05	10.27	6.13	10.75	8.88	6.11	10.25	8.25	12.75	8.00	13.50
PJU14126HF	PJU14126H	14.05	12.27	6.13	12.75	10.88	6.11	12.25	10.25	14.75 / 14.62	10.00	15.37
PJU16148HF	PJU16148H	16.05	14.27	8.13	14.75	12.88	8.11	14.25	12.25	16.75	12.00	17.50
PJU181610HF	PJU181610H	18.30	16.52	10.13	16.88	14.88	10.11	16.25	14.25	18.88 / 18.76	12.00	20.12
PJU201610HF	PJU201610H	20.50	16.27	10.13	18.44	14.44	10.11	17.81	13.81	21.25	10.00	21.50

Technical references and CAD downloads available at www.hammondmfg.com

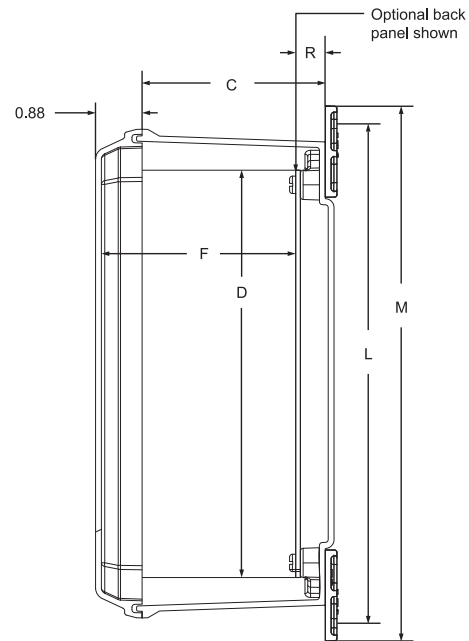
All dimensions in inches unless specified otherwise

Polyester Modular Enclosures - NEMA 4X

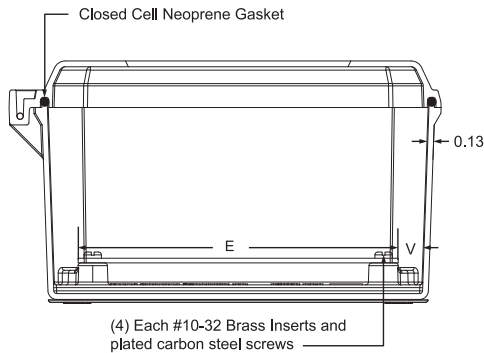
PJU Series - Hinged Screw Cover, Solid and Window Door



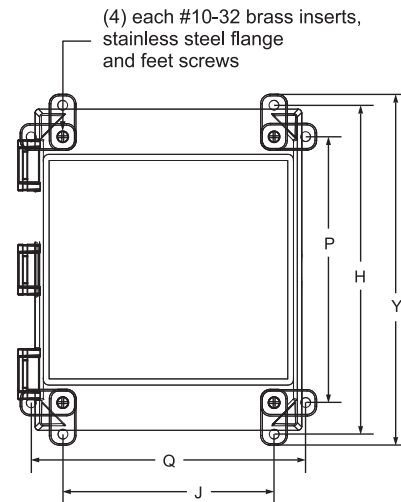
Front View



Side View



End View



Rear View

Corrosion Resistant

Wallmount Enclosures

Hinged Screw Clear Cover Flange Part No.	Hinged Screw Clear Cover Feet Part No.	N	H	J	P	Q	U	W	Y	R	V	Optional Panel Part No.	Shipping Weight (lbs)
PJU664CCHF	PJU664CCH	4.80	6.75	4.91	4.69	6.97	6.50	6.72	7.47	0.70	0.52	14R0505	4
PJU864CCHF	PJU864CCH	4.75	8.75	4.91	6.69	6.97	8.50	6.72	9.46	0.70	0.62	14R0705	4
PJU1084CCHF	PJU1084CCH	6.75	10.75	6.91	8.69	8.97	10.50	8.72	11.47	0.70	0.53	14R0907	6
PJU12106CCHF	PJU12106CCH	8.75	12.70	8.82	10.64	10.88	12.50	10.72	13.47	0.68	0.44	14R1109	6
PJU14126CCHF	PJU14126CCH	10.75	14.70	10.82	12.64	12.88	14.50	12.72	15.37	0.70	0.46	14R1311	8
PJU16148CCHF	PJU16148CCH	12.75	16.91	11.47	13.50	14.88	16.50	14.72	17.50	0.70	0.40	14R1513	11
N/A	N/A	12.75	19.16	13.72	15.75	17.13	18.75	16.97	19.89	0.70	0.45	P1868	12
N/A	N/A	12.75	20.53	13.16	17.13	16.56	20.50	16.72	21.28	0.70	0.50	P2068	17

For aluminum and fiberglass panels...see page 138.

Technical references and CAD downloads available at www.hammondmfg.com

All dimensions in inches unless specified otherwise

Quality Products. Service Excellence.

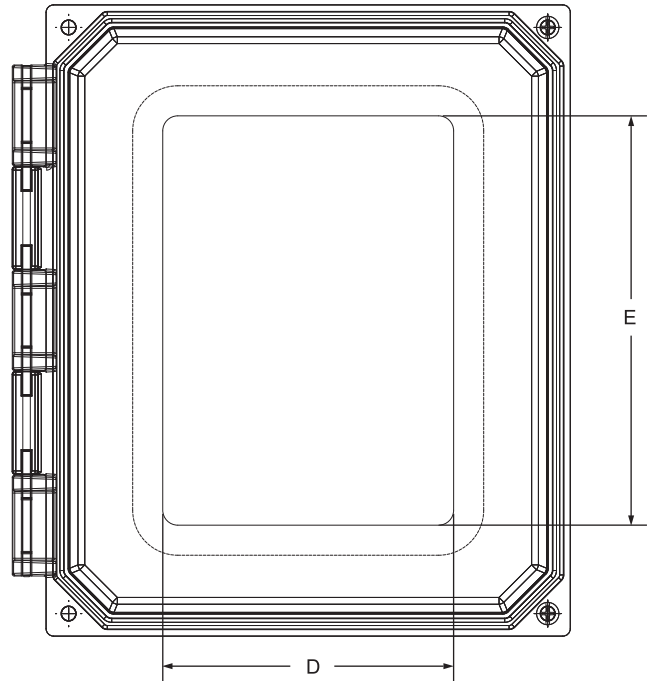
Polyester Modular Enclosures - NEMA 4X

PJU Series - Enclosure with Viewing

Application

- Designed for use as instrument enclosures, electric, hydraulic or pneumatic control housings, electrical junction boxes or terminal wiring enclosures.
- Provides outstanding insulation and protection where equipment may be hosed down or be very wet.
- Ideal in applications with high temperatures or highly corrosive environments.

Panel Sold Separately



Standards

- UL 508 Type 1, 2, 3, 4, 4X, 12 and 13
- CSA Type 1, 2, 3, 4, 4X, 12 and 13
- Complies with
 - NEMA Type 1, 2, 3, 4, 4X, 12 and 13
 - IEC 60529, IP66

- High UV resistant Polycarbonate Viewing Window
- Factory installed
- Maintains Nema 4X ratings

Part No.	Overall Dimensions			Viewing Window	
	Height	Width	Depth	D	E
PJU664*	6.05	6.27	4.13	3.50	3.50
PJU864*	8.05	6.27	4.13	4.00	5.25
PJU1084*	10.05	8.27	4.13	4.25	6.25
PJU12106*	12.05	10.27	6.13	6.50	8.38
PJU14126*	14.05	12.27	6.13	8.50	10.38
PJU16148*	16.05	14.27	8.13	10.50	12.38
PJU181610*	18.30	16.52	10.13	11.00	13.00
PJU201610*	20.50	16.27	10.13	12.00	14.00

* see chart below for full part number & latch including mounting feet

Lift-Off Viewing Window Flange	Lift-Off Viewing Window Feet	Hinged Screw Cover Viewing Window Flange	Hinged Screw Cover Viewing Window Feet	Hinged Snap Latch Viewing Window Flange	Hinged Snap Latch Viewing Window Feet	Hinged Twist Latch Viewing Window Flange	Hinged Twist Latch Viewing Window Feet
PJU664WF	PJU664W	PJU664HWF	PJU664HW	PJU664LWF	PJU664LW	PJU664TWF	PJU664TW
PJU864WF	PJU864W	PJU864HWF	PJU864HW	PJU864LWF	PJU864LW	PJU864TWF	PJU864TW
PJU1084WF	PJU1084W	PJU1084HWF	PJU1084HW	PJU1084LWF	PJU1084LW	PJU1084TWF	PJU1084TW
PJU12106WF	PJU12106W	PJU12106HWF	PJU12106HW	PJU12106LWF	PJU12106LW	PJU12106TWF	PJU12106TW
PJU14126WF	PJU14126W	PJU14126HWF	PJU14126HW	PJU14126LWF	PJU14126LW	PJU14126TWF	PJU14126TW
PJU16148WF	PJU16148W	PJU16148HWF	PJU16148HW	PJU16148LWF	PJU16148LW	PJU16148TWF	PJU16148TW
PJU181610WF	PJU181610W	PJU181610HWF	PJU181610HW	PJU181610LWF	PJU181610LW	PJU181610TWF	PJU181610TW
PJU201610WF	PJU201610W	PJU201610HWF	PJU201610HW	PJU201610LWF	PJU201610LW	PJU201610TWF	PJU201610TW

Technical references and CAD downloads available at www.hammondmfg.com

All dimensions in inches unless specified otherwise

Polyester Modular Enclosures - NEMA 4X

PJ Accessories

PJ Series Inner Panel

- 14 gauge steel panels are finished in white baked powder coating.
- Aluminum panels are 0.080" (2.03 mm) type 5052 H-32 aluminum, unpainted. A2420 and larger panels are 0.125".
- Fiberglass inner panels are Finished in white
- Hardware to mount inner panel is included with PJ Series Enclosures.

Steel Part No.	Aluminum Part No.	Fiberglass Part No.	Fiberglass Thickness	Panel		For Use With PJ Series	
				Length	Width	A	B
14R0505	14A0505	14F0505	0.125	4.88	4.88	6.10	6.10
14R0705	14A0705	14F0705	0.125	6.75	4.88	8.00	6.13
14R0907	14A0907	14F0907	0.125	8.75	6.88	10.14	8.26
14R1109	14A1109	14F1109	0.125	10.75	8.88	12.14	10.26
14R1311	14A1311	14F1311	0.187	12.75	10.88	14.13	12.25
14R1513	14A1513	14F1513	0.187	14.75	12.88	16.28	14.40
P1868	A1868	F1868	0.187	16.88	14.88	18.40	16.40
P2068	A2068	F2068	0.250	18.44	14.44	20.00	16.00
18P2117	A2420	F2420	0.250	21.00	17.00	24.00	20.00
18P2121	A2424	F2424	0.250	21.00	21.00	24.00	24.00
18P2721	A3024	F3024	0.250	27.00	21.00	30.00	24.00

Moulded Polycarbonate Flange For PJU Series (sold in Pairs)



Part No.	PJU Flange Fits
PJFPUWM6	6x6, 8x6
PJFPUWM108	10x8
PJFPUWM1210	12x10
PJFPUWM1412	14x12
PJFPUWM1614	16x14
PJFPUWM1816	18x16
PJFPUWM2016	20x16

Moulded Polycarbonate Feet For PJU Series (sold in sets of 4)



Part No.	PJU Feet Fits
PJW4NUFS	6x6 through 14x12
PJW4NULFS	16x14 through 20x16

Stainless Mounting Feet For PJ Series (sold in sets of 4)



Part No.	304 SS PJ Feet Fits
PJW4NFS	6x6 through 20x16
PJW4NLS	24x20 through 30x24

PJ/PJU Series Swing Panel



Use with PJ Series Raised Lid Enclosures

Part No.	Panel Dimensions	
	Height	Width
PJSP108	9.50	7.50
PJSP1210	11.50	9.50
PJSP1412	13.50	11.50
PJSP1614	15.13	13.00
PJSP1816	17.25	15.38
PJSP2016	18.88	14.94
PJSP2420	23.25	19.38
PJSP2424	23.38	23.25
PJSP3024	29.25	23.38

Use with PJU Series Enclosures

Part No.	Panel Dimensions	
	Height	Width
PJSPU108	9.64	7.87
PJSPU1210	11.64	9.86
PJSPU1412	13.64	11.86
PJSPU1614	15.64	13.86
PJSPU1816	17.90	15.99
PJSPU2016	19.65	15.55

- Hinged aluminum panel.
- Mounts at front of enclosure body.
- Field installed with no drilling required.

Technical references and CAD downloads available at www.hammondmfg.com

All dimensions in inches unless specified otherwise

Quality Products. Service Excellence.

Polyester Enclosures - NEMA 4X

PJW Series - Continuous Hinge Wallmount



Panel
Sold
Separately



Corrosion Resistant

Wallmount Enclosures

Application

- Designed for use as instrument enclosures, electric, hydraulic or pneumatic control housings, electrical junction boxes or terminal wiring enclosures.
- Provides outstanding insulation and protection where equipment may be hosed down or be very wet.
- Ideal in applications with high temperatures or highly corrosive environments.

Standards

- UL/cUL 508 Type 1, 2, 3, 4, 4X, 12 and 13
- CSA Type 1, 2, 3, 4, 4X, 12 and 13
- **Complies with**
 - NEMA Type 1, 2, 3, 4, 4X, 12 and 13
 - IEC 60529, IP66

Construction

- Molded fiberglass polyester enclosure with matching cover is easily punched, cut, or drilled.
- Enhanced UV inhibitors protect against outdoor weathering.
- 3/8 collar studs are provided for optional inner panel mounting, hardware included.
- Stainless steel butterfly type "twist latch" door fasteners with padlock provision.
- Captive oil resistant gasket provides a positive seal.
- Integrated mounting flange.
- Operating temperatures between 130°C and -40°C (266°F to -40°F).
- Impact index of 6.78J (5 ft/lb).
- For corrosion resistance information, please refer to table in the Technical Information section.

Finish

- Fiberglass polyester material has a gray finish.
- Optional inner panels are available in white powder coated finished steel.

Accessories

- Painted steel inner panels
...see next page
- Terminal kit assemblies
...see page 441

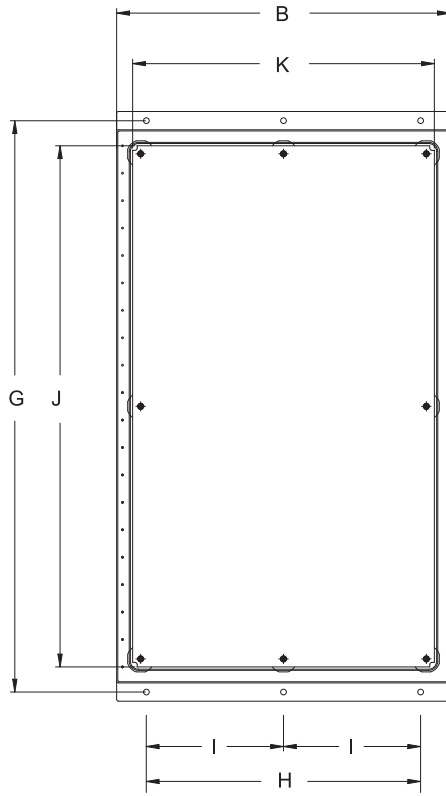
Part No.	Dimensions						Mounting Centers				
	A	B	C	D	E	F	G	H	I	J	K
PJW363010L	36.25	30.25	10.13	40.50	30.50	12.00	38.50	24.00	12.00	33.88	27.88
PJW363014L	36.25	30.25	14.13	40.50	30.50	16.00	38.50	24.00	12.00	33.88	27.88
PJW363610L	36.25	36.25	10.13	40.50	36.50	12.00	38.50	30.00	15.00	33.88	33.88
PJW363614L	36.25	36.25	14.13	40.50	36.50	16.00	38.50	30.00	15.00	33.88	33.88
PJW483610L	48.25	36.25	10.13	52.50	36.50	12.00	50.50	30.00	15.00	45.38	33.88
PJW483614L	48.25	36.25	14.13	52.50	36.50	16.00	50.50	30.00	15.00	45.38	33.88
PJW603610L	60.25	36.25	10.13	64.50	36.50	12.00	62.50	30.00	15.00	57.38	33.88
PJW603614L	60.25	36.25	14.13	64.50	36.50	16.00	62.50	30.00	15.00	57.38	33.88

Technical references and CAD downloads available at www.hammondmfg.com

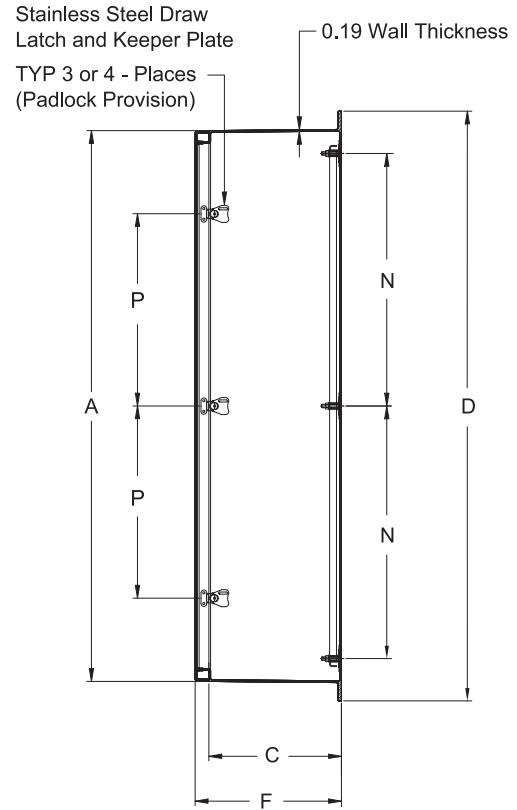
All dimensions in inches unless specified otherwise

Polyester Enclosures - NEMA 4X

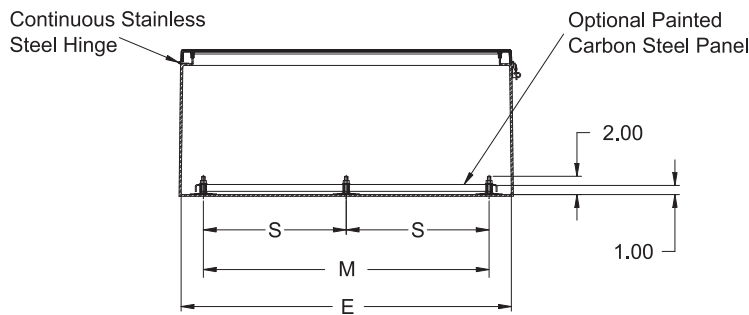
PJW Series - Continuous Hinge Wallmount



Front View



Side View



End View

Corrosion Resistant

Wallmount Enclosures

Part No.	M	N	S	P	# of Latches	# of Panel Mount Studs	Panel Height	Panel Width	Optional Panel Part No.	Ship Weight (lbs)
PJW363010L	25.25	15.63	12.63	12.13	3	6	33	27	18P3327	59
PJW363014L	25.25	15.63	12.63	12.13	3	6	33	27	18P3327	64
PJW363610L	31.25	15.63	15.63	12.13	3	8	33	33	18P3333	72
PJW363614L	31.25	15.63	15.63	12.13	3	8	33	33	18P3333	77
PJW483610L	31.25	21.63	15.63	18.13	3	8	45	33	18P4533	83
PJW483614L	31.25	21.63	15.63	18.13	3	8	45	33	18P4533	91
PJW603610L	31.25	27.63	15.63	16.00	4	8	57	33	18P5733	101
PJW603614L	31.25	27.63	15.63	16.00	4	8	57	33	18P5733	122

Technical references and CAD downloads available at www.hammondmfg.com

All dimensions in inches unless specified otherwise

Quality Products. Service Excellence.

Polyester Enclosures - NEMA 4X

PJFS Series - Continuous Hinge Freestanding



**Panel
Sold
Separately**



Corrosion Resistant Freestanding Enclosures

Application

- Designed for use as instrument enclosures, electric, hydraulic or pneumatic control housings, electrical junction boxes or terminal wiring enclosures.
- Provides outstanding insulation and protection where equipment may be hosed down or be very wet.
- Ideal in applications with high temperatures or highly corrosive environments.

Standards

- UL/cUL 508 Type 1, 2, 3, 4, 4X, 12 and 13
- CSA Type 1, 2, 3, 4, 4X, 12 and 13
- **Complies with**
 - NEMA Type 1, 2, 3, 4, 4X, 12 and 13
 - IEC 60529, IP66

Construction

- Fiberglass polyester enclosure with matching door is easily punched, cut, or drilled.
- Enhanced UV inhibitors protect against outdoor weathering.
- Collar Studs are provided for optional inner panel.
- Mounting hardware included.
- Heavy duty continuous 304 SS Hinge.
- Flexible self-gripping gasket compresses over flange for tight seal.
- 3-point SS handle with pad lock provision.
- Molded in drip shield
- Fiberglass mounting strut side walls on double door unit.
- Operating temperatures between 130°C and -40°C (266°F to -40°F).
- Impact index of 6.78J (5 ft/lb).
- For corrosion resistance information, please refer to table in the Technical Information section.

Finish

- Fiberglass polyester material has a gray finish.
- Optional inner panels are available in white powder coated finished steel.

Single Door

Part Number	Height	Width	Depth	Ship Wt (lbs)
PJFS722525	72.0	25.0	24.5	215

Double Door

Part Number	Height	Width	Depth	Ship Wt (lbs)
PJFS724925DD	72.0	48.0	24.5	430

Inner Panel - Painted Steel - Qty 1 Required

Part Number	Height	Width	Finish
18P5721	57.0	21.0	White

Inner Panel - Painted Steel - Qty 2 Required

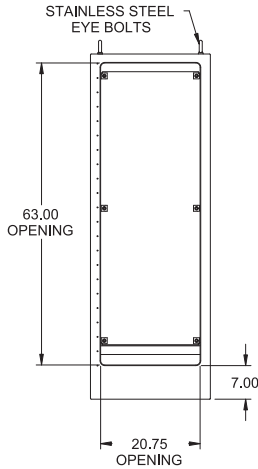
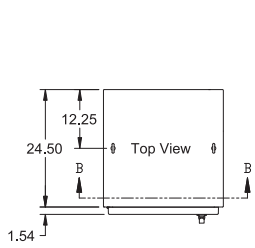
Part Number	Height	Width	Finish
18P5721	57.0	21.0	White

Technical references and CAD downloads available at www.hammondmfg.com

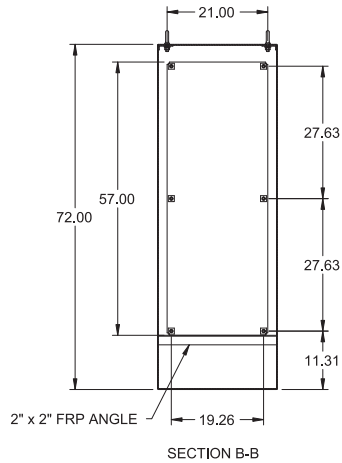
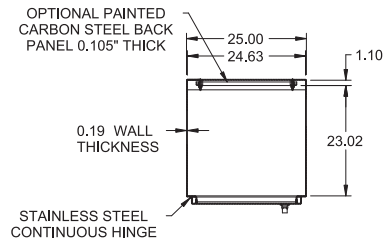
All dimensions in inches unless specified otherwise

Polyester Enclosures - NEMA 4X

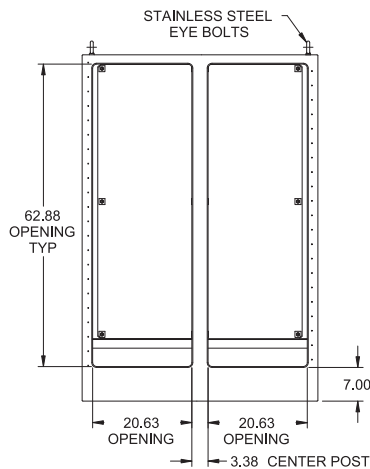
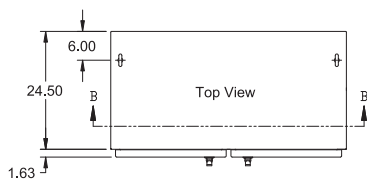
PJFS Series - Continuous Hinge Freestanding



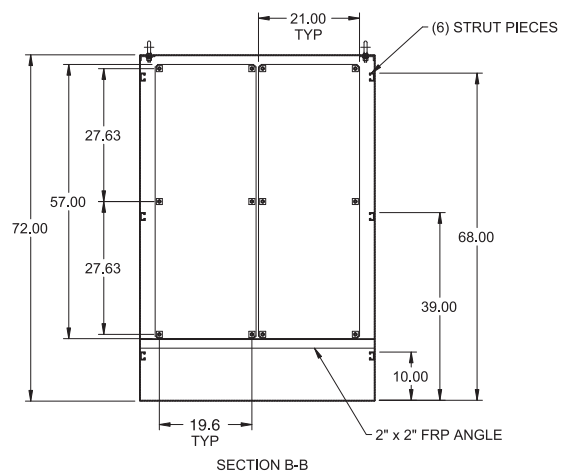
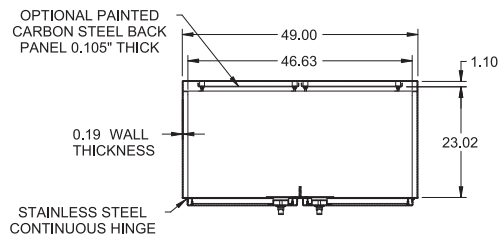
**Front View
(with Single Door Open)**



Internal View



**Front View
(with Double Doors Open)**



Internal View

Technical references and CAD downloads available at www.hammondmfg.com

All dimensions in inches unless specified otherwise

Quality Products. Service Excellence.

Polyester Modular Enclosures - NEMA 4X

PHW Series - Heavy Duty Wallmount Enclosures



Panel
Sold
Separately



Corrosion Resistant

Wallmount Enclosures

Application

- These enclosures are specially designed to accommodate electrical, electronic, instrumentation and mechanical controls indoors and outdoors.
- For use where corrosion resistant watertight enclosures are needed to provide protection against windblown dust and rain, splashing and hose directed water.

Standards

- UL 508 1, 3, 3R, 4, 4X, 12
- CSA 1, 3, 3R, 4, 4X, 12
- **Complies with**
 - NEMA 1, 3, 3R, 4, 4X, 12
 - IEC 60529, IP 66

Construction

- Compression molded, fiberglass reinforced polyester.
- Memory retaining, continuous door gasket standard.
- Molded in panel mounting inserts (except where noted).
- Integral mounting feet.
- Stainless steel hardware.
- Padlocking provision.
- Stainless steel butterfly type "twist latch" door fasteners.
- Door is supported with a continuous hinge.
- For corrosion resistance information, please refer to table in the Technical Information section.

Finish

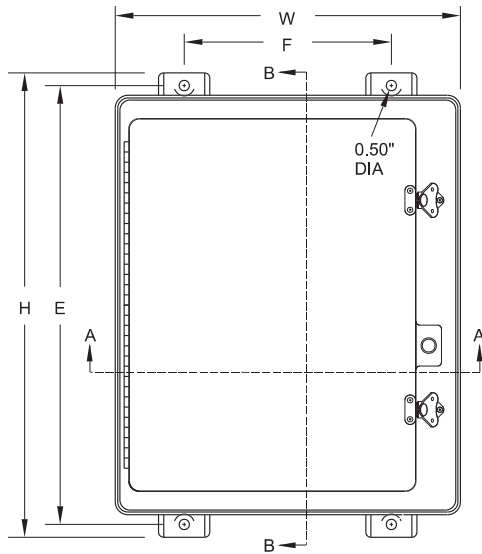
- Fiberglass reinforced material is finished in light gray.

Accessories

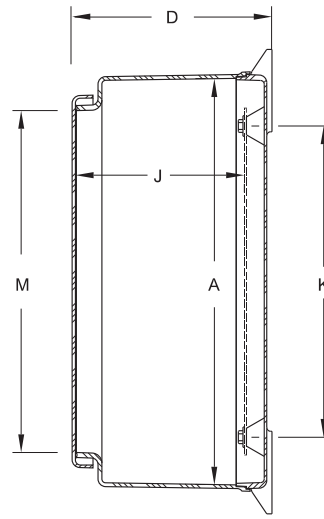
- Inner Panels

Polyester Modular Enclosures - NEMA 4X

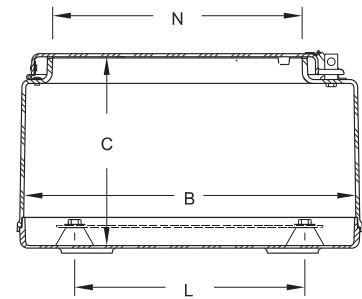
PHW Series - Heavy Duty Wallmount Enclosures



Front View



Section B-B



Section A-A

Part No.	Overall Dimensions			Inside Dimensions			Mtg. Centers			Enclosure Opening		Optional Panel Part No.	Ship Wt. lbs		
	H	W	D	A	B	C	E	F	J	K	L			M	N
PHW20166	inch 22.75 mm 578	16.87 429	7.77 197	19.70 500	16.04 407	7.24 184	21.50 546	10.12 257	6.26 159	15.25 387	11.25 286	16.75 425	12.19 310	18P1713	17
PHW20168	inch 22.75 mm 578	16.87 429	9.77 248	19.70 500	16.04 407	9.24 235	21.50 546	10.12 257	8.26 210	15.25 387	11.25 286	16.75 425	12.19 310	18P1713	22
PHW201610	inch 22.75 mm 578	16.87 429	11.77 299	19.70 500	16.04 407	11.24 286	21.50 546	10.12 257	10.26 261	15.25 387	11.25 286	16.75 425	12.19 310	18P1713	23
PHW201612	inch 22.75 mm 578	16.87 429	13.77 350	19.70 500	16.04 407	13.24 336	21.50 546	10.12 257	12.26 312	15.25 387	11.25 286	16.75 425	12.19 310	18P1713	24
PHW241210	inch 26.95 mm 685	13.72 348	11.99 304	24.00 610	12.87 327	11.33 288	25.75 654	6.25 159	10.33 262	19.25 489	7.25 184	21.00 533	8.37 213	18P2109	25
PHW24208	inch 27.00 mm 686	21.24 539	9.90 252	24.05 611	20.39 518	9.25 235	25.75 654	14.00 356	8.25 209	19.25 489	15.25 387	21.25 540	16.00 406	18P2117	32
PHW242410	inch 27.00 mm 686	25.25 641	11.90 302	24.05 611	24.39 619	11.25 286	25.75 654	17.87 454	10.25 260	19.25 489	19.25 489	21.25 540	20.00 508	18P2121	42
PHW30208	inch 32.86 mm 835	20.99 533	9.89 251	29.90 760	20.14 511	9.23 234	31.75 806	14.25 362	8.23 209	25.25 641	15.25 387	27.00 686	16.50 419	18P2717	36
PHW302010	inch 32.86 mm 835	20.99 533	11.89 302	29.90 760	20.14 511	11.23 285	31.75 806	14.25 362	10.23 260	25.25 641	15.25 387	27.00 686	16.50 419	18P2717	39
PHW30247	inch 33.41 mm 849	26.32 668	8.81 224	30.46 774	25.47 647	8.12 206	32.25 819	18.50 470	7.12 181	25.25 641	19.25 489	27.38 695	21.25 540	18P2721	45
PHW302410	inch 33.41 mm 849	26.32 668	11.95 304	30.46 774	25.47 647	11.27 286	32.25 819	18.50 470	10.27 261	25.25 641	19.25 489	27.38 695	21.25 540	18P2721	50
PHW302412	inch 33.41 mm 849	26.32 668	13.79 350	30.46 774	25.47 647	13.10 333	32.25 819	18.50 470	12.1 307	25.25 641	19.25 489	27.38 695	21.25 540	18P2721	54
PHW363010	inch 39.31 mm 999	32.50 826	12.05 306	36.31 922	31.69 805	11.36 289	38.13 968	23.88 606	10.36 263	31.25 794	25.25 641	33.25 845	27.25 692	18P3327	78
PHW363012	inch 39.31 mm 999	32.50 826	14.05 357	36.31 922	31.69 805	13.36 339	38.13 968	23.88 606	12.36 314	31.25 794	25.25 641	33.25 845	27.25 692	18P3327	81
PHW483616	inch 51.29 mm 1303	36.62 930	17.93 456	48.33 1228	36.22 920	17.25 438	50.12 1273	29.25 743	16.25 413	43.25 1099	31.25 794	45.25 1149	32.00 813	18P4533	108
PHW603616	inch 63.50 mm 1613	36.50 927	18.12 460	60.13 1527	36.13 918	17.44 443	62.25 1581	28.50 724	16.44 418	53.06 1348	31 787	55.75 1416	32.00 813	18P5733	155

Inches are for reference only. Use metric for precise measurements.

Technical references and CAD downloads available at www.hammondmfg.com

All dimensions in inches unless specified otherwise

Quality Products. Service Excellence.