

WARRANTY

Psiber Data Systems Inc. warrants that the product shall be free from defects in parts or workmanship for a period of 12 months from the date of purchase if used in accordance with Psiber Data Systems Inc. operating specifications.

THIS IS THE ONLY WARRANTY MADE BY Psiber Data Systems Inc. AND IS EXPRESSLY MADE IN LIEU OF ALL OTHER WARRANTIES EXPRESSED OR IMPLIED, INCLUDING BUT NOT LIMITED TO ANY IMPLIED WARRANTIES OF MERCHANTABILITY OR FITNESS FOR ANY PARTICULAR PURPOSE.

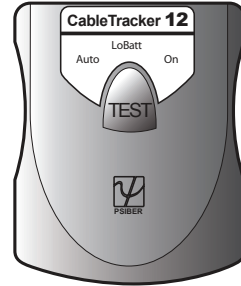
Should any parts or workmanship prove defective, Psiber Data Systems Inc. will repair or replace at Psiber Data Systems' option, at no cost to the Buyer except for shipping costs from the Buyer's location to Psiber Data Systems Inc. This is Buyer's SOLE AND EXCLUSIVE REMEDY under this Agreement. This warranty does not apply to products which have been subject to neglect, accident or improper use, or to units which have been altered or repaired by other than an authorized repair facility.

Return of Equipment to Psiber Data Systems Inc. Simply obtain a Return Authorization number from our Customer Service by calling 619-287-9970. Clearly mark the RMA# on the shipping label, so the package can be accepted at Psiber Data Systems Inc.

CableTracker, PSIBER and the PSIBER logo are trademarks of Psiber Data Systems Inc. Copyright 2015 Psiber Data Systems Inc. All rights reserved. Part No. 1005-0120-0000 Rev A



USER GUIDE CableTracker 12



WARRANTY

Psiber Data Systems Inc. warrants that the product shall be free from defects in parts or workmanship for a period of 12 months from the date of purchase if used in accordance with Psiber Data Systems Inc. operating specifications.

THIS IS THE ONLY WARRANTY MADE BY Psiber Data Systems Inc. AND IS EXPRESSLY MADE IN LIEU OF ALL OTHER WARRANTIES EXPRESSED OR IMPLIED, INCLUDING BUT NOT LIMITED TO ANY IMPLIED WARRANTIES OF MERCHANTABILITY OR FITNESS FOR ANY PARTICULAR PURPOSE.

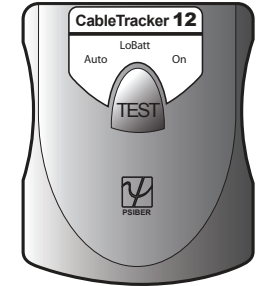
Should any parts or workmanship prove defective, Psiber Data Systems Inc. will repair or replace at Psiber Data Systems' option, at no cost to the Buyer except for shipping costs from the Buyer's location to Psiber Data Systems Inc. This is Buyer's SOLE AND EXCLUSIVE REMEDY under this Agreement. This warranty does not apply to products which have been subject to neglect, accident or improper use, or to units which have been altered or repaired by other than an authorized repair facility.

Return of Equipment to Psiber Data Systems Inc. Simply obtain a Return Authorization number from our Customer Service by calling 619-287-9970. Clearly mark the RMA# on the shipping label, so the package can be accepted at Psiber Data Systems Inc.

CableTracker, PSIBER and the PSIBER logo are trademarks of Psiber Data Systems Inc. Copyright 2015 Psiber Data Systems Inc. All rights reserved. Part No. 1005-0120-0000 Rev A



USER GUIDE CableTracker 12



WARRANTY

Psiber Data Systems Inc. warrants that the product shall be free from defects in parts or workmanship for a period of 12 months from the date of purchase if used in accordance with Psiber Data Systems Inc. operating specifications.

THIS IS THE ONLY WARRANTY MADE BY Psiber Data Systems Inc. AND IS EXPRESSLY MADE IN LIEU OF ALL OTHER WARRANTIES EXPRESSED OR IMPLIED, INCLUDING BUT NOT LIMITED TO ANY IMPLIED WARRANTIES OF MERCHANTABILITY OR FITNESS FOR ANY PARTICULAR PURPOSE.

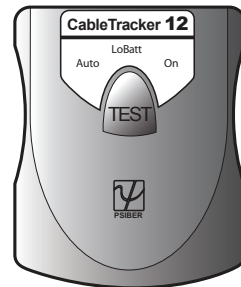
Should any parts or workmanship prove defective, Psiber Data Systems Inc. will repair or replace at Psiber Data Systems' option, at no cost to the Buyer except for shipping costs from the Buyer's location to Psiber Data Systems Inc. This is Buyer's SOLE AND EXCLUSIVE REMEDY under this Agreement. This warranty does not apply to products which have been subject to neglect, accident or improper use, or to units which have been altered or repaired by other than an authorized repair facility.

Return of Equipment to Psiber Data Systems Inc. Simply obtain a Return Authorization number from our Customer Service by calling 619-287-9970. Clearly mark the RMA# on the shipping label, so the package can be accepted at Psiber Data Systems Inc.

CableTracker, PSIBER and the PSIBER logo are trademarks of Psiber Data Systems Inc. Copyright 2015 Psiber Data Systems Inc. All rights reserved. Part No. 1005-0120-0000 Rev A



USER GUIDE CableTracker 12



WARRANTY

Psiber Data Systems Inc. warrants that the product shall be free from defects in parts or workmanship for a period of 12 months from the date of purchase if used in accordance with Psiber Data Systems Inc. operating specifications.

THIS IS THE ONLY WARRANTY MADE BY Psiber Data Systems Inc. AND IS EXPRESSLY MADE IN LIEU OF ALL OTHER WARRANTIES EXPRESSED OR IMPLIED, INCLUDING BUT NOT LIMITED TO ANY IMPLIED WARRANTIES OF MERCHANTABILITY OR FITNESS FOR ANY PARTICULAR PURPOSE.

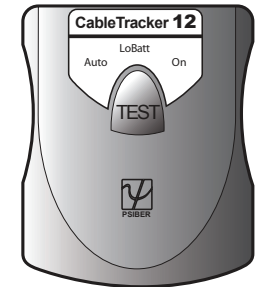
Should any parts or workmanship prove defective, Psiber Data Systems Inc. will repair or replace at Psiber Data Systems' option, at no cost to the Buyer except for shipping costs from the Buyer's location to Psiber Data Systems Inc. This is Buyer's SOLE AND EXCLUSIVE REMEDY under this Agreement. This warranty does not apply to products which have been subject to neglect, accident or improper use, or to units which have been altered or repaired by other than an authorized repair facility.

Return of Equipment to Psiber Data Systems Inc. Simply obtain a Return Authorization number from our Customer Service by calling 619-287-9970. Clearly mark the RMA# on the shipping label, so the package can be accepted at Psiber Data Systems Inc.

CableTracker, PSIBER and the PSIBER logo are trademarks of Psiber Data Systems Inc. Copyright 2015 Psiber Data Systems Inc. All rights reserved. Part No. 1005-0120-0000 Rev A



USER GUIDE CableTracker 12



CONTENTS

- Model 12 Tone Generator
- User Guide
- Battery
- RJ-45 Patch Cable
- RJ-45 to Alligator Clips Adapter
- RJ-45 to BNC and BNC to F Adapters (Optional)
- RJ-45 to Bed of Nails Alligator Clips Adapter (Optional)

BATTERY

Use one 9 volt alkaline battery.

BATTERY INSTALLATION

Remove the battery cover on the back of the unit, connect the battery to the battery snap cable, insert the battery in the battery well and replace the battery cover.

OVERVIEW

The CableTracker 12 Tone Generator (CT12) is used to identify cables and terminations.

1. The CT12 Tone Generator transmits a trace tone on a connected cable which is detected with a CableTracker 15 (CT15) or other compatible probe.
2. When the CT15 Probe is near the connected cable or punchdown, it indicates detection by emitting the audio signal transmitted by the CT12 Tone Generator.

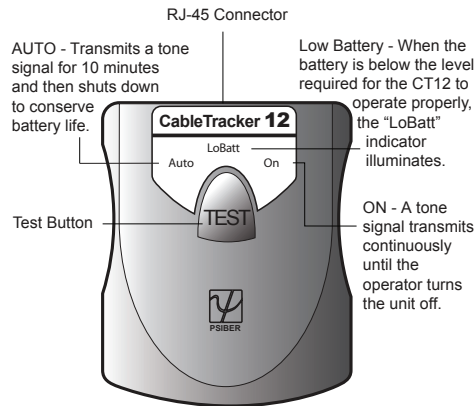
CONNECTION

Connect the CT12 Tone Generator directly to an RJ-45 or RJ-11 terminated cable; or an RJ-45 wall outlet using the RJ-45 Patch Cable; or bare wire by connecting the RJ-45 to Alligator Clips Adapter. The CT12 transmits an alternating tone signal through the connected cable.

OPERATION

The CableTracker 12 Tone Generator features one button operation. Each press of the TEST button advances the operating mode of the unit. The modes are selected in the following order:

1. Auto - Alternating tone will automatically turn off after approximately 10 minutes.
2. On - Alternating tone will not turn off until the test button is pressed again.
3. Off - No signal transmitted.



CONTENTS

- Model 12 Tone Generator
- User Guide
- Battery
- RJ-45 Patch Cable
- RJ-45 to Alligator Clips Adapter
- RJ-45 to BNC and BNC to F Adapters (Optional)
- RJ-45 to Bed of Nails Alligator Clips Adapter (Optional)

BATTERY

Use one 9 volt alkaline battery.

BATTERY INSTALLATION

Remove the battery cover on the back of the unit, connect the battery to the battery snap cable, insert the battery in the battery well and replace the battery cover.

OVERVIEW

The CableTracker 12 Tone Generator (CT12) is used to identify cables and terminations.

1. The CT12 Tone Generator transmits a trace tone on a connected cable which is detected with a CableTracker 15 (CT15) or other compatible probe.
2. When the CT15 Probe is near the connected cable or punchdown, it indicates detection by emitting the audio signal transmitted by the CT12 Tone Generator.

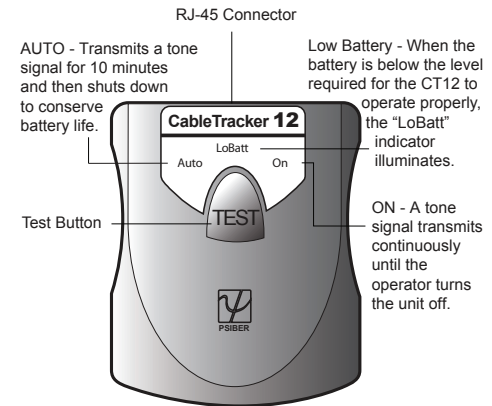
CONNECTION

Connect the CT12 Tone Generator directly to an RJ-45 or RJ-11 terminated cable; or an RJ-45 wall outlet using the RJ-45 Patch Cable; or bare wire by connecting the RJ-45 to Alligator Clips Adapter. The CT12 transmits an alternating tone signal through the connected cable.

OPERATION

The CableTracker 12 Tone Generator features one button operation. Each press of the TEST button advances the operating mode of the unit. The modes are selected in the following order:

1. Auto - Alternating tone will automatically turn off after approximately 10 minutes.
2. On - Alternating tone will not turn off until the test button is pressed again.
3. Off - No signal transmitted.



CONTENTS

- Model 12 Tone Generator
- User Guide
- Battery
- RJ-45 Patch Cable
- RJ-45 to Alligator Clips Adapter
- RJ-45 to BNC and BNC to F Adapters (Optional)
- RJ-45 to Bed of Nails Alligator Clips Adapter (Optional)

BATTERY

Use one 9 volt alkaline battery.

BATTERY INSTALLATION

Remove the battery cover on the back of the unit, connect the battery to the battery snap cable, insert the battery in the battery well and replace the battery cover.

OVERVIEW

The CableTracker 12 Tone Generator (CT12) is used to identify cables and terminations.

1. The CT12 Tone Generator transmits a trace tone on a connected cable which is detected with a CableTracker 15 (CT15) or other compatible probe.
2. When the CT15 Probe is near the connected cable or punchdown, it indicates detection by emitting the audio signal transmitted by the CT12 Tone Generator.

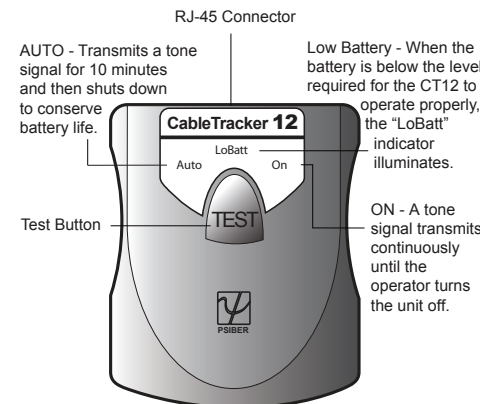
CONNECTION

Connect the CT12 Tone Generator directly to an RJ-45 or RJ-11 terminated cable; or an RJ-45 wall outlet using the RJ-45 Patch Cable; or bare wire by connecting the RJ-45 to Alligator Clips Adapter. The CT12 transmits an alternating tone signal through the connected cable.

OPERATION

The CableTracker 12 Tone Generator features one button operation. Each press of the TEST button advances the operating mode of the unit. The modes are selected in the following order:

1. Auto - Alternating tone will automatically turn off after approximately 10 minutes.
2. On - Alternating tone will not turn off until the test button is pressed again.
3. Off - No signal transmitted.



CONTENTS

- Model 12 Tone Generator
- User Guide
- Battery
- RJ-45 Patch Cable
- RJ-45 to Alligator Clips Adapter
- RJ-45 to BNC and BNC to F Adapters (Optional)
- RJ-45 to Bed of Nails Alligator Clips Adapter (Optional)

BATTERY

Use one 9 volt alkaline battery.

BATTERY INSTALLATION

Remove the battery cover on the back of the unit, connect the battery to the battery snap cable, insert the battery in the battery well and replace the battery cover.

OVERVIEW

The CableTracker 12 Tone Generator (CT12) is used to identify cables and terminations.

1. The CT12 Tone Generator transmits a trace tone on a connected cable which is detected with a CableTracker 15 (CT15) or other compatible probe.
2. When the CT15 Probe is near the connected cable or punchdown, it indicates detection by emitting the audio signal transmitted by the CT12 Tone Generator.

CONNECTION

Connect the CT12 Tone Generator directly to an RJ-45 or RJ-11 terminated cable; or an RJ-45 wall outlet using the RJ-45 Patch Cable; or bare wire by connecting the RJ-45 to Alligator Clips Adapter. The CT12 transmits an alternating tone signal through the connected cable.

OPERATION

The CableTracker 12 Tone Generator features one button operation. Each press of the TEST button advances the operating mode of the unit. The modes are selected in the following order:

1. Auto - Alternating tone will automatically turn off after approximately 10 minutes.
2. On - Alternating tone will not turn off until the test button is pressed again.
3. Off - No signal transmitted.

