

# FITSTAND™ LX SERIES | SIT-STAND DESK

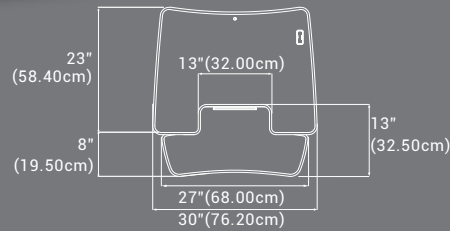
## FEATURES

- Straight up and down movement minimizes space requirement and provides enhanced stability
- Gas spring offers smooth and even support, with 12 available height adjustment options
- USB port integrated in desktop
- Easy to adjust height with one lever
- Keyboard tray options: 2" or 5" below table top



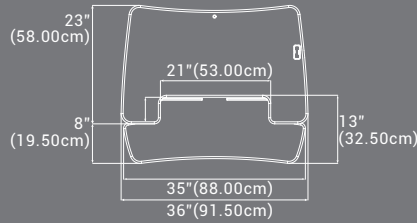
USB Port

Color: Black Mahogany White



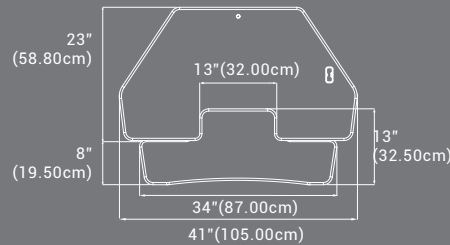
### LX30

**WEIGHT CAPACITY**  
Desktop + Keyboard Tray ≤40lbs | 18.14kg  
**DESKTOP SURFACE**  
30" (W) x 23" (D) | 76.20cm (W) x 58.42cm (D)  
**MAX HEIGHT**  
20" | 50.80cm



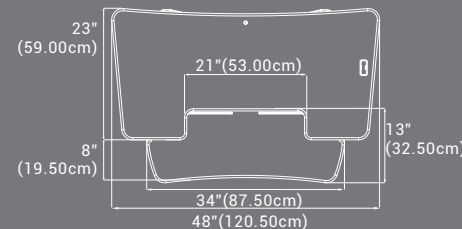
### LX36

**WEIGHT CAPACITY**  
Desktop + Keyboard Tray ≤40lbs | 18.14kg  
**DESKTOP SURFACE**  
36" (W) x 23" (D) | 91.50cm (W) x 58.42cm (D)  
**MAX HEIGHT**  
20" | 50.80cm



### LX41

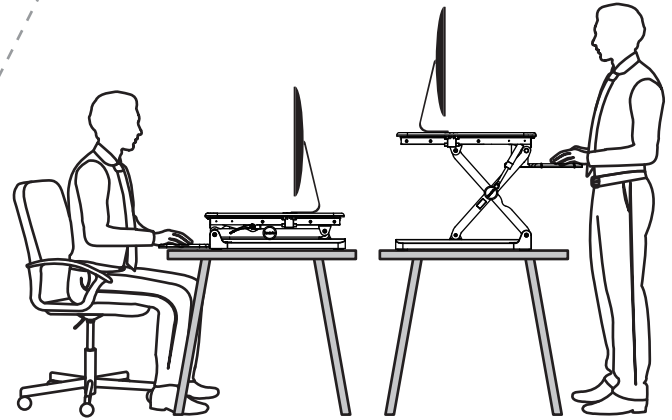
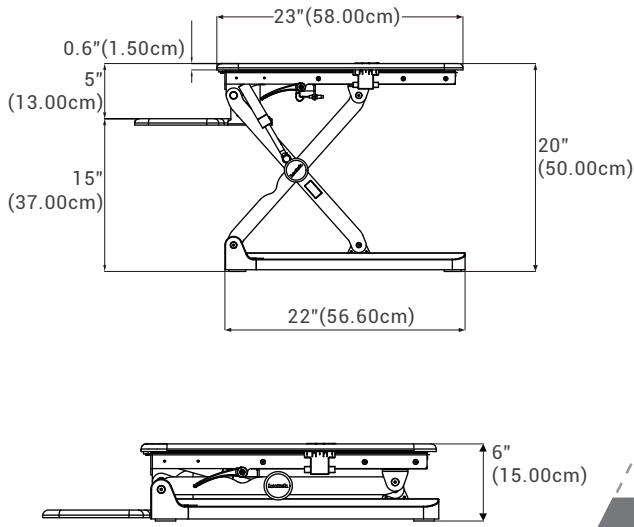
**WEIGHT CAPACITY**  
Desktop + Keyboard Tray ≤40lbs | 18.14kg  
**DESKTOP SURFACE**  
41" (W) x 23" (D) | 104.14cm (W) x 58.42cm (D)  
**MAX HEIGHT**  
20" | 50.80cm



### LX48

**WEIGHT CAPACITY**  
Desktop + Keyboard Tray ≤45lbs | 20.41kg  
**DESKTOP SURFACE**  
48" (W) x 23" (D) | 121.92cm (W) x 58.42cm (D)  
**MAX HEIGHT**  
20" | 50.80cm

# FITSTAND™ LX SERIES | SIT-STAND DESK



Placing this workstation on a 28" high desk will support people up to 6'1" tall  
Placing this workstation on a 31" high desk will support people up to 6'5" tall



Model #	LX30	LX36	LXC41	LX48
Total Weight Limit	≤40lbs (18.14kg)	≤40lbs (18.14kg)	≤40lbs (18.14kg)	≤45lbs (20.41kg)
Desktop Weight Capacity	≤35lbs (15.88kg)	≤35lbs (15.88kg)	≤35lbs (15.88kg)	≤40lbs (18.14kg)
Keyboard Tray Weight Capacity	≤5lbs (2.27kg)	≤5lbs (2.27kg)	≤5lbs (2.27kg)	≤5lbs (2.27kg)
Worksurface Dimensions	30" W x 23" D (76.20 x 58.42cm)	36" W x 23" D (91.44 x 58.42cm)	41" W x 23" D (104.14 x 58.42cm)	48" W x 23" D (121.92 x 58.42cm)
Keyboard Tray Dimensions	27" W x 13"D (68.00 x 32.50cm)	35"W x 13"D (88.00 x 32.50cm)	34"W x 13"D (87.00 x 32.50cm)	34"W x 13"D (87.50 x 32.50cm)
Lift	20" (50.80cm)	20" (50.80cm)	20" (50.80cm)	20" (50.80cm)
Keyboard Tray	LXE30: 5" below table	LXE36: 5" below table	LXE41: 5" below table	LXE48: 5" below table
Configuration	Regular	Regular	Corner Cut	Regular
Fits on Tables	22" (55.88cm) or deeper	22" (55.88cm) or deeper	22" (55.88cm) or deeper	22" (55.88cm) or deeper
Applied Monitor Size	One 24" screen or smaller	Up to two 24" screens	Up to two 24" screens	Up to two 24" screens
Shipping Dimensions	32.9"x8.5"x25.8" (83.50x21.50x65.50cm)	38.8"x8.5"x26.0" (98.50x21.50x66.00cm)	44.7"x8.5"x26.0" (113.50x21.50x66.00cm)	51.6"x8.5"x26.0" (131.00X21.50X66.00cm)
Gross Weight	46lbs (20.8kg)	52lbs (23.6kg)	52lbs (23.6kg)	56lbs (25.5kg)
Warranty	6 years	6 years	6 years	6 years