

















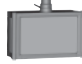



Operator Interface Enclosure



Operator Interface Enclosures

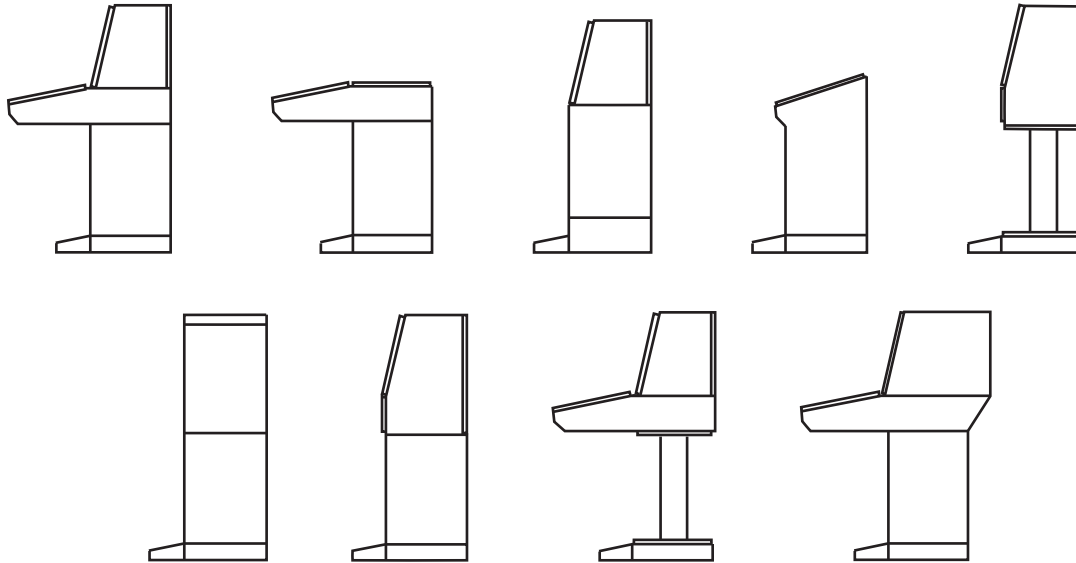
Operator Interface Enclosure

	Series 2000 Modular Console System Base Units - NEMA 12, 4, 4X.....	209		Pushbutton Enclosures - 1435 & 1435M Series NEMA 12, 13	253
	Series 2000 Modular Console System Desk Units - NEMA 12, 4, 4X.....	211		Pushbutton Enclosures - 1435 & 1435M Stainless Steel Series NEMA 12, 13	255
	Series 2000 Modular Console System Turret Units - NEMA 12, 4, 4X.....	213		Pushbutton Enclosures - 1437 & 1437M Extra Deep Series NEMA 12, 13	257
	Series 2000 Modular Console System Consolet - NEMA 12, 4, 4X.....	215		Pushbutton Enclosures - 1437 Extra Deep Stainless Steel Series NEMA 12, 13	259
	Series 2000 Modular Console System - Terminal NEMA 12, 4, 4X.....	217		Pushbutton Enclosures - 1489 & 1489M Continuous Hinge Series NEMA 12	261
	Series 2000 Modular Console System - Master Selection Table	219		Pushbutton Enclosures - 1490 & 1490M Sloped Front Consolet Series NEMA 12, 13	263
	Series 2000 Modular Console System - Components & Accessories	221		Polycarbonate Modular Enclosures 1554 Pushbutton Lift-Off Cover Series NEMA 4, 4X.....	265
	1488 Series Consolets - Hinged Cover Consolets NEMA 12, 13	233		Polyester Modular Enclosures PJ Solid Cover & Pushbutton Lift-Off Series NEMA 4, 4X.....	267
	1471 Series Sloped Console Cabinet - NEMA 12	235		Polyester Modular Enclosures PJ Pushbutton Lift-Off & Hinged Screw Cover Series NEMA 4X.....	269
	Eclipse Command System - NEMA 12	237			
	Tara Plus Suspension System NEMA 12, 13	239-244			
	Heavy Duty 50mm & 80mm Suspension System NEMA 12, 13	245-250			
	Pushbutton Enclosures - MPB Series 22mm Pushbutton NEMA 12, 13	251			

Series 2000 Modular Console System - NEMA 12, 4, 4X Configurations

Series 2000 Modular Console System

The Series 2000 Modular Console System offers designers numerous assembly and configuration choices. This system allows units to be “stacked” in multiple combinations to provide equipment support and display functions exactly where you want them.



How to Configure Your System

To configure your system you'll need to go through the following steps:

STEP 1 - Protection requirements

Type 4 RAL 7035 light gray = "2CL..." part numbers

Type 4X stainless steel = "2CS..." part numbers

STEP 2 - Width requirements (24, 36, 48, 60 inch)

STEP 3 - Basic component requirements:

Bottom - (a) base, (b) dual access base, or (c) pedestal

Top - (a) standard desk and desk cover, (b) deep desk and desk cover, (c) standard turret, (d) deep turret, (e) standard desk/turret combination, (f) deep desk/turret combination, (g) another base and base cover, or (h) data terminal

Stand Alone - Consolelet

STEP 4 - External Accessories (if applicable): plinth, footrest, window doors or depth extension

STEP 5 - Internal Accessories (if applicable): electrical mounting panels, electronic mounting rails, swing frames, etc.

Series 2000 Modular Console System - NEMA 12, 4, 4X Base Units

Operator Interface Enclosure



Single Access



Dual Access



Application

- Flexible design provides panel mount or rack mount capabilities for a variety of applications.
- Generally used in combination with other modular console components (ie. another base, terminal, desk and/or turret).
- Available in either single or dual access format.
- Smooth lines and clean edges provide an attractive, contemporary appearance.

Standards

RAL 7035 Light Gray

- UL 508 Type 3R, 4, 12
- CSA Type 3R, 4, 12, 13
- EIA RS-310-D
- **Complies with**
 - NEMA Type 3R, 4, 12
 - IEC 60529, IP66

Stainless Steel (Type 304)

- UL 508 Type 3R, 4, 4X, 12
- CSA Type 3R, 4, 4X, 12
- EIA RS-310-D
- **Complies with**
 - NEMA Type 3R, 4, 4X, 12
 - IEC 60529, IP66

Construction

- Formed 14 gauge steel bodies with 14 gauge steel door.
- Also offered with formed 14 gauge 304 stainless steel bodies with 14 gauge 304 stainless steel door.
- Smooth, continuously welded seams.

- Body stiffeners are provided where required for increased strength and rigidity.
- Offered in 4 widths 24", 36", 48" and 60".
- Single access version has solid sides and back, solid door on front, open top, and closed bottom with removable access panel.
- Dual access version is same as above except has solid door on both front and back.
- 24" and 36" widths have single door on the front (and back for dual access) whereas 48" and 60" widths have two outside hinged doors on the front (and back for dual access.)
- Doors can be hinged from either side on 24" and 36" units.
- Door profiles provide increased strength and are pre-punched to provide mounting options.
- Formed lip on enclosure excludes flowing liquids and contaminants.
- Slotted quarter turn oil-tight latches secure the door, with optional tamper resistant and locking latches available.
- Stainless steel models utilize stainless steel hardware.
- Oil resistant gaskets are permanently secured.
- Features several internal stud locations for mounting of various accessories.
- A bonding screw is provided on the door and a grounding stud is provided in the enclosure.

Finish

- Available in RAL 7035 light gray textured powder coating and natural stainless steel with a smooth, brushed finish.
- Base Covers are available in the same finishes.

Accessories

- Air conditioners...*see page 349-367*
- Blowers...*see page 389*
- Filter fans...*see page 371-384*
- Fan trays...*see page 391*
- Heaters...*see page 393-396*
- Series 2000 Modular Console Accessories...*see page 221-228*
- Rack Mount Accessories...*see page 229-232*

Technical references and CAD downloads available at www.hammondmfg.com

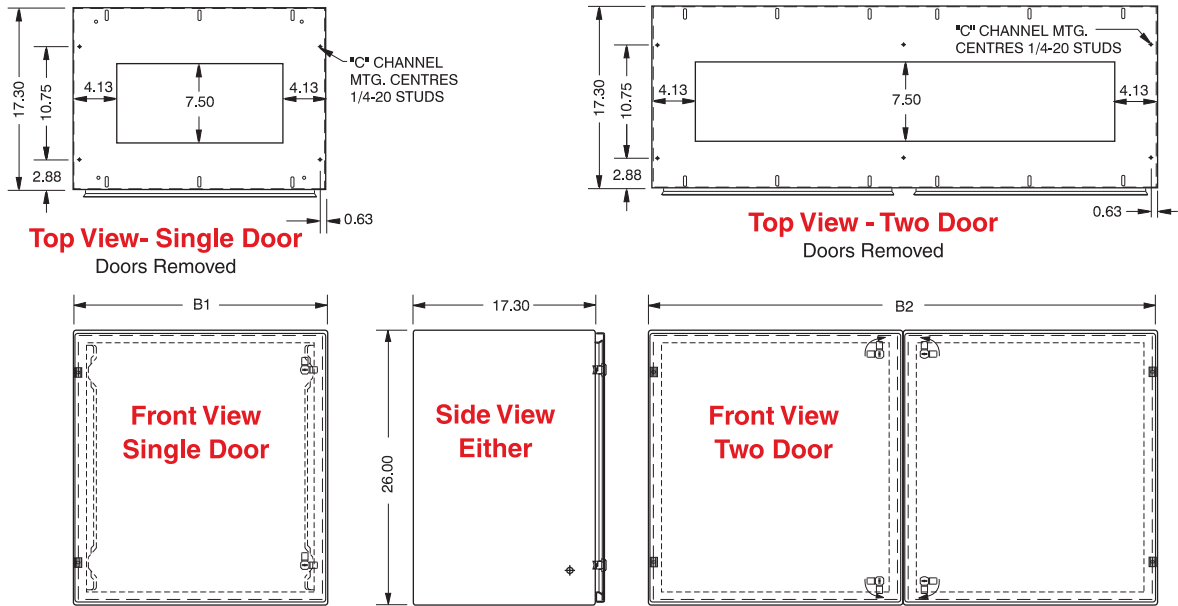
All dimensions in inches unless specified otherwise

Modular Console System

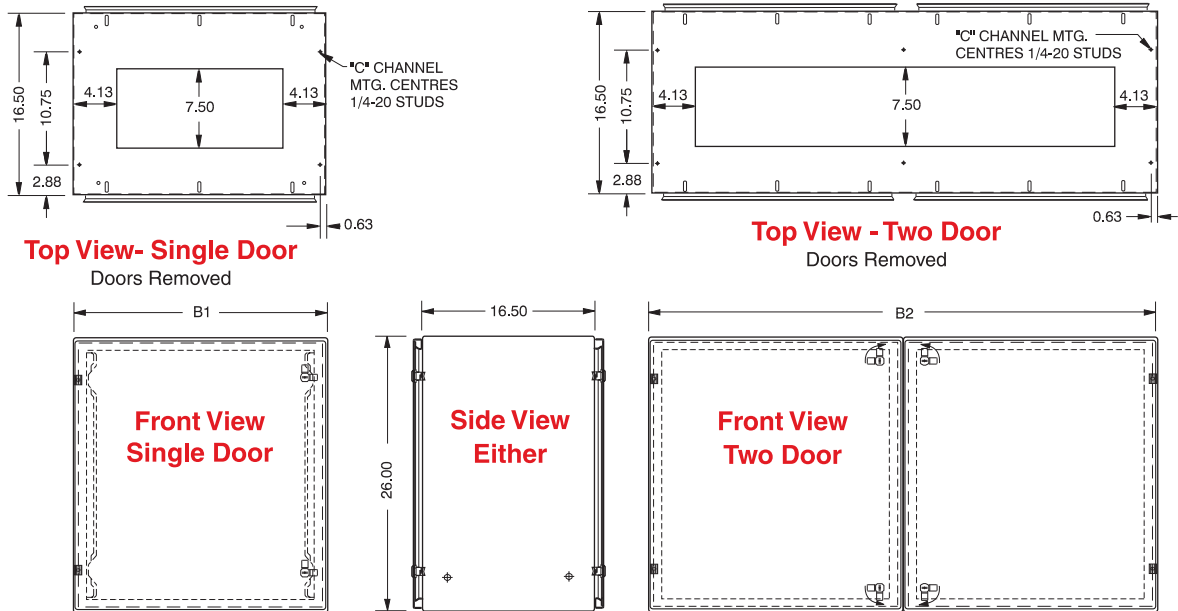
Series 2000 Modular Console System - NEMA 12, 4, 4X Base Units

Operator Interface Enclosure

Single Access



Dual Access



Modular Console System

Single Access

RAL 7035 Light Gray Part No.	Stainless Steel Part No.	B1	B2
2CLB262418	2CSB262418	24	n/a
2CLB263618	2CSB263618	36	n/a
2CLB264818	2CSB264818	n/a	48
2CLB266018	2CSB266018	n/a	60

Dual Access

RAL 7035 Light Gray Part No.	Stainless Steel Part No.	B1	B2
2CLBX262418	2CSBX262418	24	n/a
2CLBX263618	2CSBX263618	36	n/a
2CLBX264818	2CSBX264818	n/a	48
2CLBX266018	2CSBX266018	n/a	60

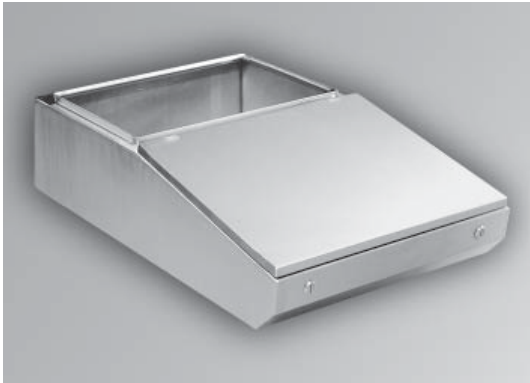
Technical references and CAD downloads available at www.hammondmfg.com

All dimensions in inches unless specified otherwise

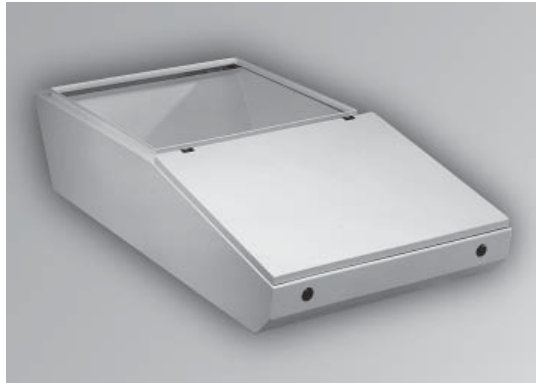
Quality Products. Service Excellence.

Series 2000 Modular Console System - NEMA 12, 4, 4X Desk Units

Operator Interface Enclosure



Standard Desk



Deep Desk



Application

- Generally used in combination with other modular console components (ie. base, pedestal, and/or turret).
- Provides an ideal sloped surface for mounting keyboards, switches, indicator lights, and/or dials.
- Open top permits mounting of a turret (usually for CRT applications) or an optional hinged desk cover (providing a flat, sturdy desk surface).
- Available in either Standard (will support Standard Turret only) or Deep (will support Deep Turret only) format.
- Smooth lines and clean edges provide an attractive, contemporary appearance.

Standards

RAL 7035 Light Gray

- UL 508 Type 3R, 4, 12
- CSA Type 3R, 4, 12, 13
- EIA RS-310-D
- Complies with
 - NEMA Type 3R, 4, 12
 - IEC 60529, IP66

Stainless Steel (Type 304)

- UL 508 Type 3R, 4, 4X, 12
- CSA Type 3R, 4, 4X, 12
- **Complies with**
 - NEMA Type 3R, 4, 4X, 12
 - IEC 60529, IP66

Construction

- Formed 14 gauge steel bodies with 14 gauge steel lid.
- Also offered with formed 14 gauge 304 stainless steel bodies with 14 gauge 304 stainless steel lid.
- Smooth, continuously welded seams without knockouts or holes.
- Body stiffeners are provided where required for increased strength and rigidity.
- Offered in 4 widths 24", 36", 48" and 60".
- Solid sides and back, lid on sloped top area, open on flat top area, bottom is solid under lid area and open under flat top area.
- Deep Desk has a 6.7" deeper top opening than standard desk allowing for support of Deep Turret - see drawings as Deep Desk has different profile (angled back) from Standard Desk (flat back.)
- Lid profiles provide increased strength.
- Formed lip on enclosure excludes flowing liquids and contaminants.
- Slotted quarter turn oil-tight latches secure the lid, with optional tamper resistant and locking latches available.
- Stainless steel models utilize stainless steel hardware.
- Oil resistant gaskets are permanently secured.
- Features several internal stud locations for mounting Desk Inner Panel.
- A bonding screw is provided on the lid and a grounding stud is provided in the enclosure.

Finish

- Available in RAL 7035 light gray textured powder coating and natural stainless steel with a smooth, brushed finish.
- Desk covers available in same finishes.

Accessories

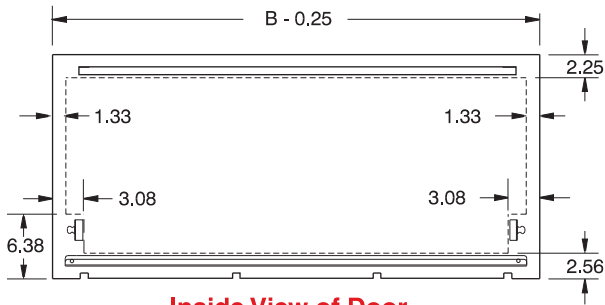
- Desk cover...see page **223**
- Desk inner panel...see page **225**

Modular Console System

Series 2000 Modular Console System - NEMA 12, 4, 4X Desk Units

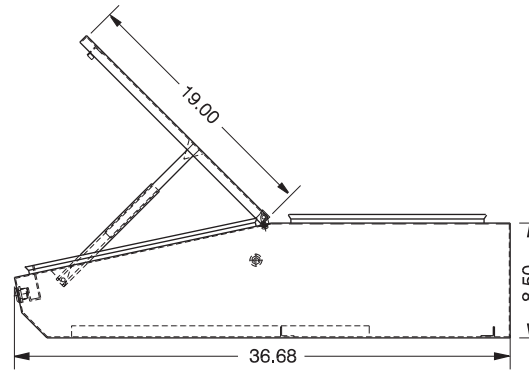
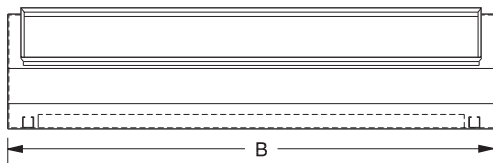
Operator Interface Enclosure
Modular Console System

Standard Desk Unit

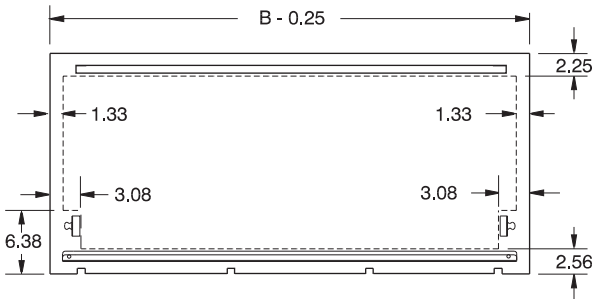


Inside View of Door

Clearance area for mounting hardware on desk unit sloping door

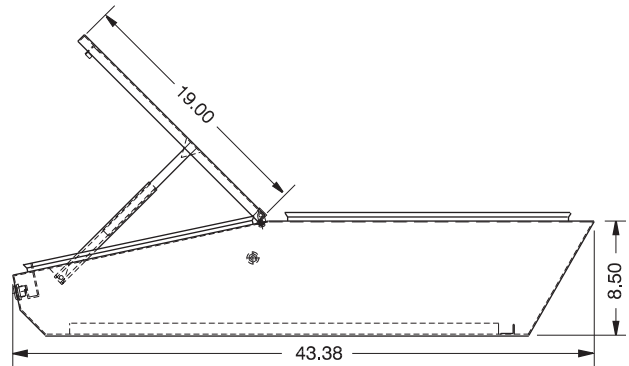
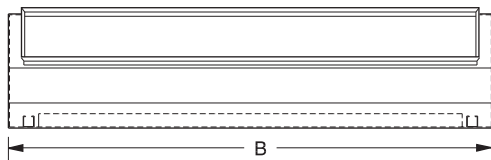


Deep Desk Unit



Inside View of Door

Clearance area for mounting hardware on desk unit sloping door



Standard Desk Unit

RAL 7035 Light Gray Part No.	Stainless Steel Part No.	B
2CLD82436	2CSD82436	24
2CLD83636	2CSD83636	36
2CLD84836	2CSD84836	48
2CLD86036	2CSD86036	60

Deep Desk Unit

RAL 7035 Light Gray Part No.	Stainless Steel Part No.	B
2CLD82443	2CSD82443	24
2CLD83643	2CSD83643	36
2CLD84843	2CSD84843	48
2CLD86043	2CSD86043	60

Technical references and CAD downloads available at www.hammondmfg.com

All dimensions in inches unless specified otherwise

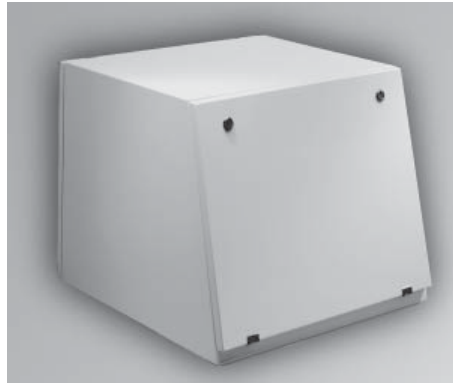
Quality Products. Service Excellence.

Series 2000 Modular Console System - NEMA 12, 4, 4X Turret Units

Operator Interface Enclosure



Standard Turret



Deep Turret



Application

- Ideal as a housing for video screens.
- Flexible design provides panel mount or rack mount capabilities for a variety of applications.
- Generally used in combination with other modular console components (ie. base, pedestal, and/or desk).
- Available in either Standard (supported by Base, Pedestal, or Standard Desk) or Deep (supported by Deep Desk only) format.
- Smooth lines and clean edges provide an attractive, contemporary appearance.

Standards

RAL 7035 Light Gray

- UL 508 Type 3R, 4, 12
- CSA Type 3R, 4, 12, 13
- EIA RS-310-D
- Complies with
 - NEMA Type 3R, 4, 12
 - IEC 60529, IP66

Stainless Steel (Type 304)

- UL 508 Type 3R, 4, 4X and 12
- CSA Type 3R, 4, 4X and 12
- EIA RS-310-D
- Complies with
 - NEMA Type 3R, 4, 4X, 12
 - IEC 60529, IP66

Construction

- Formed 14 gauge steel bodies with 14 gauge steel doors.
- Also offered with formed 14 gauge 304 stainless steel bodies with 14 gauge 304 stainless steel doors.
- Smooth, continuously welded seams without knockouts or holes.
- Body stiffeners are provided where required for increased strength and rigidity.
- Offered in 4 widths 24", 36", 48" and 60".
- Features solid sides and top, solid door on front (opens down) and back (opens up), and open bottom.
- Front door features sliding rod mechanism, which allows a 102° opening when in the lowered position.
- Rear door features manual, 3 position adjustable door stop which provides convenient support while door in open position.
- Formed lip on enclosure excludes flowing liquids and contaminants.
- Slotted quarter turn oil-tight latches secure the door, with optional tamper resistant and locking latches available.
- Stainless steel models utilize stainless steel hardware.
- Oil resistant gaskets are permanently secured and mechanically retained.
- Features several internal stud locations for mounting of various accessories.
- A bonding screw is provided on the door and a grounding stud is provided in the enclosure.

Finish

- Available in RAL 7035 light gray textured powder coating and natural stainless steel with a smooth, brushed finish.
- 24" Front Window Door available in same finishes.

Accessories

- Air conditioners...see page 349-367
- Blowers...see page 389
- Filter fans...see page 371-384
- Fan trays...see page 391
- Heaters...see page 393-396
- Series 2000 Modular Console Accessories...see page 221-228
- Rack Mount Accessories
...see page 229-232

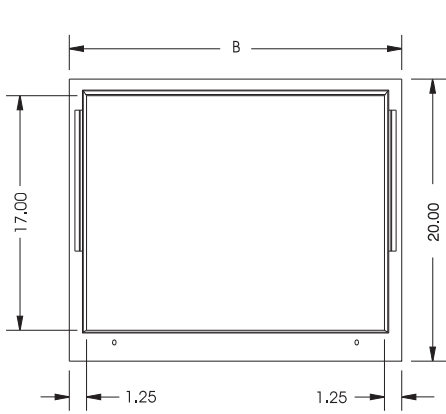
Modular Console System

Series 2000 Modular Console System - NEMA 12, 4, 4X Turret Units

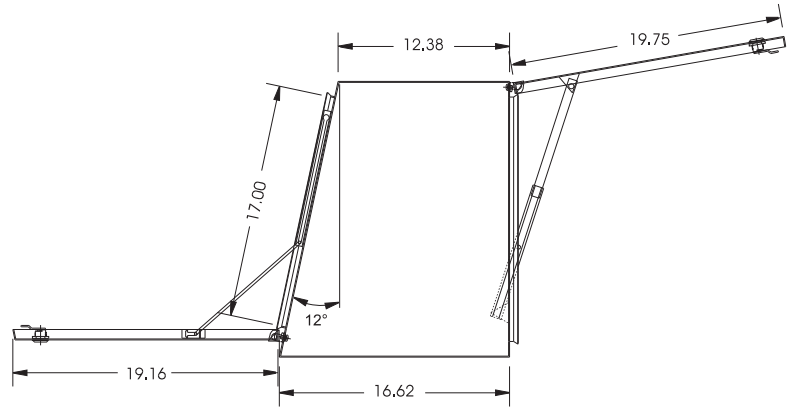
Operator Interface Enclosure

Modular Console System

Standard Turret

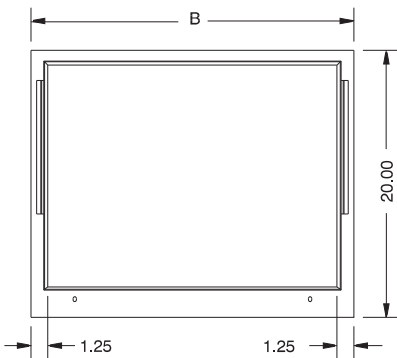


Front View

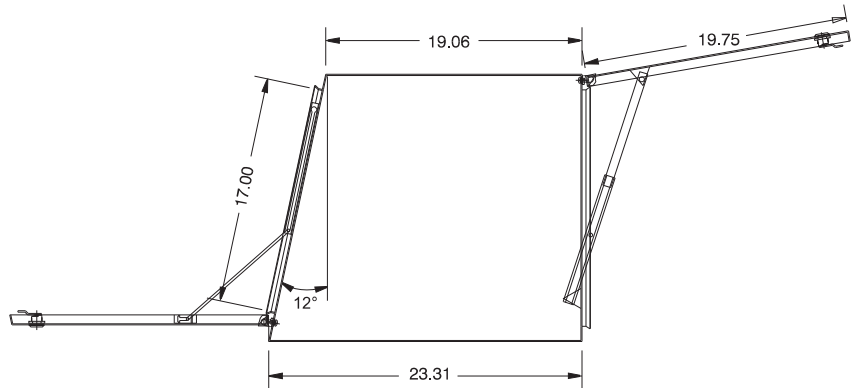


Side View

Deep Turret



Front View



Side View

Standard Turret

RAL 7035 Light Gray Part No.	Stainless Steel Part No.	B
2CLT202436	2CST202436	24
2CLT203636	2CST203636	36
2CLT204836	2CST204836	48
2CLT206036	2CST206036	60

Deep Turret

RAL 7035 Light Gray Part No.	Stainless Steel Part No.	B
2CLT202443	2CST202443	24
2CLT203643	2CST203643	36
2CLT204843	2CST204843	48
2CLT206043	2CST206043	60

Technical references and CAD downloads available at www.hammondmfg.com

All dimensions in inches unless specified otherwise

Quality Products. Service Excellence.

Series 2000 Modular Console System - NEMA 12, 4, 4X Console

Operator Interface Enclosure



Note: Plinth and footrest shown in photo are optional.

Application

- Serves as an economical housing for operator interface applications.
- Provides an ideal sloped surface for mounting keyboards, switches, indicator lights, and/or dials.
- Provides panel mounting capabilities for a variety of applications.
- Generally used as a stand alone enclosure. Possible to put side by side with base on a single plinth (ie. 36" wide console with 24" base with terminal all together on a 60" plinth).
- Optional casters (require plinth) allow for a completely mobile, NEMA rated work station.
- Smooth lines and clean edges provide an attractive, contemporary appearance.

Standards

RAL 7035 Light Gray

- UL 508 Type 3R, 4, 12
- CSA Type 3R, 4, 12, 13
- EIA RS-310-D
- **Complies with**
 - NEMA Type 3R, 4, 12
 - IEC 60529, IP66

Stainless Steel (Type 304)

- UL 508 Type 3R, 4, 4X, 12
- CSA Type 3R, 4, 4X, 12
- **Complies with**
 - NEMA Type 3R, 4, 4X, 12
 - IEC 60529, IP66

Construction

- Formed 14 gauge steel bodies with 14 gauge steel door and lid.
- Also offered with formed 14 gauge 304 stainless steel bodies with 14 gauge 304 stainless steel door and lid.
- Smooth, continuously welded seams without knockouts or holes.
- Body stiffeners are provided where required for increased strength and rigidity.
- Offered in 4 widths 24", 36", 48" and 60".
- Has solid sides and back, solid door on front, 3 point adjustable lid on sloped (20°) top, and closed bottom with removable access panel.
- 24" and 36" widths have single door on the front whereas 48" and 60" widths have two outside hinged doors on the front.
- Doors can be hinged from either side on 24" and 36" units.
- Door profiles provide increased strength and are pre-punched to provide mounting options.
- Formed lip on enclosure excludes flowing liquids and contaminants.

- Slotted quarter turn oil-tight latches secure the door and lid, with optional tamper resistant and locking latches available.
- Stainless steel models utilize stainless steel hardware.
- Oil resistant gaskets are permanently secured and mechanically retained.
- Features internal stud locations for mounting optional inner panel.
- A bonding screw is provided on the door and a grounding stud is provided in the enclosure.

Finish

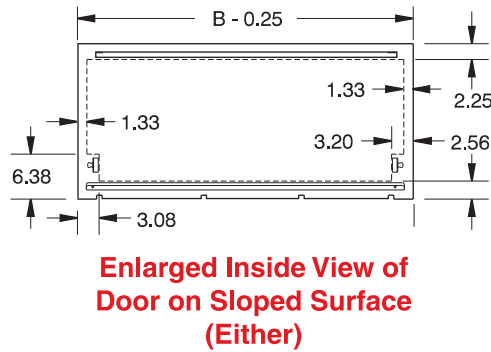
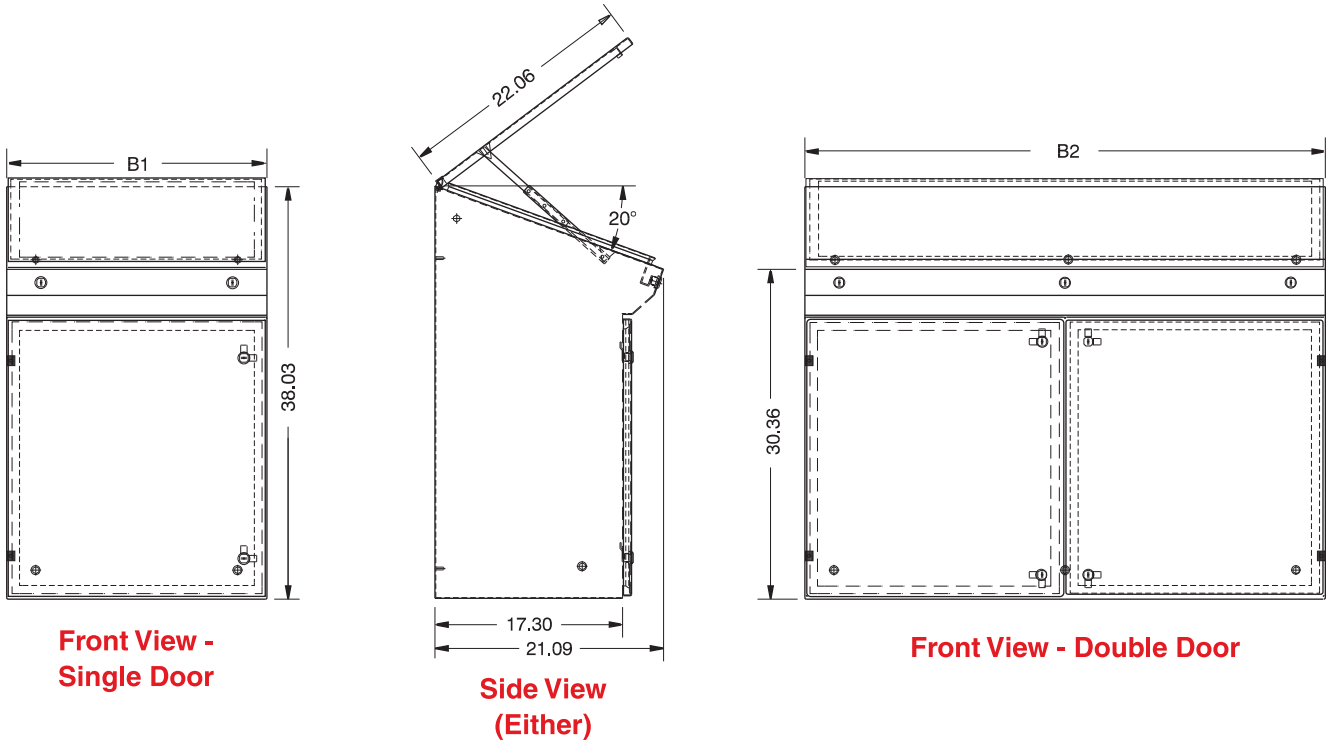
- Available in RAL 7035 light gray textured powder coating and natural stainless steel with a smooth, brushed finish.

Accessories

- Air conditioners...see page [349-367](#)
- Blowers...see page [389](#)
- Filter fans...see page [371-384](#)
- Fan trays...see page [391](#)
- Heaters...see page [393-396](#)
- Series 2000 Modular Console Accessories...see page [221-228](#)

Modular Console System

Series 2000 Modular Console System - NEMA 12, 4, 4X Consolelet

Operator Interface Enclosure
Modular Console System


RAL 7035 Light Gray Part No.	Stainless Steel Part No.	B1	B2
2CLC2024	2CSC2024	24	n/a
2CLC2036	2CSC2036	36	n/a
2CLC2048	2CSC2048	n/a	48
2CLC2060	2CSC2060	n/a	60

Series 2000 Modular Console System - NEMA 12, 4, 4X Terminal

Operator Interface Enclosure



Note: Pedestal, plinth and casters shown in photo are optional.



Note: Base and plinth shown in photo are optional.



Application

- Ideal as a housing for a complete personal computer system including video screen, keyboard and PLC.
- Flexible design provides panel mount or rack mount capabilities for a variety of applications.
- Generally used in combination with other modular console components (ie. base or pedestal). Mounting on base provides extra room for PLC's and/or printer-paper stands.
- Optional casters (require plinth) allow for a completely mobile, NEMA rated work station.
- Smooth lines and clean edges provide an attractive, contemporary appearance.

Standards

RAL 7035 Light Gray

- UL 508 Type 3R, 4, 12
- CSA Type 3R, 4, 12, 13
- EIA RS-310-D
- **Complies with**
 - NEMA Type 3R, 4, 12
 - IEC 60529, IP66

Stainless Steel (Type 304)

- UL 508 Type 3R, 4, 4X, 12
- CSA Type 3R, 4, 4X, 12
- EIA RS-310-D
- **Complies with**
 - NEMA Type 3R, 4, 4X, 12
 - IEC 60529, IP66

Construction

- Formed 14 gauge steel bodies with 14 gauge steel doors.
- Also offered with formed 14 gauge 304 stainless steel bodies with 14 gauge 304 stainless steel doors.
- Smooth, continuously welded seams.
- Body stiffeners are provided where required for increased strength and rigidity.
- Offered in 24" width only.
- Features solid sides and top, 2 solid doors on front (both open downlower, smaller door for keyboard shelf) and back (opens up), and open bottom.
- Lower drop down door provides access to optional slide-out keyboard drawer.
- Front doors feature sliding rod mechanism which allows a 102° opening when in the lowered position.
- Rear door features manual, 3 position adjustable door stop which provides convenient support while door in open position.
- Formed lip on enclosure excludes flowing liquids and contaminants.
- Slotted quarter turn oil-tight latches secure the door, with optional tamper resistant and locking latches available.
- Stainless steel models utilize stainless steel hardware.
- Oil resistant gaskets are permanently secured and mechanically retained.

- Features several internal stud locations for mounting of various accessories.
- A bonding screw is provided on the door and a grounding stud is provided in the enclosure.

Finish

- Available in RAL 7035 light gray textured powder coating and natural stainless steel with a smooth, brushed finish.
- 24" Front Window Door available in same finishes.

Accessories

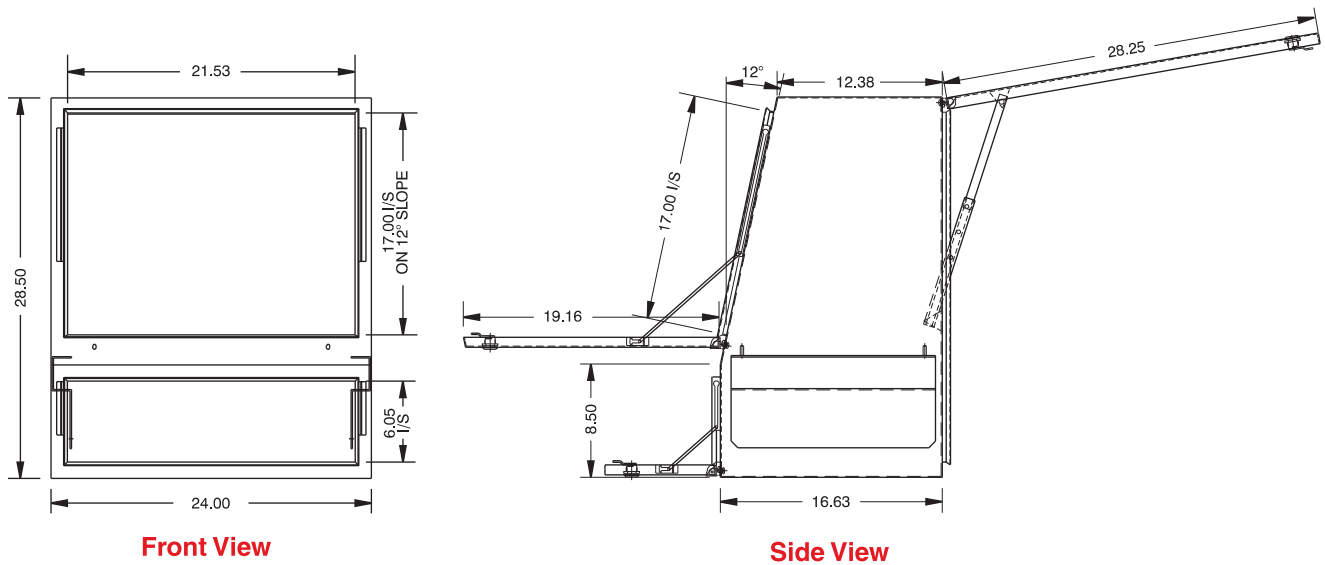
- Air conditioners...*see page 349-367*
- Blowers...*see page 389*
- Filter fans...*see page 371-384*
- Fan trays...*see page 391*
- Heaters...*see page 393-396*
- Series 2000 Modular Console Accessories...*see page 221-228*
- Rack Mount Accessories...*see page 229-232*

Modular Console System

Series 2000 Modular Console System - NEMA 12, 4, 4X Terminal

Operator Interface Enclosure

Modular Console System



Note: For added depth, see Data Terminal Extension Ring...see page [222](#)

Part No.	Finish
2CLD24R	Type 4 RAL 7035 Light Gray
2CSD24R	Type 4, 4X Stainless Steel

Terminal Keyboard shelf is optional...see page [225](#)

Series 2000 Modular Console System - NEMA 12, 4, 4X

Master Selection Tables

Operator Interface Enclosure



Master Selection Table - Modular Console System Components

System Width	Single Access Base	Dual Access Base	Standard Desk	Deep Desk
Type 4 RAL 7035 Light Gray				
24"	2CLB262418	2CLBX262418	2CLD82436	2CLD82443
36"	2CLB263618	2CLBX263618	2CLD83636	2CLD83643
48"	2CLB264818	2CLBX264818	2CLD84836	2CLD84843
60"	2CLB266018	2CLBX266018	2CLD86036	2CLD86043
Type 4, 4X Stainless Steel				
24"	2CSB262418	2CSBX262418	2CSD82436	2CSD82443
36"	2CSB263618	2CSBX263618	2CSD83636	2CSD83643
48"	2CSB264818	2CSBX264818	2CSD84836	2CSD84843
60"	2CSB266018	2CSBX266018	2CSD86036	2CSD86043

Master Selection Table - Data Terminal

System Width	Plinth 4"	Plinth 8"	Footrest	Pedestal	24" Window Door	Terminal Keyboard Shelf
Type 4 RAL 7035 Light Gray						
24"	2CLP42418	2CLP82418	2CLF24	2CLS	2CLTW24	2CWDSR
Type 4, 4X Stainless Steel						
24"	2CSP42418	2CSP82418	2CSF24	2CSS	2CSTW24	2CWDSR



Master Selection Table - Consolet

System Width	Consolet	Plinth 4"	Plinth 8"	Footrest	Consolet Panel
Type 4 RAL 7035 Light Gray					
24"	2CLC2024	2CLP42418	2CLP82418	2CLF24	2CWCP24
36"	2CLC2036	2CLP43618	2CLP83618	2CLF36	2CWCP36
48"	2CLC2048	2CLP44818	2CLP84818	2CLF48	2CWCP48
60"	2CLC2060	2CLP46018	2CLP86018	2CLF60	2CWCP60
Type 4, 4X Stainless Steel					
24"	2CSC2024	2CSP42418	2CSP82418	2CSF24	2CWCP24
36"	2CSC2036	2CSP43618	2CSP83618	2CSF36	2CWCP36
48"	2CSC2048	2CSP44818	2CSP84818	2CSF48	2CWCP48
60"	2CSC2060	2CSP46018	2CSP86018	2CSF60	2CWCP60



Modular Console System

Technical references and CAD downloads available at www.hammondmfg.com

All dimensions in inches unless specified otherwise

Series 2000 Modular Console System - NEMA 12, 4, 4X

Master Selection Tables

Operator Interface Enclosure


Master Selection Table - Modular Console System Components

System Width	Standard Turret	Deep Turret	Plinth 4"	Plinth 8"	Footrest	Pedestal
Type 4 RAL 7035 Light Gray						
24"	2CLT202436	2CLT202443	2CLP42418	2CLP82418	2CLF24	2CLS
36"	2CLT203636	2CLT203643	2CLP43618	2CLP83618	2CLF36	—
48"	2CLT204836	2CLT204843	2CLP44818	2CLP84818	2CLF48	—
60"	2CLT206036	2CLT206043	2CLP46018	2CLP86018	2CLF60	—
Type 4, 4X Stainless Steel						
24"	2CST202436	2CST202443	2CSP42418	2CSP82418	2CSF24	2CSS
36"	2CST203636	2CST203643	2CSP43618	2CSP83618	2CSF36	—
48"	2CST204836	2CST204843	2CSP44818	2CSP84818	2CSF48	—
60"	2CST206036	2CST206043	2CSP46018	2CSP86018	2CSF60	—



Master Selection Table - Data Terminal

System Width	Data Terminal	Data Terminal Extension Ring	Single Access Base	Dual Access Base	Base Panel
Type 4 RAL 7035 Light Gray					
24"	2CLD24R	2CLD24X	2CLB262418	2CLBX262418	2CWBP24
Type 4, 4X Stainless Steel					
24"	2CSD24R	2CSD24X	2CSB262418	2CSBX262418	2CWBP24

Modular Console System

Series 2000 Modular Console System - NEMA 12, 4, 4X

External Components

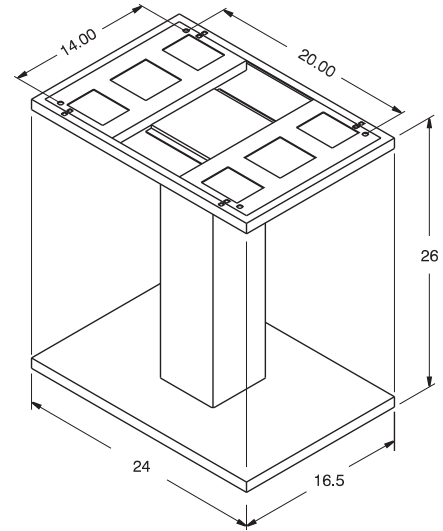
Operator Interface Enclosure



Pedestal

- Maintains NEMA rating of system.
- Formed 14 gauge steel.
- Also offered with formed 14 gauge stainless steel.
- Stiffeners added for solid stability.
- Open top and bottom provides an unobstructed wireway for pull through cabling.
- Can be mounted directly on floor or on a plinth.
- Available in light gray and natural stainless steel.

Part No.	Finish
2CLS	RAL 7035 Light Gray
2CSS	Stainless Steel

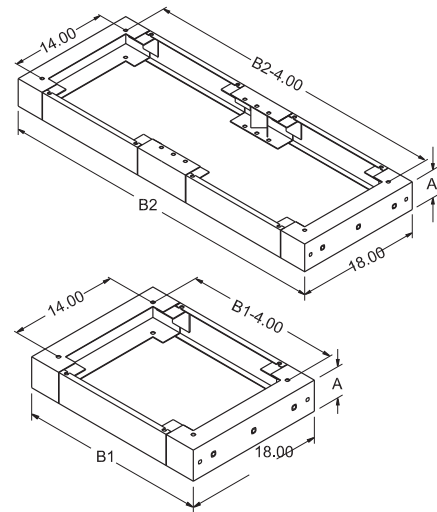


Modular Console System



Modular Plinth

- Features removable front and rear panels for easy access to bottom for cabling or transport by forklift.
- For cable access, features 3 double knockouts on each end. (**NOTE:** not on stainless steel version)
- Available in 4" and 8" heights.
- Available in 24", 36", 48" and 60" widths.
- Maintains NEMA rating of system.
- Formed 14 gauge steel.
- Also offered with formed 14 gauge stainless steel.
- Available in light gray and natural stainless steel.

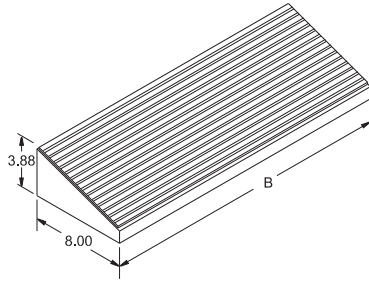
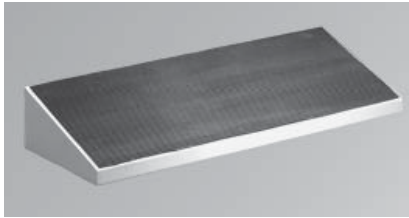


RAL 7035 Light Gray Part No.	Stainless Steel Part No.	A	B1	B2
2CLP42418	2CSP42418	4	24	—
2CLP43618	2CSP43618	4	36	—
2CLP44818	2CSP44818	4	—	48
2CLP46018	2CSP46018	4	—	60
2CLP82418	2CSP82418	8	24	—
2CLP83618	2CSP83618	8	36	—
2CLP84818	2CSP84818	8	—	48
2CLP86018	2CSP86018	8	—	60

Series 2000 Modular Console System - NEMA 12, 4, 4X

External Components

Operator Interface Enclosure



Footrest

- Generally used in combination with plinth.
- Provides a raised foot support to relieve back stress.
- Gives the installation a "finished" appearance.
- Available in 24", 36", 48" and 60" widths.
- Maintains NEMA rating of system.
- Formed 14 gauge steel.
- Also offered with formed 14 gauge stainless steel.
- Rubber tread for added traction on footrest surface.
- Available in light gray and natural stainless steel.

RAL 7035 Light Gray Part No.	Stainless Steel Part No.	B
2CLF24	2CSF24	24
2CLF36	2CSF36	36
2CLF48	2CSF48	48
2CLF60	2CSF60	60

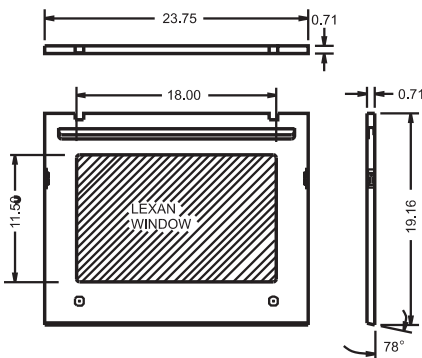


Data Terminal Extension Ring

- Formed 14 gauge steel.
- Adds 6" to Data Terminal Depth.
- Maintains NEMA rating.
- Utilizes door from Data Terminal.
- Fastens flush to back of Data Terminal.
- Available in light gray and natural stainless steel.

Part No.	Finish
2CLD24X	RAL 7035 Light Gray
2CSD24X	Stainless Steel

Modular Console System



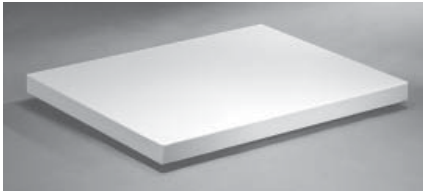
Turret/Terminal Window Door

- Maintains the NEMA rating of the enclosure.
- Constructed of 14 gauge steel and lexan window.
- Easy field installation.
- Fits Standard Turret, Deep Turret, and Data Terminal.
- Offered in 24" width only.
- Available in light gray and natural stainless steel.

Part No.	Finish
2CLTW24	RAL 7035 Light Gray
2CSTW24	Stainless Steel

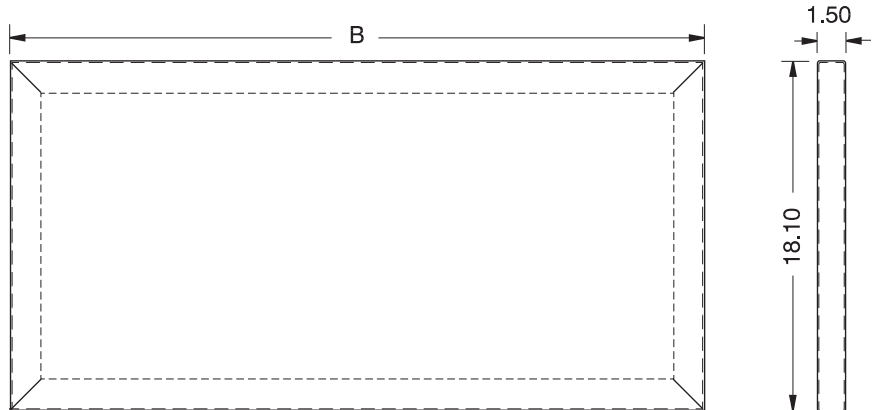
Series 2000 Modular Console System - NEMA 12, 4, 4X

External Components/Internal Accessories

Operator Interface Enclosure


Base Cover

- Should be used to close top opening (of either single or dual access) base when no other components are mounted on the base's top.
- Constructed of 14 gauge steel.
- Available light gray and natural stainless steel.
- Can also be used on the underside of a Standard Desk Unit, Standard Turret and Data Terminal.

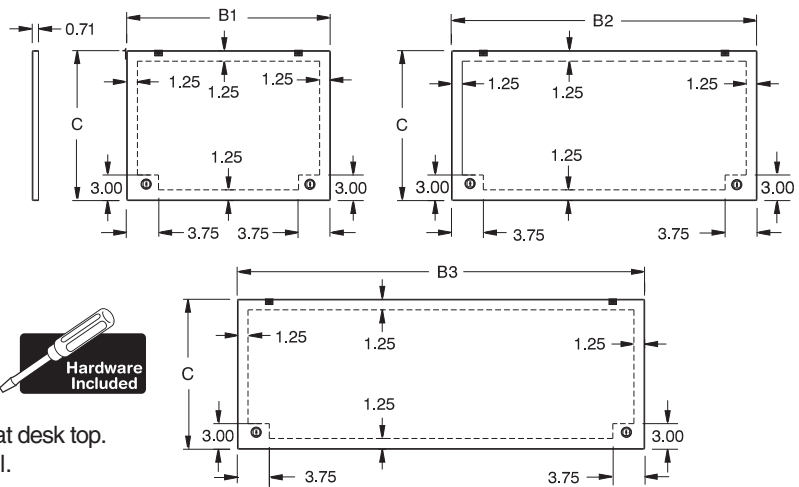


RAL 7035 Light Gray Part No.	Stainless Steel Part No.	B
2CLBC2436	2CSBC2436	24
2CLBC3636	2CSBC3636	36
2CLBC4836	2CSBC4836	48
2CLBC6036	2CSBC6036	60



Desk Cover

- For use when no turret is used on top of desk.
- Provides a hinged, flat, sturdy desk surface.
- Available for either Standard or Deep desks.
- Constructed of 14 gauge steel.
- Features quarter turn latches for easy access into flat desk top.
- Available in light gray and natural stainless steel.



RAL 7035 Light Gray Part No.	Stainless Steel Part No.	B1	B2	B3	C
Standard Depth Desk Cover					
2CLDC2436	2CSDC2436	23.75	—	—	16.38
2CLDC3636	2CSDC3636	—	35.75	—	16.38
2CLDC4836	2CSDC4836	—	—	47.75	16.38
2CLDC6036	2CSDC6036	—	—	59.75	16.38
Deep Depth Desk Cover					
2CLDC2443	2CSDC2443	23.75	—	—	24.03
2CLDC3643	2CSDC3643	—	35.75	—	24.03
2CLDC4843	2CSDC4843	—	—	47.75	24.03
2CLDC6043	2CSDC6043	—	—	59.75	24.03

 Technical references and CAD downloads available at www.hammondmfg.com

All dimensions in inches unless specified otherwise

Modular Console System

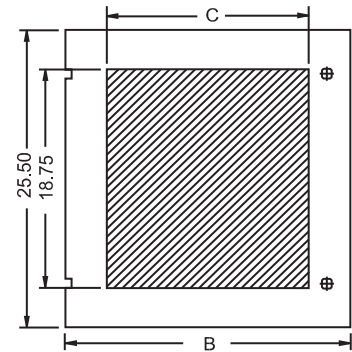
Series 2000 Modular Console System - NEMA 12, 4, 4X

External Components/Internal Accessories

Operator Interface Enclosure


Base Window Door

- Maintains the NEMA rating of the enclosure.
- Constructed of 14 gauge steel and lexan window.
- Easy field installation.
- Available for the 4 base widths.
- On 2 door units, a window can be installed on one side only.
- Available in light gray and natural stainless steel.



RAL 7035 Light Gray Part No.	Stainless Steel Part No.	Fits Base Width	B	C
2CLBW24	2CSBW24	24	23.75	16.75
2CLBW36	2CSBW36	36	35.75	28.75
2CLBW48	2CSBW48	48	23.75	16.75
2CLBW60	2CSBW60	60	29.75	22.75



Base Panel

- 14 gauge steel panels are finished in white.
- Used in both single access and dual access bases.
- Available in 4 widths.
- Mounts into "C" Channel Mounting Kit (not included.)
- Hardware required for mounting into "C" channels is included.

Part No.	Fits Base			
	Width	Height	Width	Depth
2CWBP24	24	22.5	20	0.75
2CWBP36	36	22.5	32	0.75
2CWBP48	48	22.5	44	0.75
2CWBP60	60	22.5	56	0.75



Console Panel

- 12 gauge steel panels.
- Available in 4 widths.
- Mounts onto panel mounting studs in consolet.
- Finished in white.



Part No.	Fits Consolet Width	Height	Width	Depth
2CWCP24	24	30.5	20.5	0.75
2CWCP36	36	30.5	32.5	0.75
2CWCP48	48	30.5	44.5	0.75
2CWCP60	60	30.5	56.5	0.75

Modular Console System

Series 2000 Modular Console System - NEMA 12, 4, 4X

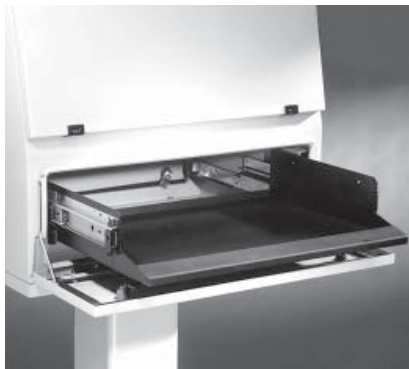
Internal Accessories

Operator Interface Enclosure

Desk Inner Panel

- 12 gauge steel panels.
- Used in both Standard and Deep desks.
- Available in 4 widths.
- Mounts horizontally onto panel mounting channels in bottom of desk.
- Finished in white.

Part No.	Fits Console Width	Height	Width	Depth
2CWDP24	24	0.5	22	16
2CWDP36	36	0.5	34	16
2CWDP48	48	0.5	46	16
2CWDP60	60	0.5	58	16



Terminal Keyboard Shelf

- Designed specifically for use in Data Terminal.
- Sloped wrist rest provides comfort for operator.
- Locks in place when extended.
- 20" width accommodates standard width keyboards.
- Finished in textured black.
- Slides included.

Part No.	Height	Width	Depth
2CWDSR	3.88	20	15.63

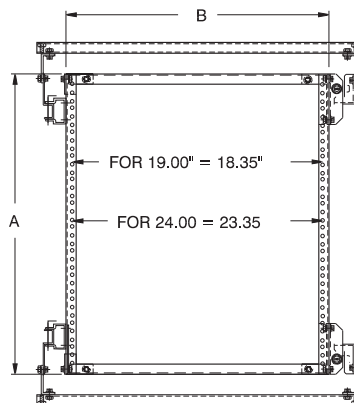


Swing Frame

- Available in 19" and 24" widths.
- Variable depth feature allows front to rear adjustment.
- Installs with either left or right hinging.
- Mounts onto Rail Support Kits (not included)...see next page.
- Clip nuts required for mounting to punched rails...see page 433
- Finished in textured black.



Part No.	Fits Console Unit	Fits Console Size	Panel Width	Panel Height	A	B
2CSFT19	Turrets/Terminal	24,36,48,60	19"	8U	15.75	19.28
2CSFT24	Turrets/Terminal	36,48,60	24"	8U	15.75	24.28
2CSFB19	Bases	24,36,48,60	19"	12U	22.09	19.28
2CSFB24	Bases	36,48,60	24"	12U	22.09	24.28


 Technical references and CAD downloads available at www.hammondmfg.com

All dimensions in inches unless specified otherwise

Modular Console System

Series 2000 Modular Console System - NEMA 12, 4, 4X

Internal Accessories

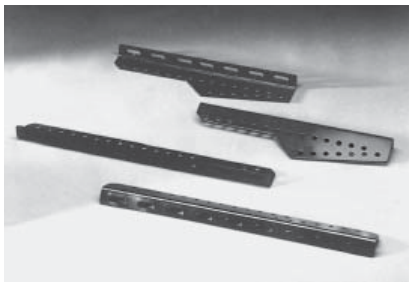
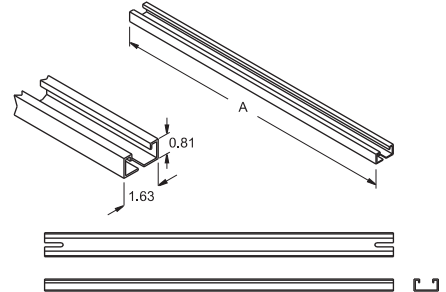
Operator Interface Enclosure



“C” Channel Mounting Kit

- For use in Turrets, Data Terminals and Bases.
- Provide adjustable (side to side) mounting support for Base Panels and all Rail Support Kits.
- Available in 4 widths.
- Finished in textured black.

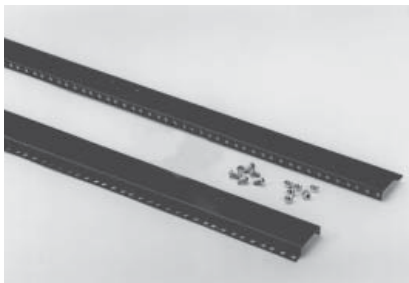
Part No.	Fits Console Width	A
2CMC24	24	23.5
2CMC36	36	33.5
2CMC48	48	47.5
2CMC60	60	59.5



Rail Support Kit

- Separate kits for Standard Turret/Data Terminal, Deep Turret and Bases.
- For use with Swing Frame, CRT Mounting Kit and Combination Rails.
- Mount into "C" channels (not included - see above).
- Finished in textured black.

Part No.	Fits Console Unit
2CTRSK36	Turret/Terminal
2CTRSK43	Deep Turret
2CBRSK	Base



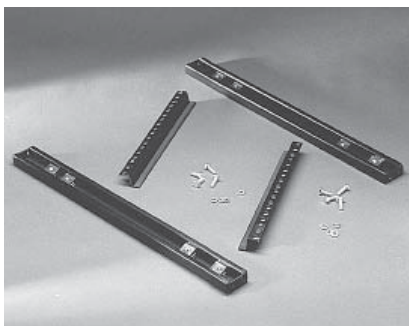
Combination Rails

- Provide standard 19"/24" mounting for electronic equipment or other console accessories.
- Features punched universal EIA spacing.
- Mounts onto Rail Support Kits (not included - see above).
- Clip nuts required for mounting to punched rails...see page 433
- Finished in black.

Part No.	Units	Fits Console Unit
2CTRK	9	Turrets/Terminal
2CBRK	13	Base



Modular Console System



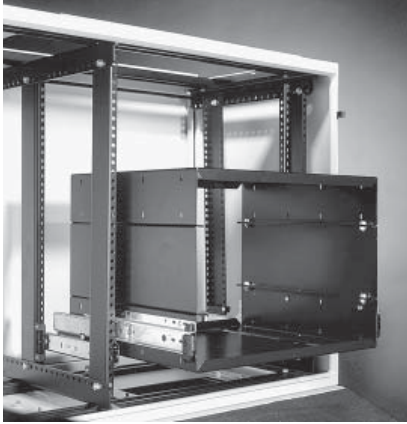
CRT Mounting Kit

- Adjustable width allows for mounting of most CRT models.
- For use in Turrets or Data Terminal.
- Mounts onto Rail Support Kits (not included - see above).
- Finished in textured black.

Part No.	2CRTK
----------	--------------

Series 2000 Modular Console System - NEMA 12, 4, 4X

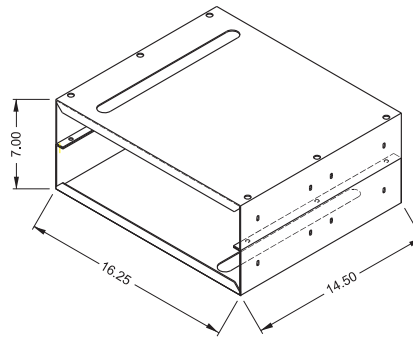
Internal Accessories

Operator Interface Enclosure


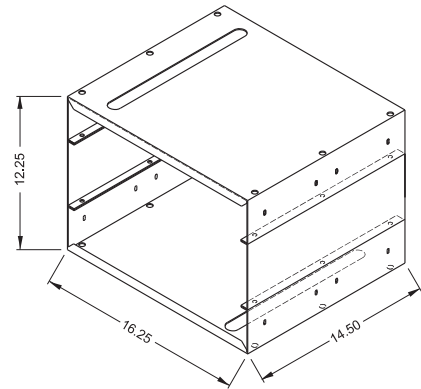
Printer and Paper Stand

- Provides convenient pullout access and support for printers in bases.
- Two versions available for high or low applications.
- Mounts onto Combination Rails (not included)...see page 226.
- Finished in textured black.
- Slides included.

Part No.	Description	Height
2CLPS	Low Printer Stand	7.00
2CHPS	High Printer Stand	12.25



Low Printer Stand



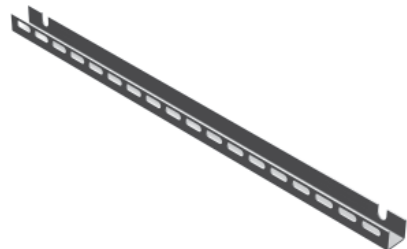
High Printer Stand

Modular Console System


Gas Filled Door Support

- Provide "lift assist" and door support for rear Turret/Data Terminal doors and Desk lids.
- Replace standard manual door supports.
- Finished in black.
- Sold individually.
- Recommend 1 for 24"/36" and 2 for 48"/60".

Part No.	2CDSTP
----------	---------------



DIN Rail Support Kit

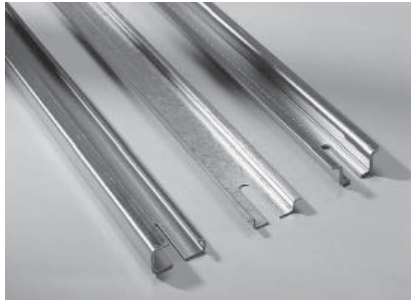
- Provide adjustable mounting support for DIN rails (sold separately.)
- For use in Bases only.
- Mount into "C" channels (not included)



Part No.	2CDMK
----------	--------------

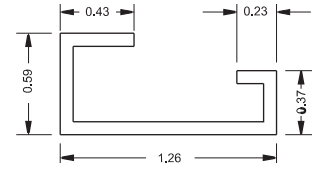
Series 2000 Modular Console System - NEMA 12, 4, 4X

Internal Accessories

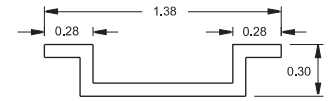
Operator Interface Enclosure


DIN Rails

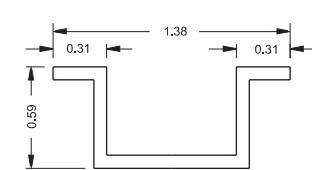
- Field installable.
- Includes a set of 3 plated rails.
- Available in 3 industry standard profiles - DIN 1, DIN 3, and CENELEC.
- DIN Rail Support Kit required...see page 227.
- Rails have a 0.28 x 1.25 oblong slot on each end.



Asymmetric DIN 1 Pro



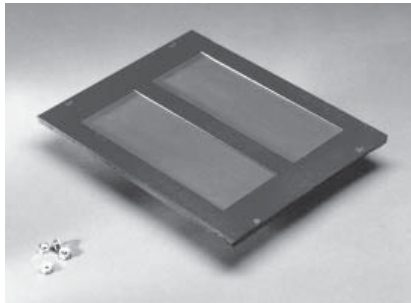
Symmetric DIN 3 Pro



CENELEC Pro

Asymmetric DIN1 Profile Part No.	Symmetric DIN 3 Profile Part No.	Cenelec Profile Part No.	Length
2D1K12	2D2K12	2DCK12	9.25
2D1K16	2D2K16	2DCK16	13.25
2D1K20	2D2K20	2DCK20	17.25
2D1K24	2D2K24	2DCK24	21.25
2D1K30	2D2K30	2DCK30	27.25

For sizing, refer to master selection table...see page 256.



Micro Cell Cable Entry Kit

- For use in Single or Dual Access Bases.
- Constructed of 14 gauge steel.
- Features 2 cutouts for cable access.
- Underside of cutouts covered with black foam rubber, which when punctured for cable access, still maintains a virtually sealed bottom.
- Finished in textured black.

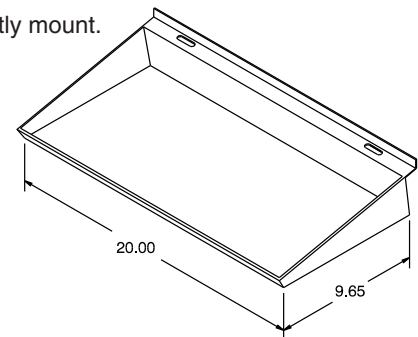
Part No. **2CMBPK**



Mobile Keyboard Support

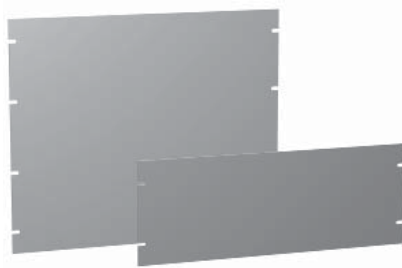
- Installs easily at any location along front of Desks or Consolet.
- Provides auxiliary or temporary keyboard support.
- 20" width accommodates standard width keyboards.
- Finished in textured black.
- Requires two drilled holes to permanently mount.

Part No. **2CMKS24**


Modular Console System

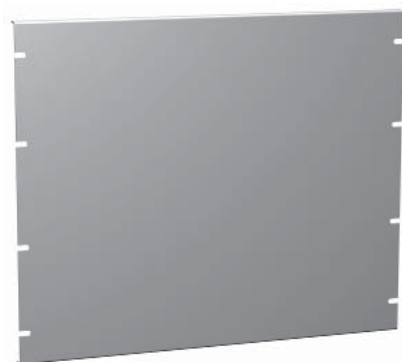
Series 2000 Modular Console System - NEMA 12, 4, 4X

Rack Mount Accessories

Operator Interface Enclosure


Flat Steel or Aluminum Panels

- Economical panels are made from high quality steel or aluminum.
- Mounting hardware not included, please order separately.
- Available in light gray (LG2), black (BK2) or gray (GY2).
- Aluminum panels are also available unfinished (UNF).



Formed Steel Panel

- A 0.50" fold top and bottom adds strength without increasing the panel thickness.
- Mounting hardware not included, please order separately.
- Available in light gray (LG2), black (BK2) or gray (GY2).


Modular Console System

No. of Slots	Panel Height Inches	Units	Flat 14 Gauge Steel (0.075")	Flat 0.125" Aluminum	Formed 16 Gauge Steel (0.060")
4	1.75	1	PBPS19001... ¹	PBPA19001... ²	PBFS19001... ¹
	3.50	2	PBPS19003...	PBPA19003...	PBFS19003...
	5.25	3	PBPS19005...	PBPA19005...	PBFS19005...
	7.00	4	PBPS19007...	PBPA19007...	PBFS19007...
	8.75	5	PBPS19008...	PBPA19008...	PBFS19008...
8	10.50	6	PBPS19010...	PBPA19010...	PBFS19010...
	12.25	7	PBPS19012...	PBPA19012...	PBFS19012...
	14.00	8	PBPS19014...	PBPA19014...	PBFS19014...
	15.75	9	PBPS19015...	PBPA19015...	PBFS19015...
	17.50	10	PBPS19017...	PBPA19017...	PBFS19017...
	19.25	11	PBPS19019...	PBPA19019...	PBFS19019...
	21.00	12	PBPS19021...	PBPA19021...	PBFS19021...
	22.75	13	PBPS19022...	PBPA19022...	PBFS19022...
10	24.50	14	PBPS19024...	PBPA19024...	PBFS19024...
	26.25	15	PBPS19026...	PBPA19026...	PBFS19026...
12	28.00	16	PBPS19028...	PBPA19028...	PBFS19028...
	29.75	17	PBPS19029...	PBPA19029...	PBFS19029...
	31.50	18	PBPS19031...	PBPA19031...	PBFS19031...

¹ Specify color code. Light Gray (LG2), Black (BK2) or Gray (GY2).

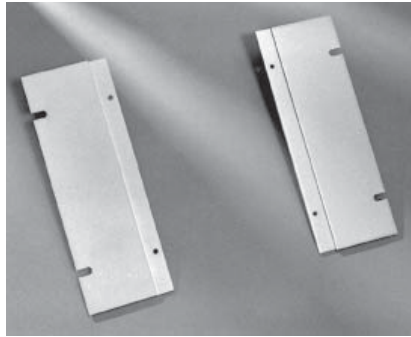
1 unit = 1.75"

² Specify color code. Light Gray (LG2), Black (BK2) Gray (GY2) or Unfinished (UNF). When unfinished, panels are paper covered on one side.

Series 2000 Modular Console System - NEMA 12, 4, 4X

Rack Mount Accessories

Operator Interface Enclosure



Panel Width Adaptors

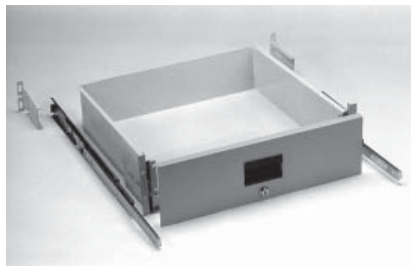
- Used for adapting flat 19" or 23" panels for 24" rack mounting.
- Mounting hardware not included, please order separately.
- 19" sold in pairs, 23" sold individually (only 1 required).
- Available in light gray or black.

Panel Height		For 14 Ga. Steel (0.075")
Inches	Units	19" Widths
1.75	1 ²	PBAS19001... ¹
3.50	2 ²	PBAS19003...
5.25	3 ²	PBAS19005...
7.00	4 ²	PBAS19007...
8.75	5 ²	PBAS19008...
10.50	6	PBAS19010...
12.25	7	PBAS19012...
14.00	8	PBAS19014...



¹Specify color code. Light Gray (LG2) or Black (BK2).

² 23" to 24" adaptors are available in these heights only; substitute "23" for "19" in the part no.



Storage Drawer Kit

- Complete drawer kit with slides and lock.
- Available in 3 depths.
- Rear support brackets included for all depths.
- Available in light Gray or black.

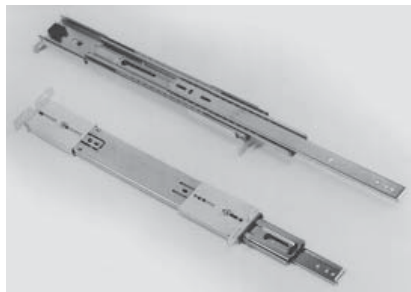


19" Drawer Kit Part Numbers			Panel Height	Units
12" Deep Drawer	16" Deep Drawer	22" Deep Drawer	Inches	
RDRW1900312... ¹	RDRW1900316... ¹	RDRW1900322... ¹	3.50	2
RDRW1900512...	RDRW1900516...	RDRW1900522...	5.25	3
RDRW1900712...	RDRW1900716...	RDRW1900722...	7.00	4
RDRW1900812...	RDRW1900816...	RDRW1900822...	8.75	5

¹ Specify 3 digit color code. Light Gray (LG1) or Black (BK1).

1 unit = 1.75"

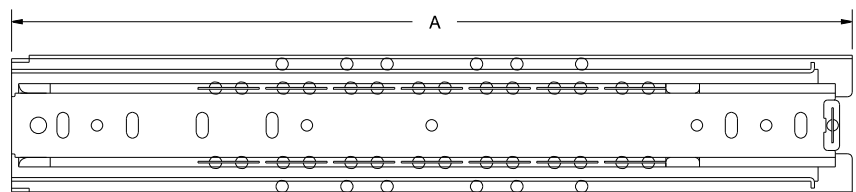
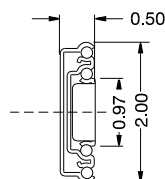
For 24" panel width versions, substitute "19" with "24" in the part number.



Equipment Slides

- Sold in **pairs**.
- Mounts on combination rail front flange (not included).

Part No.	(A) Length	Weight
		Capacity (Pair)
RSLIDE12	12	120 lb
RSLIDE16	16	130 lb
RSLIDE22	22	120 lb



Modular Console System

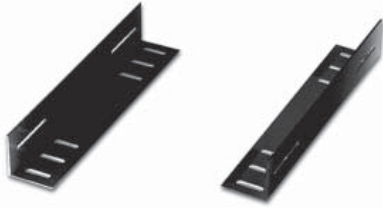
Technical references and CAD downloads available at www.hammondmfg.com

All dimensions in inches unless specified otherwise

Quality Products. Service Excellence.

Series 2000 Modular Console System - NEMA 12, 4, 4X

Rack Mount Accessories

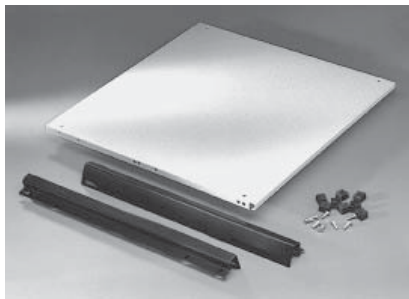
Operator Interface Enclosure


Adjustable Support Angles

- Angles mount on accessory rails with either leg used as support depending on requirements.
- Slots allow up/down or front/back adjustments.
- Made of 14 gauge steel, with dimensions of 1.75" x 1.75".
- Finished in black (BK3).
- Mounting hardware not included, please order separately.



Part No. (Pair)	Length (Inches)
RASA12BK3	9.98
RASA16BK3	14.95
RASA22BK3	20.95



Fixed Chassis/Shelf

- Can be used as a permanently mounted support shelf between accessory rails or as a pull-out chassis.
- Accepts optional slides for pull-out application.
- Material is 18 gauge (shelf) and 14 gauge (brackets).
- Shelf is 16.8" wide x 0.5" high.
- Refer to table at right for depth.
- Finished in white.



Part No.	Panel Width	Shelf Depth (In.)	Bracket Depth (In.)
RASC1912WH2	19	11.9	13.2
RASC1916WH2	19	15.9	14.9
RASC1922WH2	19	21.9	20.9
RASC2412WH2	24	11.9	13.2
RASC2416WH2	24	15.9	14.9
RASC2422WH2	24	21.9	20.9

Modular Console System


Equipment Shelf

- This closed utility shelf has 1.5 diameter cord access holes in each bottom corner. Fabricated from 18 gauge steel on top, bottom and sides.
- Inside dimensions are: 17.2" (wide) x 15.0" (deep).
- Height is 1" less than panel space.
- Finished in white.
- Mounting hardware not included, please order separately.



Part No.	Panel Height	
	Inches	Units
RASE1900815WH2	8.75	5
RASE1901015WH2	10.50	6
RASE1901215WH2	12.25	7

1 unit = 1.75"



Adjustable Support Bar

- This 16 gauge steel support fastens between accessory rails for support across rear of equipment.
- Minor modification required for use with tapped rails.
- Finished in black.



Part No.	Length (Inches)
RASB19BK1	19
RASB24BK1	24

Technical references and CAD downloads available at www.hammondmfg.com

All dimensions in inches unless specified otherwise

Series 2000 Modular Console System - NEMA 12, 4, 4X Rack Mount Accessories

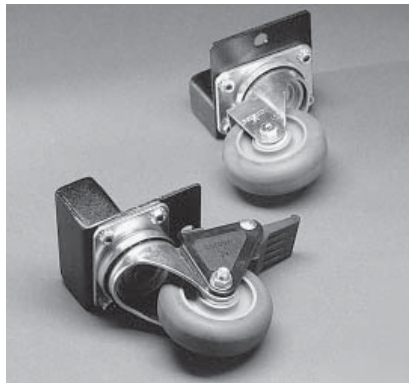
Operator Interface Enclosure



Optional Locks & Latches

- Field installable.
- Interchangeable with standard latches.
- Maintains NEMA Type 4, 4X, 12, 13 rating.

Part No.	Description
2WKL	Wing knob lock, zinc die/black
2SQI7	7mm square insert, black
2SQK7	7mm square key, fits 2SQI7
2TRI7	7mm triangle insert, black
2TRK7	7mm triangle key, fits 2TRI7
2SLI	Slotted insert, black
2QPL	Padlockable quarter turn latch, black



Series 2000 Console Casters

- Locking and non-locking versions.
- Mount directly to plinths.
- Sold in pairs to provide ability to mix locking and non-locking.
- Recommend 4 casters for 24"/36" and 6 casters for 48"/60".
- Weight capacity of 500 lbs. per pair.

Part No.	Type	No. of Casters
2CCSTL	Locking	2
2CCSTN	Non-Locking	2

Modular Console System

1488 Series Consolets - NEMA 12, 13

Hinged Cover Consolets

Operator Interface Enclosure



Application

- Designed for use as electric, hydraulic or pneumatic control and instrument enclosures.
- Ideal for flat or surface mounting/ pedestal to provide the necessary 30° or 60° control slope.
- Provides protection from dirt, dust, oil and water.

Standards

- UL 508 Type 12, 13
- CSA Type 12, 13
- **Complies with**
 - NEMA Type 12, 13
 - IEC 60529, IP54

Construction

- Formed 14 gauge steel.
- Smooth, continuously welded seams.
- Construction provides either 30° or 60° slope on front cover depending on mounting position.
- Continuously hinged cover may be removed by pulling the hinge pin.
- Captive cover screws thread into sealed wells.
- Oil resistant gasket and adhesive.
- A bonding stud is provided on the door and a ground stud is provided on the enclosure.

Finish

- Cover and enclosure are phosphatized and finished in ANSI 61 gray powder coating.

Accessories

- Pedestals...see page 454

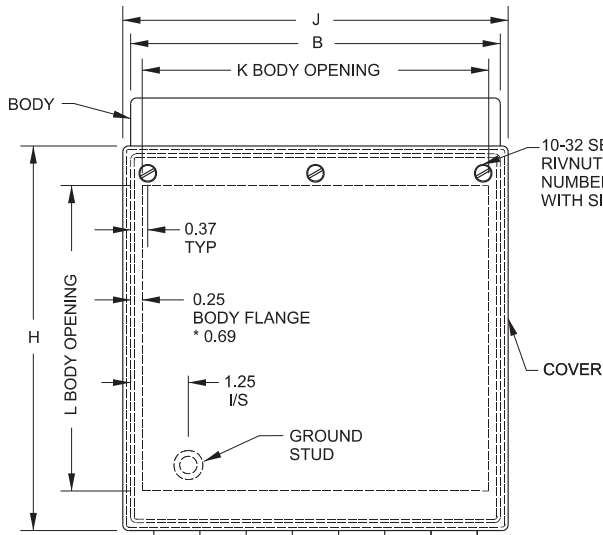
Consolet Enclosures

1488 Series Consolets - NEMA 12, 13

Hinged Cover Consolets

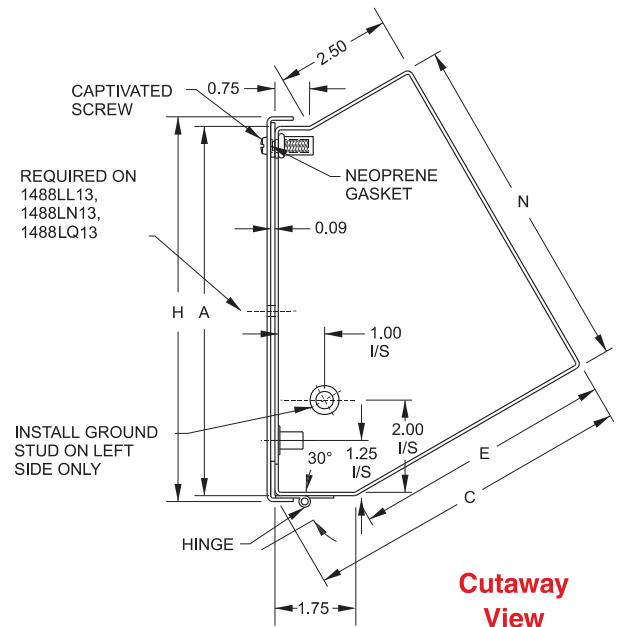
Operator Interface Enclosure

Consolet Enclosures

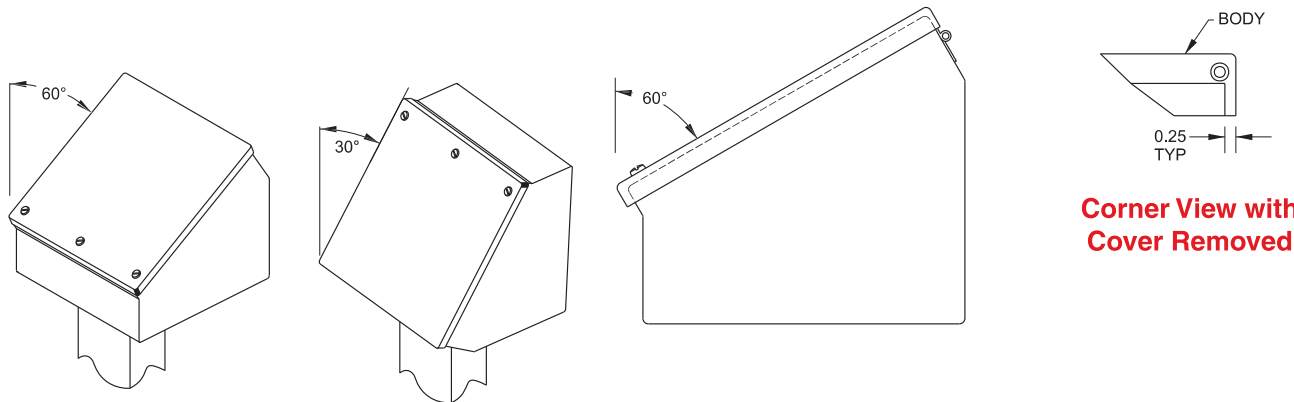


Front View

*Bracketed for 1488LL13, LN13 & LQ13



Cutaway View



Corner View with Cover Removed

Part No.	A	B	C	E	N	L	K	H	J	Ship Wt. lbs.
1488EE7	8	8	7.16	5.64	7.44	6.63	7.50	8.34	8.34	9
1488EH7	8	12	7.16	5.64	7.44	6.63	11.50	8.34	12.34	11
1488EJ7	8	16	7.16	5.64	7.44	6.63	15.50	8.34	16.34	13
1488EL7	8	20	7.16	5.64	7.44	6.63	19.50	8.34	20.34	15
1488HH9	12	12	9.16	7.64	10.90	10.63	11.50	12.34	12.34	16
1488HJ9	12	16	9.16	7.64	10.90	10.63	15.50	12.34	16.34	19
1488HL9	12	20	9.16	7.64	10.90	10.63	19.50	12.34	20.34	24
1488HN9	12	24	9.16	7.64	10.90	10.63	23.50	12.34	24.34	26
1488JJ11	16	16	11.16	9.64	14.37	14.63	15.50	16.34	16.34	26
1488JL11	16	20	11.16	9.64	14.37	14.63	19.50	16.34	20.34	30
1488JN11	16	24	11.16	9.64	14.37	14.63	23.50	16.34	24.34	39
1488JQ11	16	30	11.16	9.64	14.37	14.63	29.50	16.34	30.34	45
1488JS11	16	36	11.16	9.64	14.37	14.63	35.50	16.34	36.34	44
1488LL13	20	20	13.16	11.64	17.83	18.63	18.63	20.34	20.34	37
1488LN13	20	24	13.16	11.64	17.83	18.63	22.63	20.34	24.34	44
1488LQ13	20	30	13.16	11.64	17.83	18.63	28.63	20.34	30.34	47

Technical references and CAD downloads available at www.hammondmfg.com

All dimensions in inches unless specified otherwise

Quality Products. Service Excellence.

1471 Series Console Cabinet - NEMA 12

Sloped Front, Continuous Hinged Cover Console Cabinet

Operator Interface Enclosure



**Inner
Panel
Included**



Console Cabinets

Application

- Designed to house electrical, electronic, hydraulic or pneumatic controls and instruments.
- Heavy-duty construction provides protection from dirt, dust, oil and water.
- Sloping front control panel provides an ideal surface for mounting operator controls or instrumentation.
- Interior mounting provision on removable inner panels located on the rear and sides of the enclosure.

Standards

- UL 508 Type 12
- CSA Type 12
- **Complies with**
 - NEMA Type 12
 - IEC 60529, IP54

Construction

- Formed 14 gauge steel.
- Smooth, continuously welded seams, without knockouts, cutouts or holes.
- Sloped front instrument panel is continuously hinged on the front (bottom) edge and secured with captive panel screws, threaded into sealed wells.
- Continuously hinged door and front instrument panel may be removed by pulling the hinge pin.
- Doors are secured with a three point latch and operated with a key locking automotive type handle.
- Oil resistant gaskets are permanently secured and mechanically retained.
- Includes three removable inner panels formed from 12 gauge steel, mounted to the back and sides of the enclosure interior.
- Collar studs are provided for mounting inner panels.
- A bonding stud is provided on the door and a grounding stud is provided in the enclosure for each door.
- A literature pocket is provided for the inside of the door.

Finish

- Cover and enclosure are phosphatized and finished in ANSI 61 gray powder coating on the outside and on the inside.
- Removable inner panels are finished in white powder coating.

Accessories

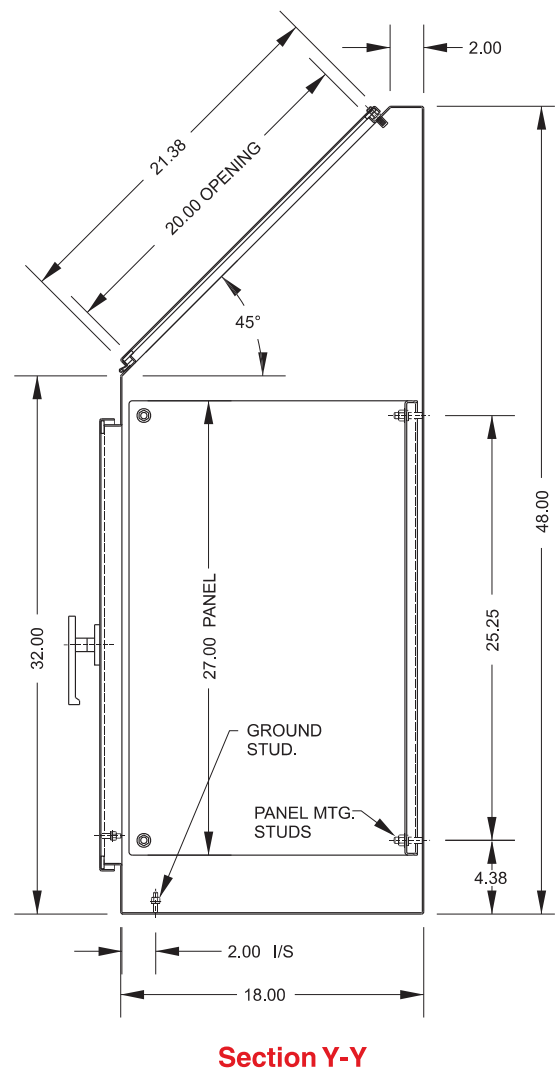
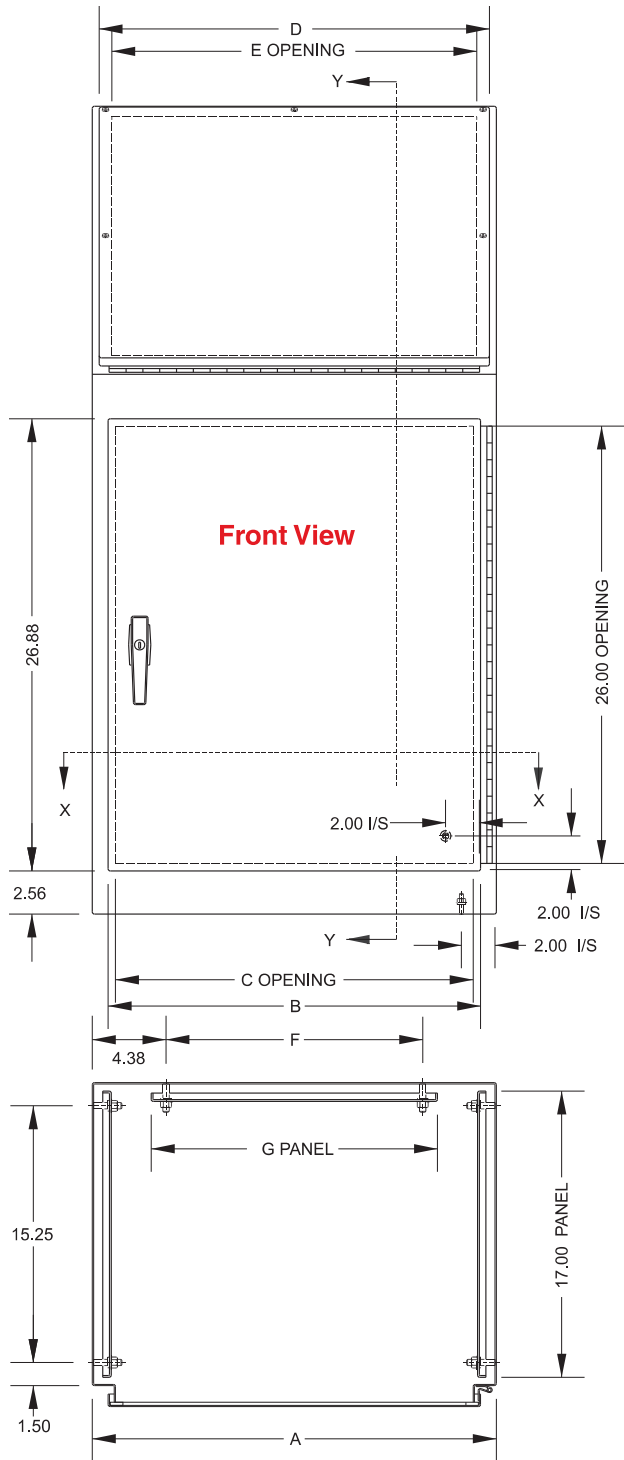
- Air conditioners...*see page 349-367*
- Casters...*see page 455*
- Door stop kit...*see page 453*
- Heaters...*see page 393-396*
- Lock kit...*see page 431*
- Louvered ventilating plates...*see page 402*
- Window kits...*see page 449*

1471 Series Console Cabinet - NEMA 12

Sloped Front, Continuous Hinged Cover Console Cabinet

Operator Interface Enclosure

Console Cabinets



Section X-X

Section Y-Y

Part No.	A	B	C	D	E	F	G	Ship Wt. lbs.
1471C24	24	22.13	21.25	23.18	21.69	15.25	17	165
1471C36	36	34.13	33.25	35.18	33.68	27.25	29	210

Technical references and CAD downloads available at www.hammondmfg.com

All dimensions in inches unless specified otherwise

Quality Products. Service Excellence.

Eclipse Command System - NEMA 12

Command Enclosure

Operator Interface Enclosure



Note: Shown with optional red handle

Panel
Sold
Separately



Application

- Designed to enclose electronic controls, instruments and components in indoor environments where dirt, dust, oil and water may be present.
- Ideal for use with suspension systems.
- Multiple mounting provisions and full front mounting space provide for ideal operator interface.
- Smooth flush surfaces and attractive finishes compliment high tech equipment.

Standards

- UL 508 type 12
- CSA type 12
- **Complies with**
 - NEMA Type 12 and 13
 - IEC 60529 IP54

Construction

- Formed from 16 gauge steel.
- Smooth, continuously welded seams ground smooth.
- Door stiffeners are designed to also permit additional mounting options.
- Formed lip on enclosure to exclude flowing liquids and contaminants.
- Reversible rear door is secured with slotted quarter turn fasteners.
- Door frames have zinc die-cast corners with extrusion pressed aluminum profiles.
- Door front panels are 3mm aluminum.
- Oil resistant gaskets are permanently secured.
- Bonding stud provided on door and grounding stud installed in enclosure.
- Quarter turn latches formed from mild steel.
- Formed steel hinge with stainless steel hinge pins.
- Fastening is recommended with optional Tara Plus or 50/80 suspension systems
...see page **239-250**
- Optional red handle easily mounts horizontally to bottom of enclosure front frame. Order separately
...see page **238**
- Heavy duty re-inforcing plate included.

Finish

- Finished in RAL 7040 gray powder coating.
- Door panel is natural aluminum.

Accessories

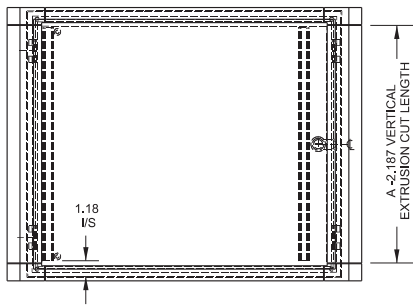
- Tara Plus suspension system
...see page **239-244**
- 50 mm heavy duty suspension system...see page **245-250**
- 80 mm heavy duty suspension system...see page **245-250**
- Inner panels...see next page

Suspension System

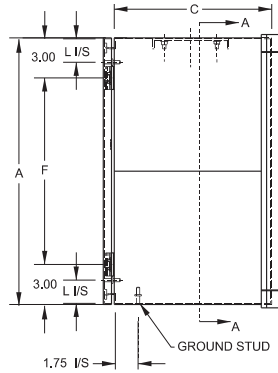
Eclipse Command System - NEMA 12

Command Enclosure

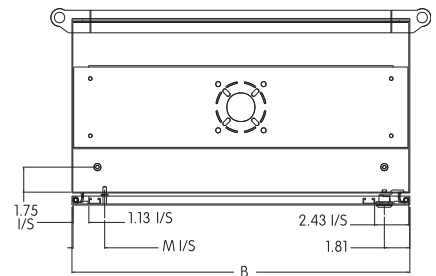
Operator Interface Enclosure



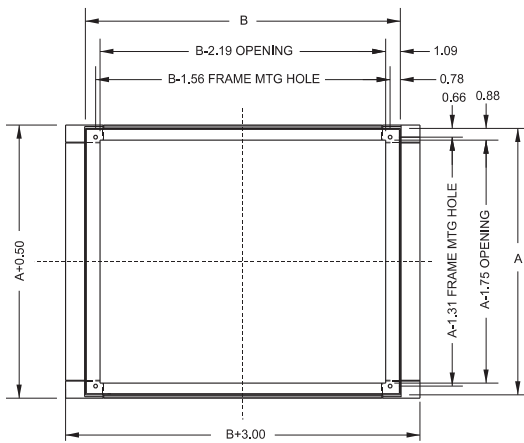
Front View



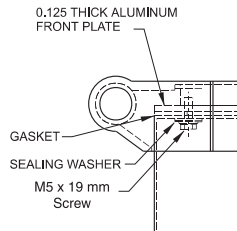
Side View - Hinge Side



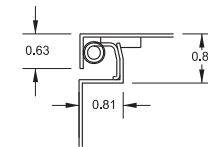
End View Section



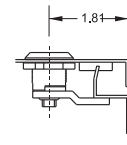
Section A-A



Corner Detail
Typ. 4 Places



Cross Section of 16 Gauge Body and Door

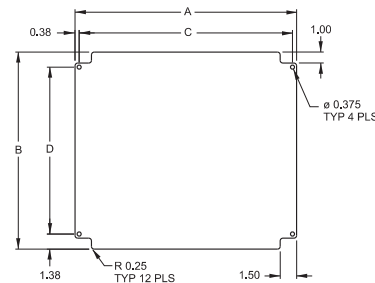


Lock Section

Part No.	Overall Dimensions						Optional Handle Part No.	Optional Panel Part No.	Ship Wt. lbs.
	A	B	C	F	L	M			
ECP12126	12	12	6	6.0	1.50	2.25	ECPH12	ECPP1212	17
ECP12168	12	16	8	6.0	1.50	2.25	ECPH16	ECPP1216	21
ECP161610	16	16	10	10.0	1.50	2.25	ECPH16	ECPP1616	29
ECP162010	16	20	10	10.0	1.50	2.25	ECPH20	ECPP1620	32
ECP20246	20	24	6	14.0	1.50	2.25	ECPH24	ECPP2024	34
ECP202412	20	24	12	14.0	1.50	2.25	ECPH24	ECPP2024	43

Optional Inner Panel

- Panel mounts on the rear door of command enclosures.
- Unfinished aluminum is 0.08" thick.



Part No.	A	B	C	D
ECPP1212	8.25	10.00	7.50	7.25
ECPP1216	12.25	10.00	11.50	7.25
ECPP1616	12.25	14.00	11.50	11.25
ECPP1620	16.25	14.00	15.50	11.25
ECPP2024	20.25	18.00	19.50	15.25

Optional Handle

- Easily mounts horizontally to bottom of enclosure front frame.
- Finished in red.



Part No.	Fits Enclosure
ECPH12	ECP12126
ECPH16	ECP12168, ECP161610
ECPH20	ECP1620
ECPH24	ECP202412, ECP20246

Suspension System

Technical references and CAD downloads available at www.hammondmfg.com

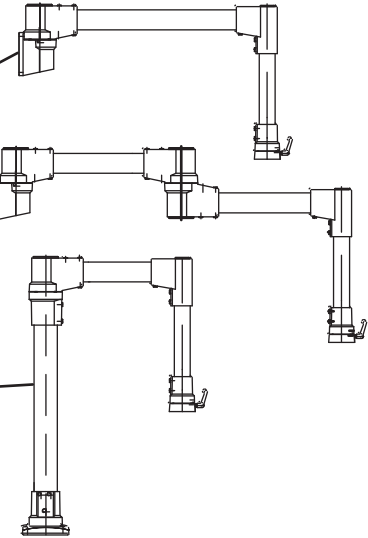
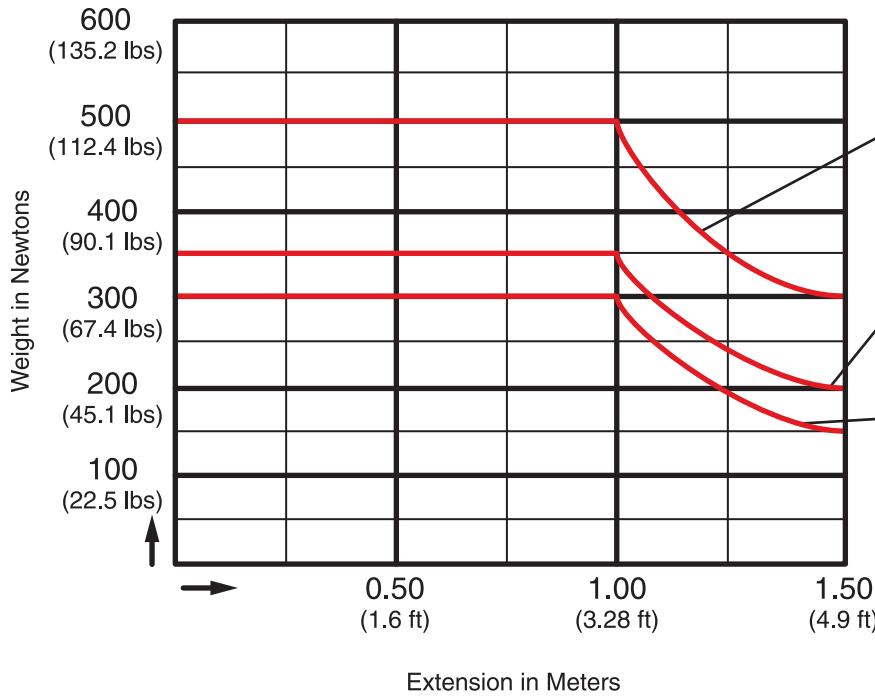
All dimensions in inches unless specified otherwise

Quality Products. Service Excellence.

Suspension Systems - NEMA 12, 13

Tara Plus Suspension System

Operator Interface Enclosure



Measurement Conversions

1 kg = 9.81 N **1 lb = 4.44 N**
 e.g. 500 Newtons = 51 kg = 112.4 lbs
 300 Newtons = 30.6 kg = 67.4 lbs
 100 Newtons = 10.2 kg = 22.5 lbs
1 foot = 0.305 m

Suspension System

Application

- Taraplus enclosure suspension systems are designed for light and medium loads.
- The strength of tube and cast fittings provide a highly flexible robust system.

Standards

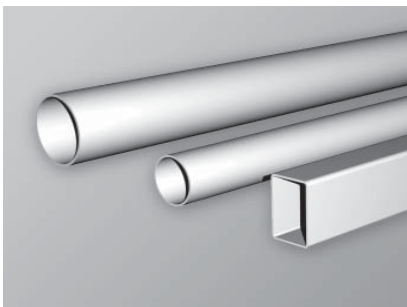
- **Complies with**
 - IEC 60529 IP54

Construction

- Enclosure coupling and elbow coupling fittings are die-cast from G AL SI 12 aluminum.
- Suspension tubing is steel.

Finish

- Fittings are finished in RAL 7040 window gray.
- Suspension tubing is RAL 7035 light gray.



Suspension Tube

Part No.	Outside mm	Inside mm	Tolerance	Length		Ship Wt. lbs
				Metres	Feet	
Round Tubes						
R144-301-000	48	42	±0.25	1	3.28	10
R144-321-000	70	62	±0.25	1	3.28	25
R144-321-500	70	62	±0.25	1.5	4.92	38
Rectangular Tubes						
R144-311-000	60 x 40	54 x 34	±0.50	1	3.28	13
R144-311-500	60 x 40	54 x 34	±0.50	1.5	4.92	26

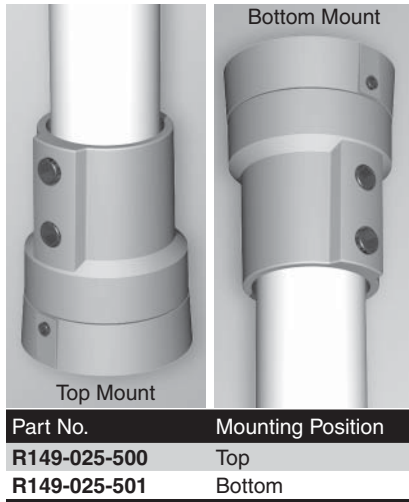
Technical references and CAD downloads available at www.hammondmfg.com

All dimensions in inches unless specified otherwise

Suspension Systems - NEMA 12, 13

Tara Plus Suspension System

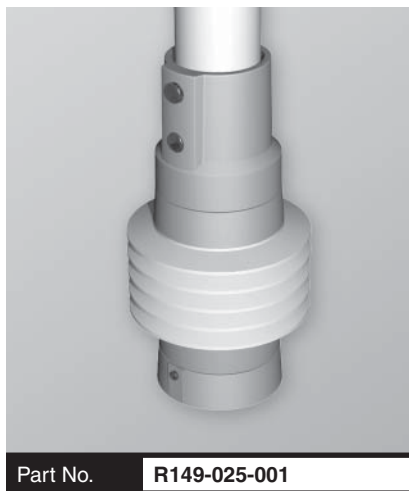
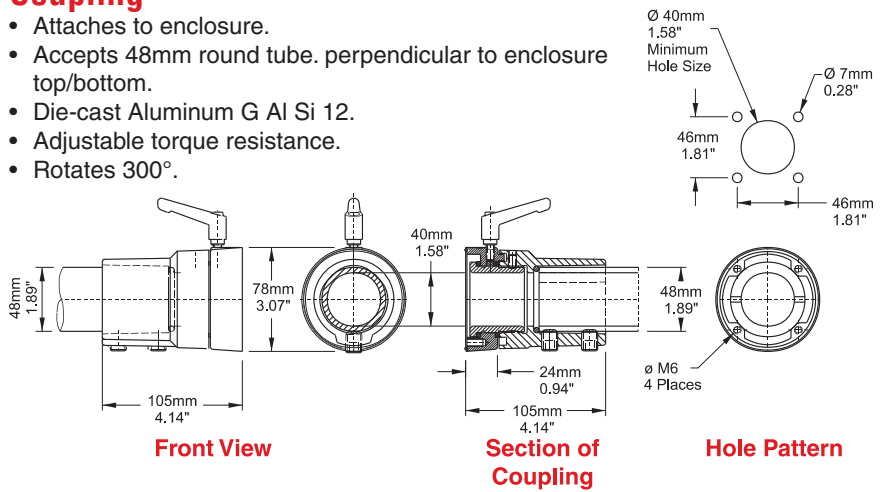
Operator Interface Enclosure



Part No.	Mounting Position
R149-025-500	Top
R149-025-501	Bottom

Coupling

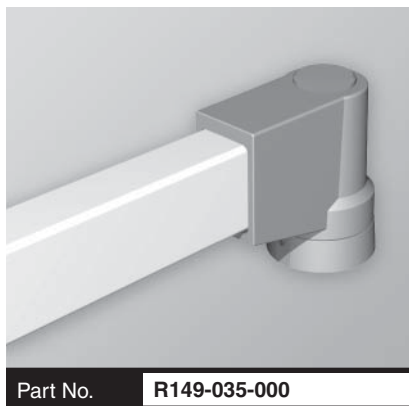
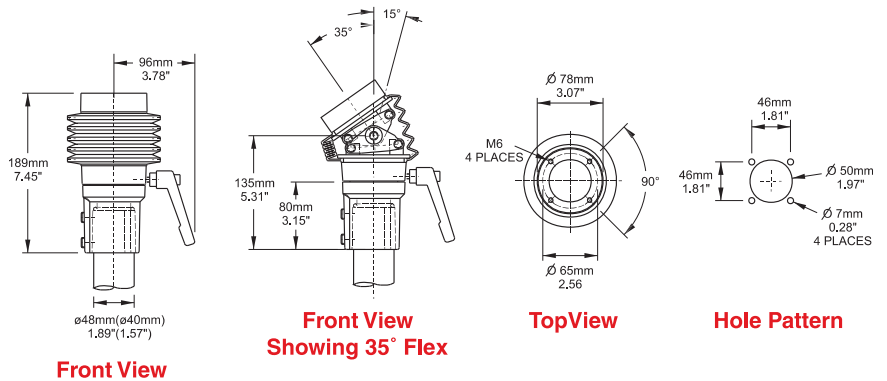
- Attaches to enclosure.
- Accepts 48mm round tube, perpendicular to enclosure top/bottom.
- Die-cast Aluminum G Al Si 12.
- Adjustable torque resistance.
- Rotates 300°.



Part No.	R149-025-001
----------	--------------

Tilt Coupling

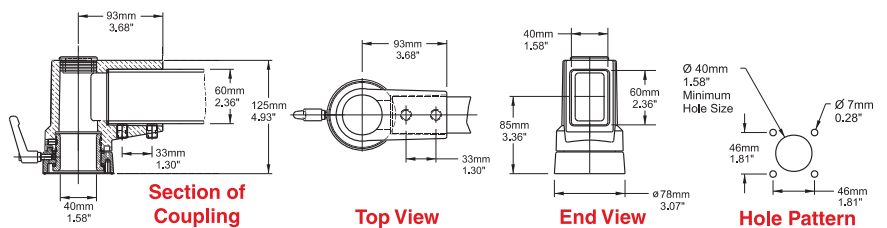
- Attaches to enclosure.
- Accepts 48mm round tube perpendicular to enclosure top/bottom.
- Die-cast Aluminum G Al Si 12.
- Rotates 300°.
- Features an adjustable tilt mechanism up to 35°.



Part No.	R149-035-000
----------	--------------

Elbow Coupling

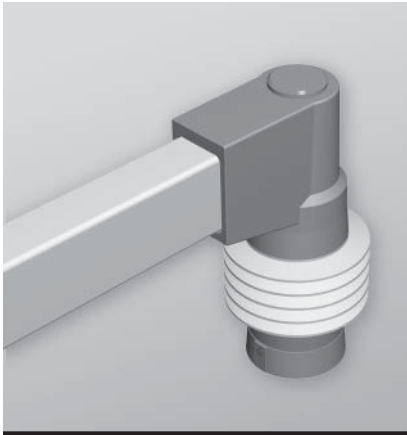
- Attaches to enclosure.
- Accepts 60x40mm rectangular tube parallel to enclosure top/bottom.
- Die-cast Aluminum G Al Si 12.
- Adjustable torque resistance.
- Rotates 300°.
- Accessible from the top.



Suspension System

Suspension Systems - NEMA 12, 13

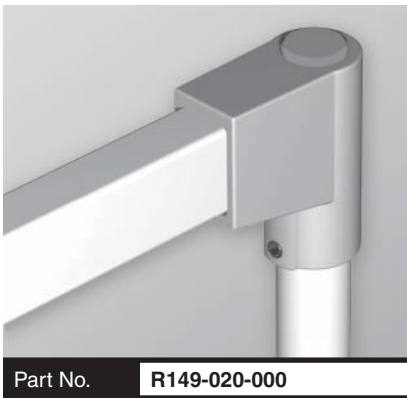
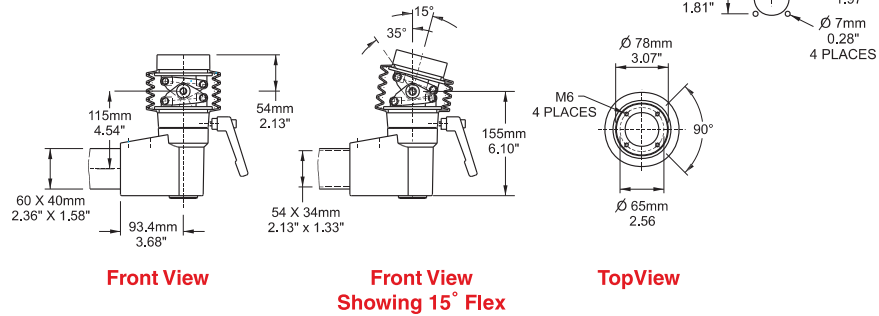
Tara Plus Suspension System



Part No. **R149-035-001**

Tilt Elbow Coupling

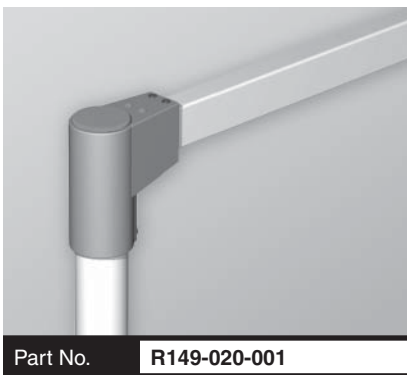
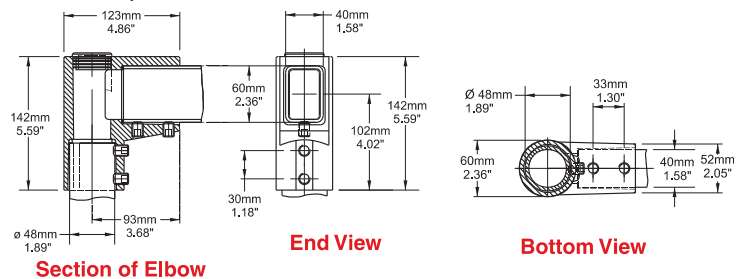
- Attaches to enclosure.
- Accepts 60x40mm rectangular tube parallel to enclosure top/bottom.
- Die-cast Aluminum G Al Si 12.
- Rotates 300°.
- Features an adjustable tilt mechanism up to 35°.



Part No. **R149-020-000**

Fixed Elbow 48

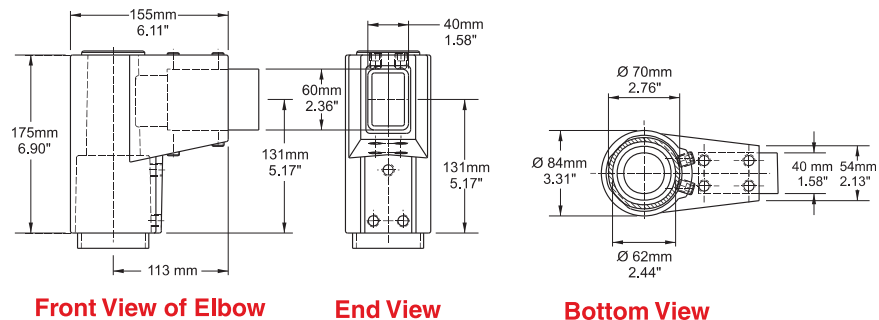
- For use with 48mm round tube and 60x40mm rectangular tube.
- Vertical 48mm tube connection for use with Couplings only (not Base 48).
- Die-cast Aluminum G Al Si 12.
- Large cover opening for easier cable pull through.
- No rotation.
- Accessible from the top.



Part No. **R149-020-001**

Fixed Elbow 70

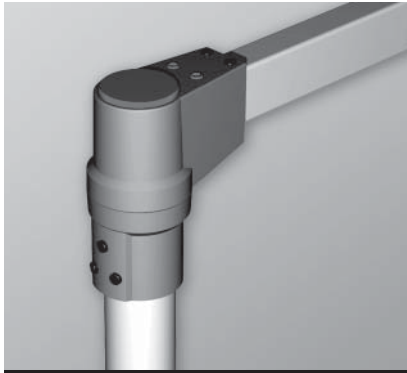
- For use with 70mm round tube and 60x40mm rectangular tube.
- Die-cast Aluminum G Al Si 12.
- No rotation.
- Accessible from the top.



Suspension Systems - NEMA 12, 13

Tara Plus Suspension System

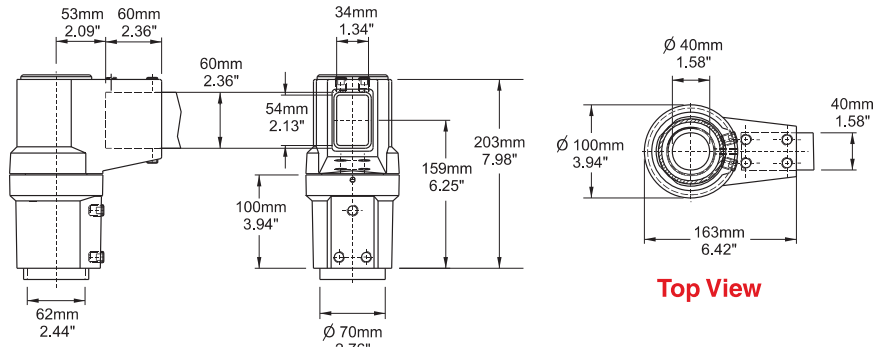
Operator Interface Enclosure



Part No. **R149-040-000**

Rotating Elbow

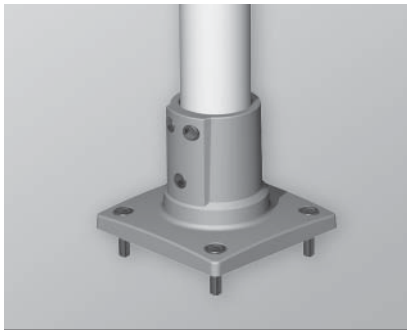
- For use with 70mm round tube and 60x40mm rectangular tube.
- Die-cast Aluminum G Al Si 12.
- Rotates 300°.
- Accessible from the top.



Front View

End View

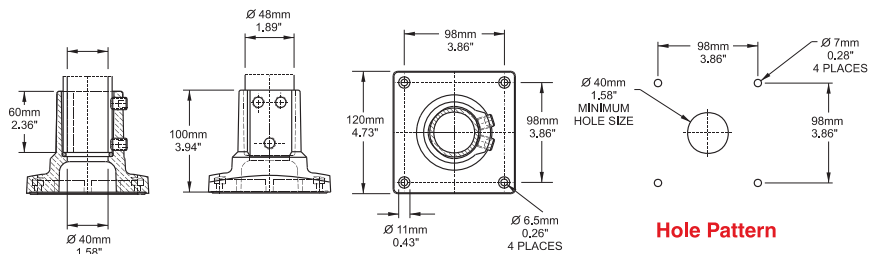
Top View



Part No. **R149-030-000**

Base 48

- For use with 48mm round tube.
- Not for use with any horizontal configurations.
- Compatible with tube up or tube down configurations.
- Die-cast Aluminum G Al Si 12.
- No rotation.

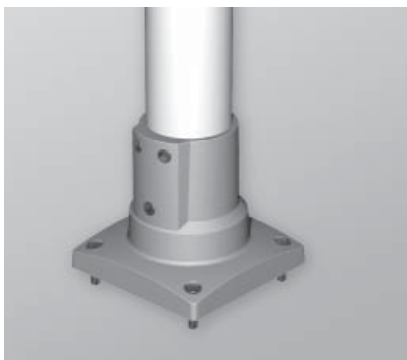


Front Section of Base

End View

Top View

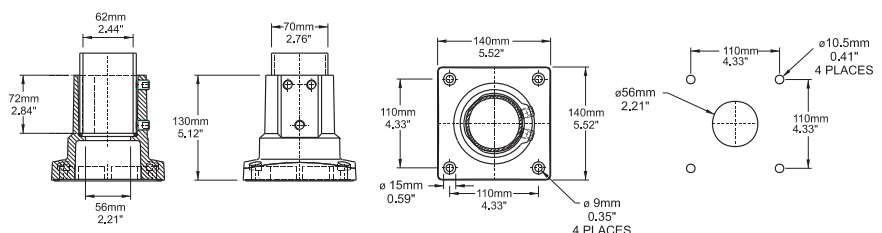
Hole Pattern



Part No. **R149-030-001**

Base 70

- For use with 70 mm tube.
- Compatible with all vertical and horizontal configurations.
- Compatible with tube up or tube down configurations.
- Die-cast Aluminum G Al Si 12.
- No rotation.



Front Section of Base

End View

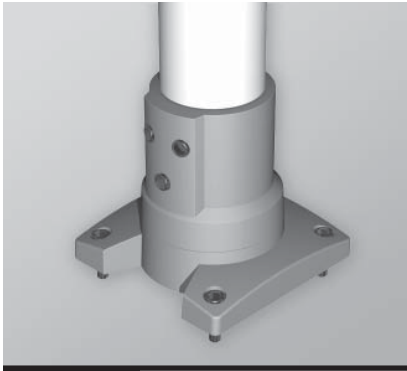
Top View

Hole Pattern

Suspension System

Suspension Systems - NEMA 12, 13

Tara Plus Suspension System

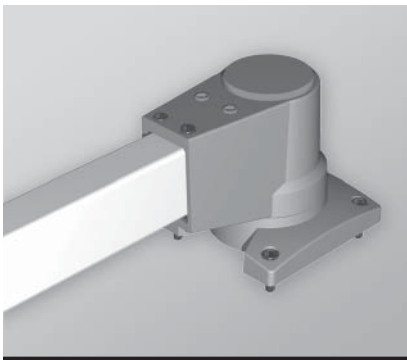
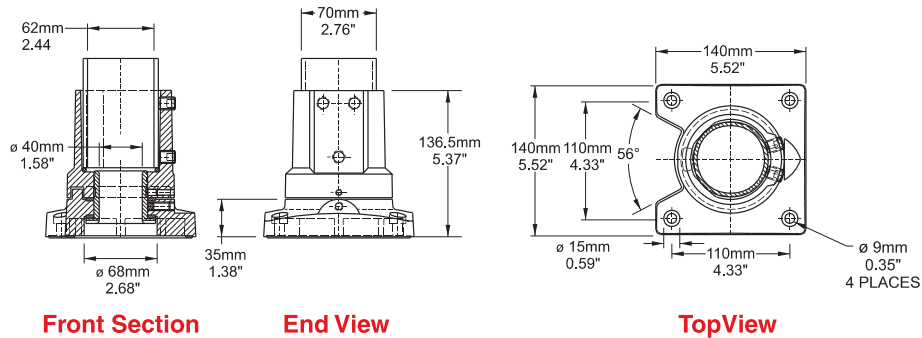
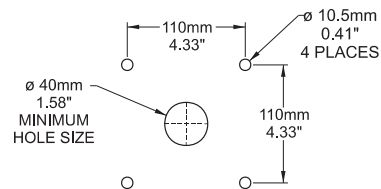


Part No. **R149-005-001**

Rotating Base 70

- For use with 70 mm tube.
- Compatible with all vertical and horizontal configurations.
- Compatible with tube up or tube down configurations.
- Die-cast Aluminum G Al Si 12.
- Rotates 300°.
- Integrated movement stop.
- Service free bearings.

Hole Pattern

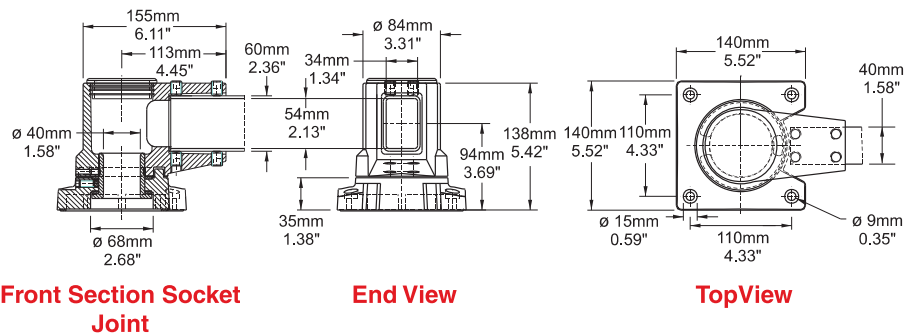
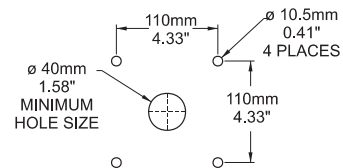


Part No. **R149-005-000**

Socket Joint

- Accepts 60x40mm rectangular tube parallel to its mounting surface.
- Die-cast Aluminum G Al Si 12.
- Integrated movement stop.
- Service free bearings.
- Rotates 300°.
- Adjustment screws (red screws).
- Accessible from the top.

Hole Pattern

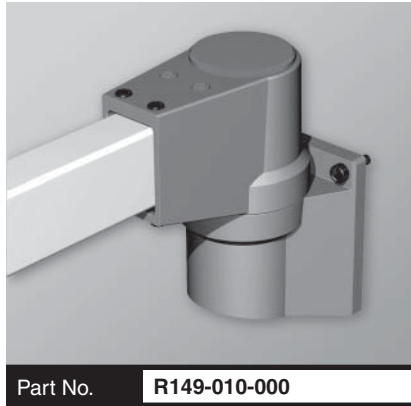


Technical references and CAD downloads available at www.hammondmfg.com

All dimensions in inches unless specified otherwise

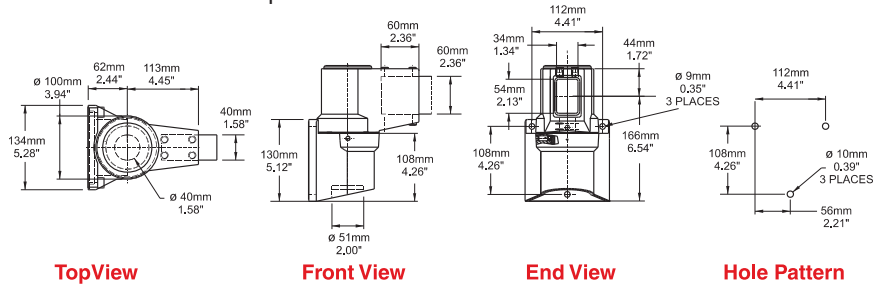
Suspension Systems - NEMA 12, 13

Tara Plus Suspension System

Operator Interface Enclosure

Part No. R149-010-000

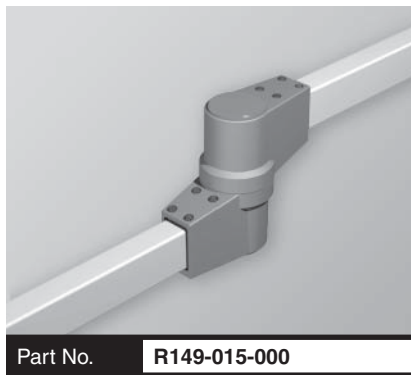
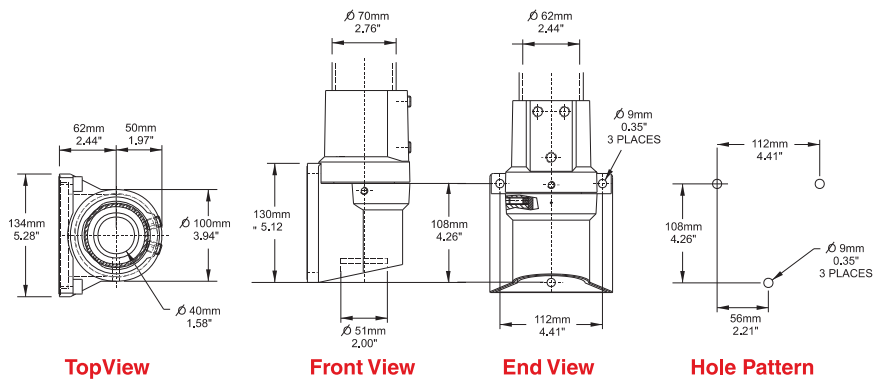
Wall Joint

- Accepts 60x40mm rectangular tube perpendicular to its mounting surface.
- Die-cast Aluminum G Al Si 12.
- Rotates 186°.
- Accessible from the top.


Part No. R149-010-001

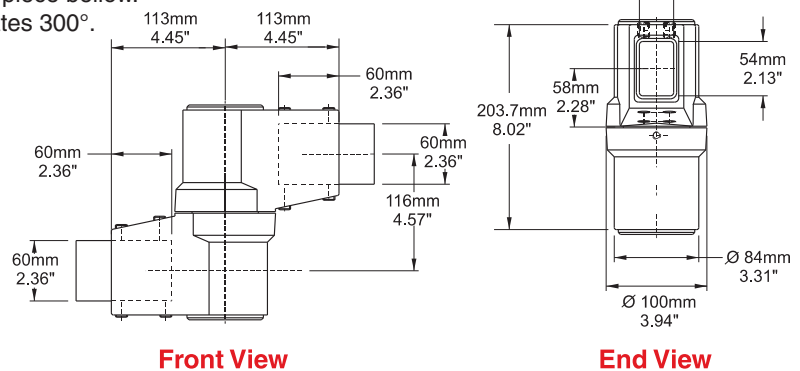
Vertical Wall Joint

- Accepts 70mm tube parallel to its mounting surface.
- Die-cast Aluminum G Al Si 12.
- Rotates 316°.


Part No. R149-015-000

Intermediate Joint

- Accepts 60x40mm rectangular tube.
- Die-cast Aluminum G Al Si 12.
- Integrated movement stop.
- One piece bellow.
- Rotates 300°.


Suspension System

 Technical references and CAD downloads available at www.hammondmfg.com

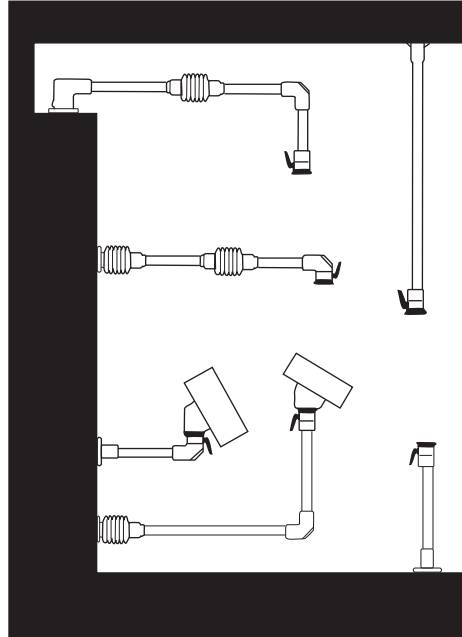
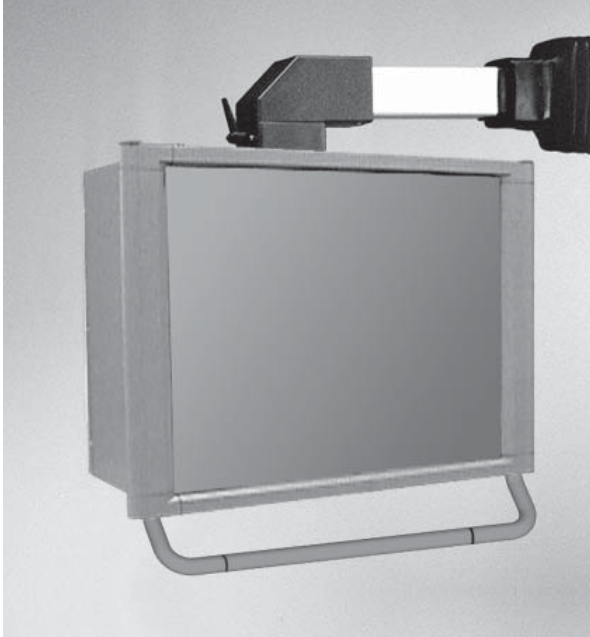
All dimensions in inches unless specified otherwise

Quality Products. Service Excellence.

Suspension Systems - NEMA 12, 13

Heavy Duty 50 mm or 80 mm

Operator Interface Enclosure



Application

- Command 50mm and 80mm enclosure suspension systems are designed for medium and heavy loads.
- The strength of square tube and cast fittings provide a highly flexible, robust system.

Standards

- **Complies with**
 - IEC 60529, IP 54

Construction

- Enclosure coupling and elbow coupling fittings are die-cast from G Al Si 12 aluminum.
- All other fittings are die-cast 4G-s.g. iron.
- Suspension tubing is steel.

Finish

- Fittings are finished in RAL 7040 window gray powder coating.
- Suspension tubing is RAL 7035 light gray powder coating.

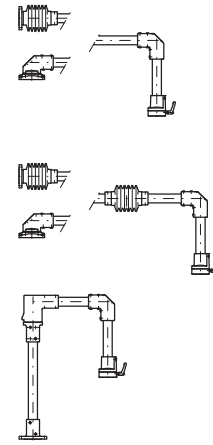
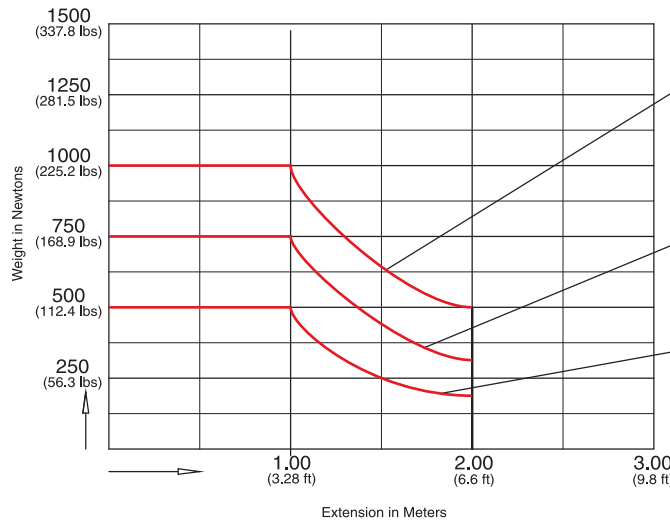
Suspension System

Suspension Systems - NEMA 12, 13

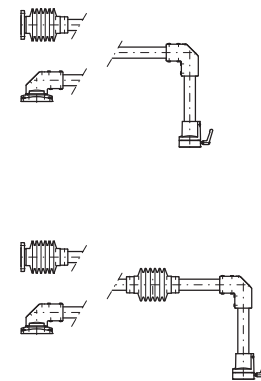
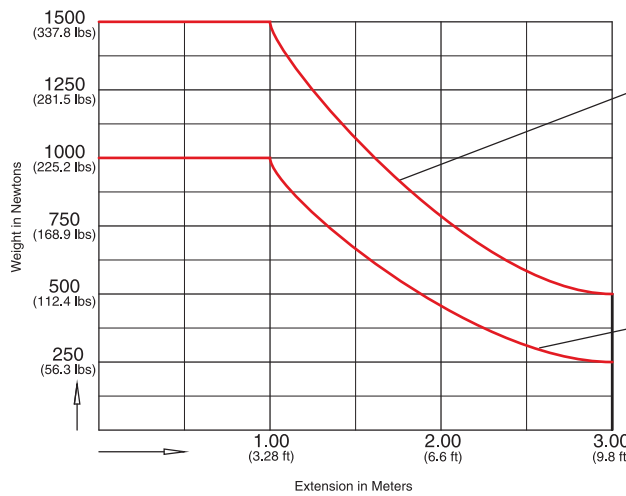
Heavy Duty 50 mm or 80 mm

Operator Interface Enclosure

Load Capacity for 50mm



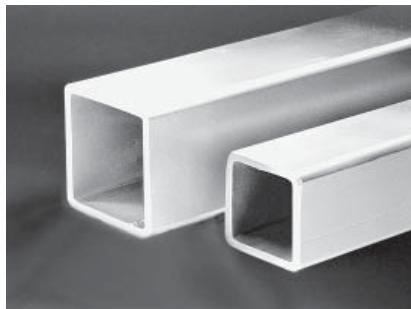
Load Capacity for 80mm



Measurement Conversions

1 kg = 9.81 N **1 lb = 4.44 N**
 e.g. 500 Newtons = 51 kg = 112.4 lbs
 300 Newtons = 30.6 kg = 67.4 lbs
 100 Newtons = 10.2 kg = 22.5 lbs
1 foot = 0.305 m

Suspension System



Suspension Tube

Part No.	Outside mm	Inside mm	Tolerance	Length		Ship Wt. lbs
				Metres	Feet	
R144-021-000R	50	40	±0.5	1	3.28	17
R144-022-000R	Square			2	6.56	26
R144-041-000R	80	70	±0.6	1	3.28	21
R144-042-000R	Square			2	6.56	33

Technical references and CAD downloads available at www.hammondmfg.com

All dimensions in inches unless specified otherwise

Quality Products. Service Excellence.

Suspension Systems - NEMA 12, 13

Heavy Duty 50 mm or 80 mm Components

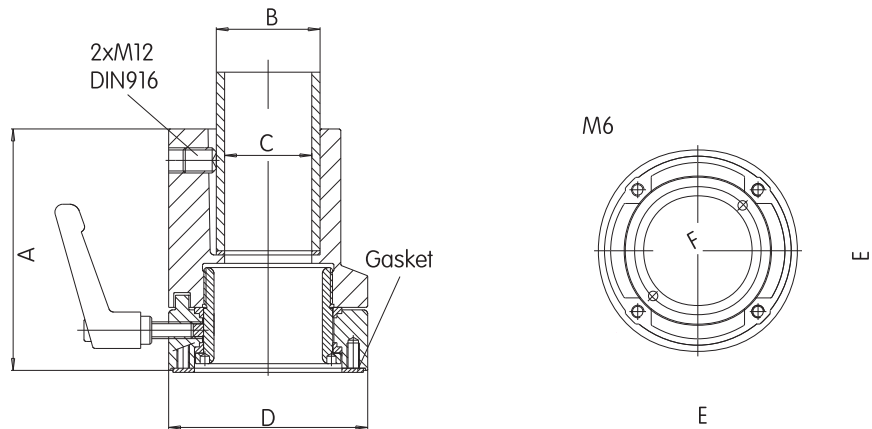
Operator Interface Enclosure



Enclosure Coupling

- Cast aluminum.
- Large thrust flange.
- Fastens with 4 hex socket screws.
- Adjustable torque resistance.
- Features a rotation range of 300°.

Part No.	System	A	B	C	D	E	F	Ship Wt. lbs.
R147-025-000R	in	50	4.53	1.97	1.65	3.78	2.28	2.06
	mm		115	50	42	96	58	52.3
R147-025-200R	in	80	5.71	3.15	2.83	5.47	3.42	3.35
	mm		145	80	72	139	87	85



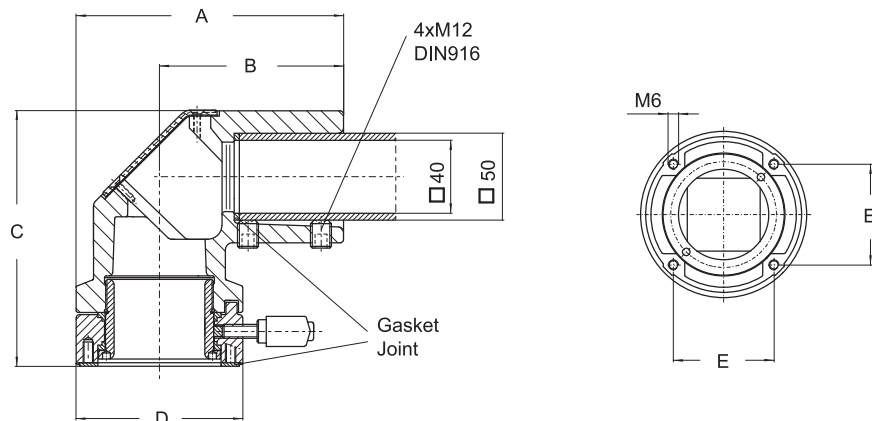
Suspension System



Elbow Coupling

- Cast Aluminum
- Large thrust flange.
- Fastens with 4 hex socket screws.
- Adjustable torque resistance.
- Features a rotation range of 300°.

Part No.	System	A	B	C	D	E	Ship Wt. lbs.
R147-035-000R	in	50	6.06	4.17	5.79	3.78	2.28
	mm		154	106	147	96	58
R147-035-200R	in	80	8.21	5.47	7.48	5.47	3.43
	mm		208.5	139	190	139	87



Suspension Systems - NEMA 12, 13

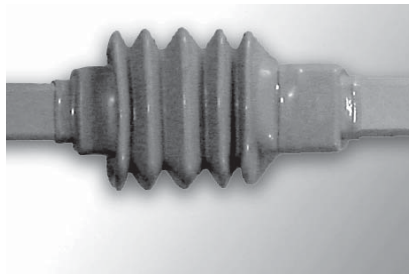
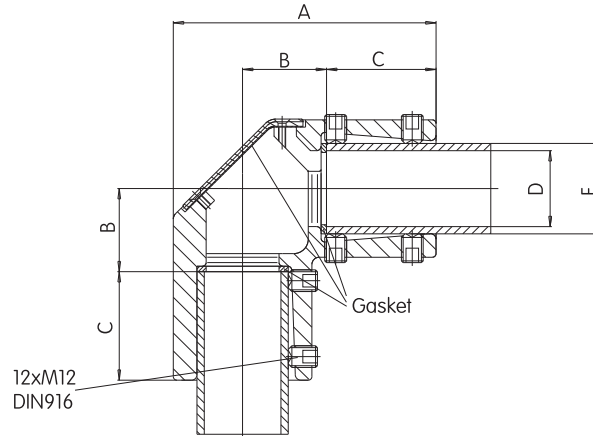
Heavy Duty 50 mm or 80 mm Components

Operator Interface Enclosure


Elbow

- Cast Aluminum
- Large cover opening for easier cable pull through.

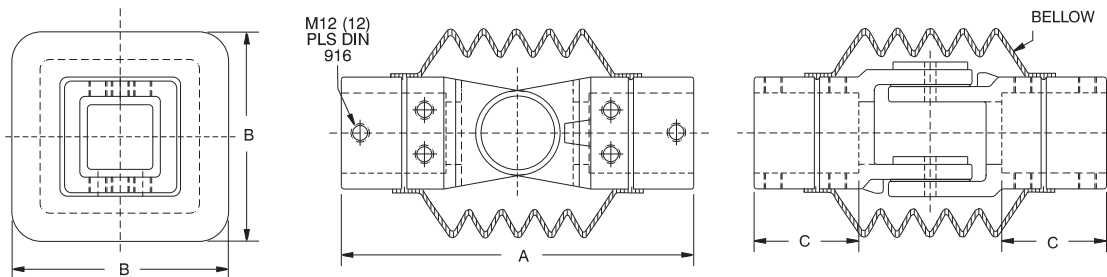
Part No.	System	A	B	C	D	E	Ship Wt. lbs.	
R147-020-000R	in	50	5.67	1.81	2.36	1.57	1.97	3
	mm		144	46	60	40	50	
R147-020-200R	in	80	7.60	2.20	3.27	2.76	3.15	6
	mm		193	56	83	70	80	



Intermediate Joint

- 4G-s.g. cast iron.
- Integrated movement stop.
- One piece bellow.
- Two sleeves.
- Features a rotation range of 170°.

Part No.	System	A	B	C	Ship Wt. lbs.	
R147-015-000R	in	50	9.29	5.83	2.76	9
	mm		236	148	70	
R147-015-200R	in	80	12.60	7.48	3.70	24
	mm		320	190	94	


Suspension System

 Technical references and CAD downloads available at www.hammondmfg.com

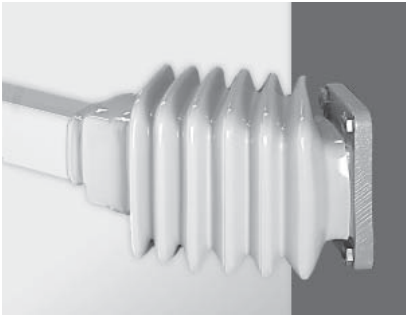
All dimensions in inches unless specified otherwise

Quality Products. Service Excellence.

Suspension Systems - NEMA 12, 13

Heavy Duty 50 mm or 80 mm Components

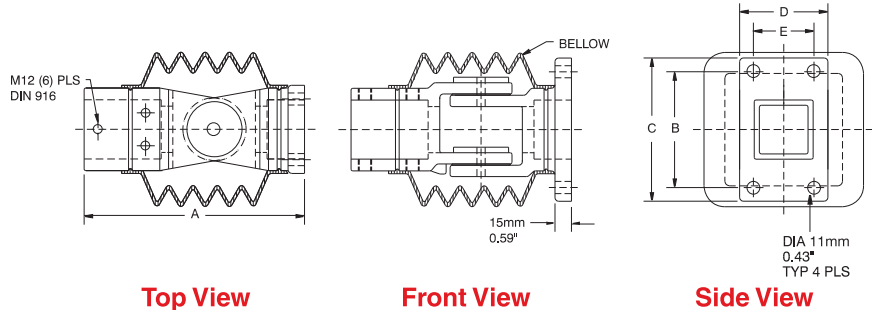
Operator Interface Enclosure



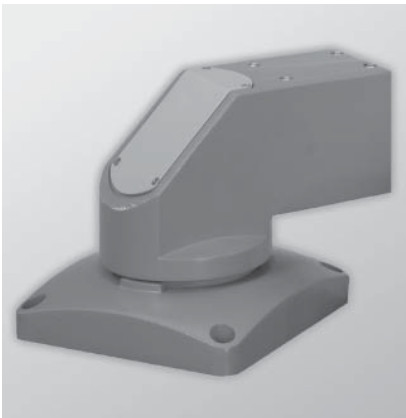
Wall Joint

- 4G-s.g. cast iron.
- Integrated movement stop.
- One piece bellow.
- Two sleeves.
- Features a rotation range of 170°.

Part No.	System	A	B	C	D	E	Ship Wt. lbs.
R147-010-000R	in	50	8.27	4.13	5.12	3.15	2.17
	mm		210	105	130	80	55
R147-010-200R	in	80	10.83	5.91	6.89	4.53	3.54
	mm		275	150	175	115	90



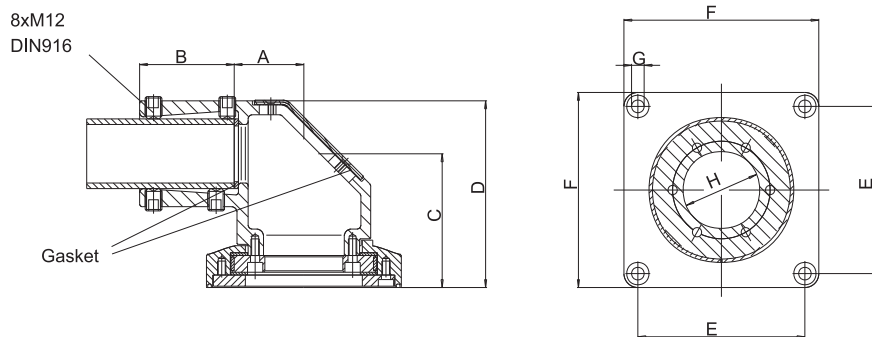
Suspension System



Socket Joint

- Cast Aluminum.
- Integrated movement stop.
- Service free bearings.
- Features a rotation range of 300°.
- Can mount on top of machine or inverted.

Part No.	System	A	B	C	D	E	F	G	H	Ship Wt. lbs.
R147-005-000R	in	50	1.97	2.68	3.78	5.28	4.72	5.51	.35	2.17
	mm		50	68	96	134	120	140	9	55
R147-005-200R	in	80	2.91	3.86	5.57	7.70	7.09	8.27	.51	3.30
	mm		74	98	141.5	195.5	180	210	13	84



Suspension Systems - NEMA 12, 13 Heavy Duty 50 mm or 80 mm Components

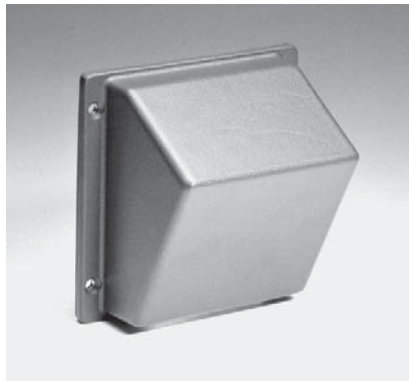
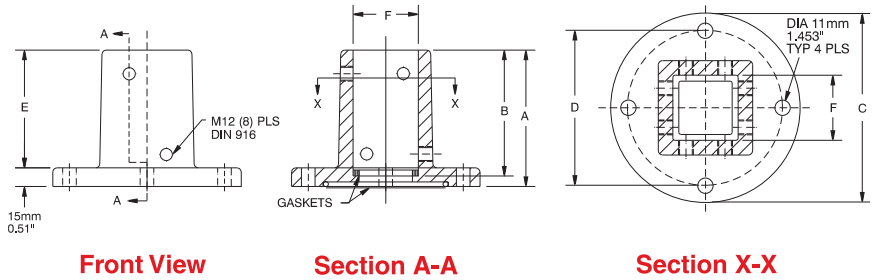
Operator Interface Enclosure



Cast Iron Base

- 4G-s.g. cast iron.
- Gasket included.
- Does not rotate.

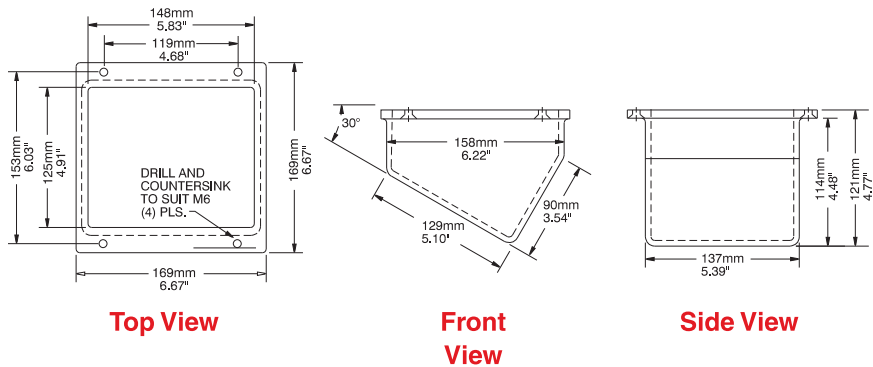
Part No.	System	A	B	C	D	E	F	Ship Wt. lbs.
R147-030-000R	in	50	4.33	3.94	5.98	4.92	3.74	1.97
	mm		110	100	152	125	95	50
R147-030-200R	in	80	5.51	5.12	7.87	6.81	4.92	3.15
	mm		140	130	200	173	125	80



Slope Adaptor

- Provides 30° or 60° incline by mounting to rear of enclosure.
- Cast aluminum.

Part No.	Ship Wt. lbs.
R140-045-000R	8

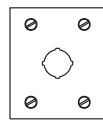


Suspension System

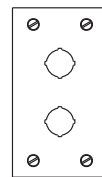
Pushbutton Enclosures - NEMA 12, 13

Miniature Pushbutton MPB Series

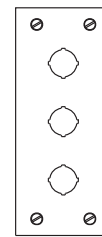
Operator Interface Enclosure



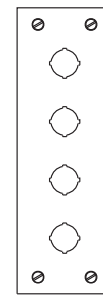
MPB1



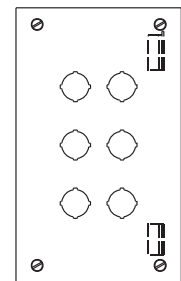
MPB2



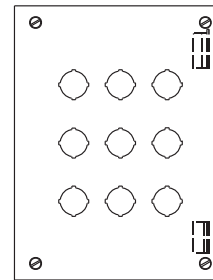
MPB3



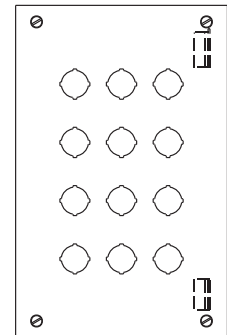
MPB4



MPB6



MPB9



MPB12

Application

- Designed to accept 22mm miniature oil tight pushbuttons, switches and pilot lights.
- Provides protection from dirt, dust, oil and water.

Standards

- UL 508 Type 12 and 13
- CSA Type 12 and 13
- **Complies with**
 - NEMA Type 12 and 13
 - JIC EMP-1-1967
 - JIC EGP-1-1967
 - IEC 60529, IP54
- Appropriate components are required to maintain these standards.

Construction

- Formed 14 gauge steel except the MPB1 which is 16 gauge.
- Smooth continuously welded seams.
- Welded brackets provide for enclosure mounting.
- Captive cover screws thread into sealed wells.
- Larger enclosures provide internally hinged removable covers, designed to hold the cover open during wiring (see table).
- Oil resistant gasket and adhesive.
- A bonding stud is provided on the door and a grounding stud is provided on the enclosure.

Finish

- Cover and enclosure are phosphatized and finished in ANSI 61 gray powder coating.

Accessories

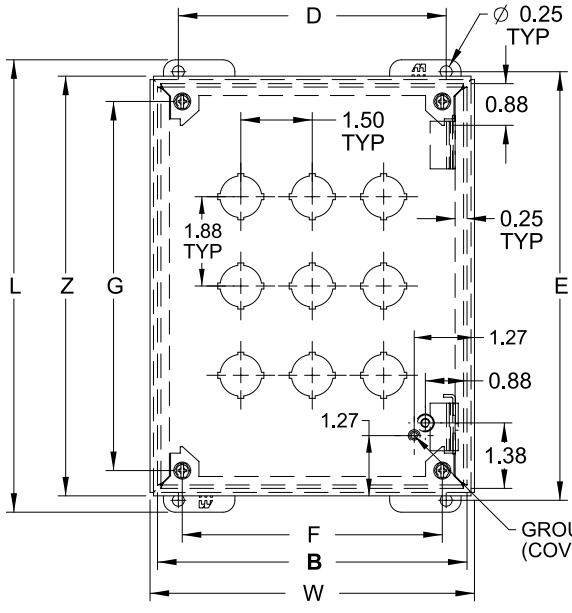
- Hole plugs...see page [435](#)
- Pedestals...see page [454](#)

Pushbutton Enclosures

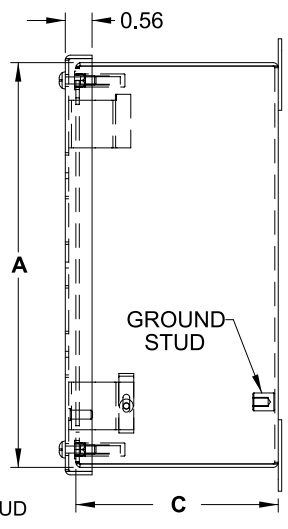
Pushbutton Enclosures - NEMA 12, 13

Miniature Pushbutton MPB Series

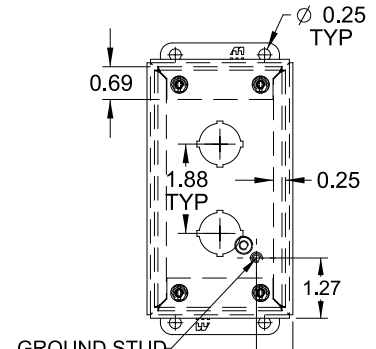
Operator Interface Enclosure



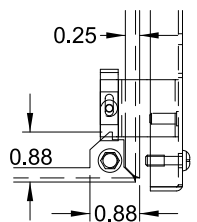
Front View
Body Type MPB6 through MPB12
(Hinged)



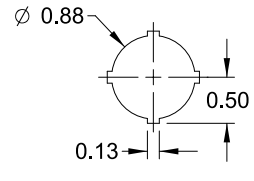
Side View



Front View
Body Type MPB1 through MPB4
(Not Hinged)



Hinge Detail
Retractable pin allows door to be mounted on left or right side



22.5mm Detail

Pushbutton Enclosures

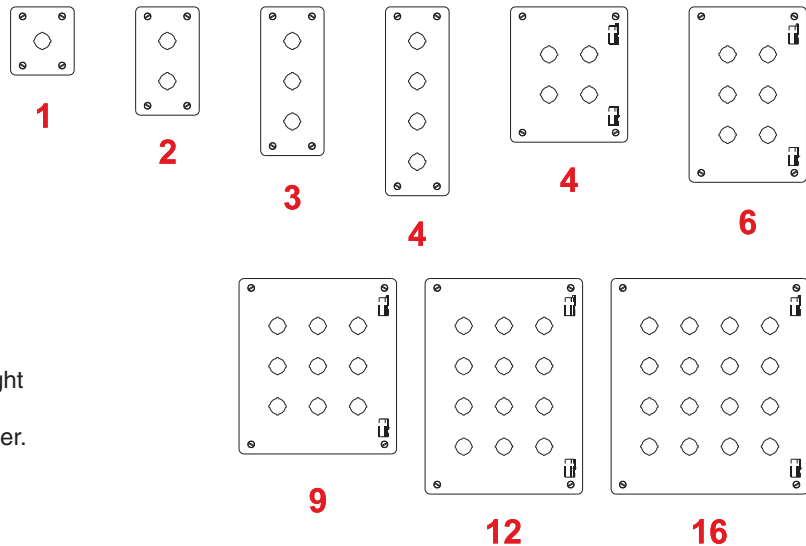
Part No.	No. of Holes	Overall Dimensions										Ship Wt. lbs.
		A	B	C	D	E	F	G	L	W	Z	
MPB1 ¹	1	3.25	2.75	3.50	1.88	3.75	1.71	2.50	4.25	3.06	3.56	2
MPB2 ¹	2	5.13	2.75	3.50	1.88	5.63	1.71	4.38	6.13	3.06	5.44	3
MPB3 ¹	3	7.00	2.75	3.50	1.88	7.50	1.71	6.25	8.00	3.06	7.31	3
MPB4 ¹	4	8.88	2.75	3.50	1.88	9.38	1.71	8.13	9.88	3.06	9.19	4
MPB6	6	8.50	5.00	4.25	4.13	9.00	3.96	7.75	9.50	5.31	8.81	5
MPB9	9	8.50	6.50	4.25	5.63	9.00	5.46	7.75	9.50	6.81	8.81	6
MPB12	12	10.38	6.50	4.25	5.63	10.88	5.46	9.63	11.38	6.81	10.69	6

¹ Not hinged

Pushbutton Enclosures - NEMA 12, 13

1435/1435M Series

Operator Interface Enclosure



Application

- Designed to accept standard heavy duty oil tight pushbuttons, switches and pilot lights.
- Provides protection from dirt, dust, oil and water.

Standards

- UL 508 Type 12 and 13
- CSA Type 12 and 13
- **Complies with**
 - NEMA Type 12 and 13
 - JIC standard EGP-1-1967
 - IEC 60529, IP54
- Appropriate components are required to maintain these standards.

Construction

- Formed 14 gauge steel except A and B which are 16 gauge.
- Smooth continuously welded seams.
- Welded brackets provide for enclosure mounting.
- Captive cover screws thread into sealed wells.
- Larger enclosures provide internally hinged removable covers, designed to hold the cover open during wiring (see table).
- Oil resistant gasket and adhesive.
- A bonding stud is provided on the door and a grounding stud is provided on the enclosure.

Finish

- Cover and enclosure are phosphatized and finished in ANSI 61 gray powder coating.

Accessories

- Hole plugs...see page [435](#)
- Pedestals...see page [454](#)

Technical references and CAD downloads available at www.hammondmfg.com

All dimensions in inches unless specified otherwise

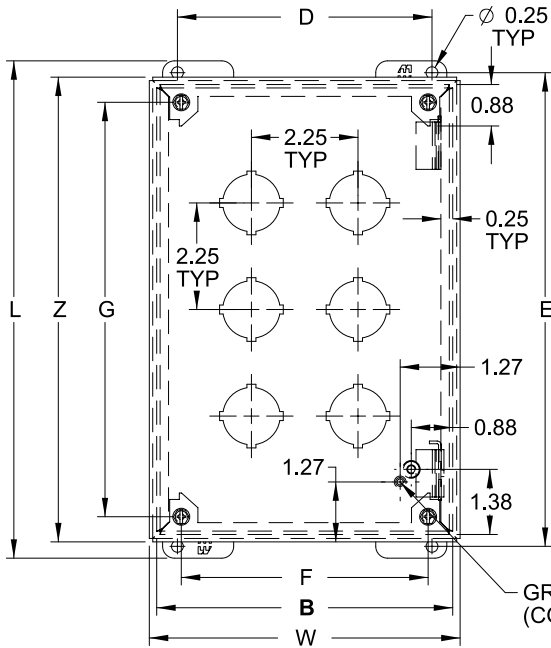
Pushbutton Enclosures

Pushbutton Enclosures - NEMA 12, 13

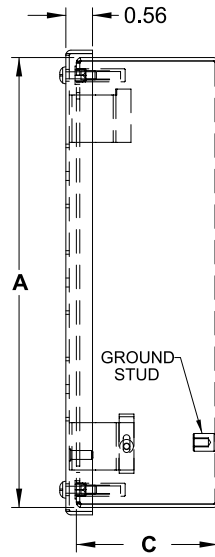
1435/1435M Series

Operator Interface Enclosure

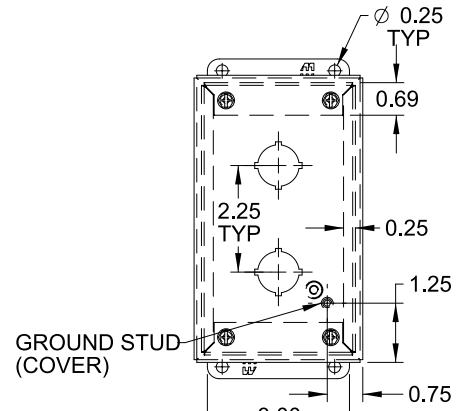
Pushbutton Enclosures



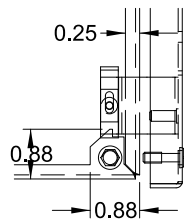
Front View
Body Type F through O
(Hinged)



Side View

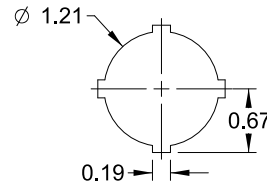


Front View
Body Type A through D
(Not Hinged)

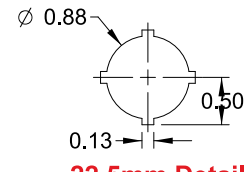


Hinge Detail

Retractable pin allows door to be mounted on left or right side



30.5mm Detail
(1435 Series)



22.5mm Detail
(1435M Series)

Part No.		No. of Holes	Overall Dimensions										Ship Wt. lbs.
30.5mm	22.5mm		A	B	C	D	E	F	G	L	W	Z	
1435A ¹	1435MA ¹	1	3.50	3.25	2.75	2.38	4.00	2.21	2.75	4.50	3.56	3.81	2
1435B ¹	1435MB ¹	2	5.75	3.25	2.75	2.38	6.25	2.21	5.00	6.75	3.56	6.06	3
1435C ¹	1435MC ¹	3	8.00	3.25	2.75	2.38	8.50	2.21	7.25	9.00	3.56	8.31	3
1435D ¹	1435MD ¹	4	10.25	3.25	2.75	2.38	10.75	2.21	9.50	11.25	3.56	10.56	4
1435F	1435MF	4	7.25	6.25	3.00	5.38	7.75	5.21	6.50	8.25	6.56	7.56	5
1435H	1435MH	6	9.50	6.25	3.00	5.38	10.00	5.21	8.75	10.50	6.56	9.81	6
1435K	1435MK	9	9.50	8.50	3.00	7.63	10.00	7.46	8.75	10.50	8.81	9.81	7
1435O	1435MO	12	11.75	8.50	3.00	7.63	12.25	7.46	11.00	12.75	8.81	12.06	8
1435S	1435MS	16	11.75	10.75	3.00	9.88	12.25	9.71	11.00	12.75	11.06	12.06	10

¹ Not Hinged

Technical references and CAD downloads available at www.hammondmfg.com

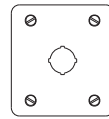
All dimensions in inches unless specified otherwise

Quality Products. Service Excellence.

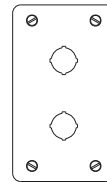
Pushbutton Enclosures - NEMA 4, 4X

1435/ 1435M Stainless Steel Series

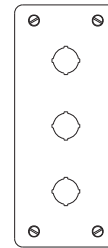
Operator Interface Enclosure



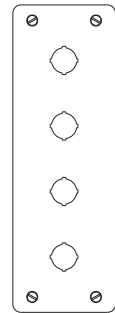
1



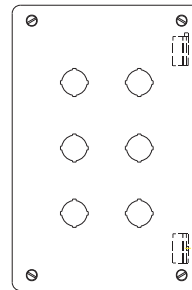
2



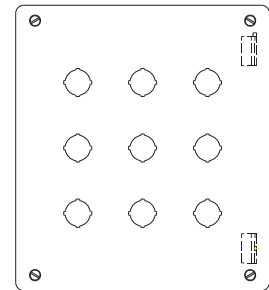
3



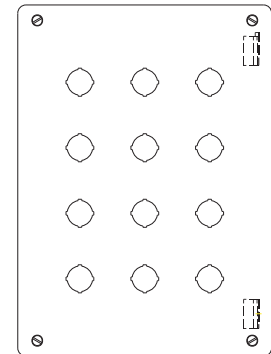
4



6



9



12

Application

- Designed to accept standard heavy duty oil tight pushbuttons, switches and pilot lights.
- Provides protection from dirt, dust, oil and large amounts of water from any angle, or where highly corrosive conditions exist.

Standards

- UL 508 Type 4 and 4X
- CSA Type 4 and 4X
- **Complies with**
 - NEMA Type 3R, 4 and 4X
 - JIC Standard EGP-1-1967
 - IEC 60529, IP66
- Appropriate components are required to maintain these standards.

Construction

- Formed 14 gauge stainless steel except A and B which are 16 gauge.
- 304 or 316 SS *see table*.
- Smooth continuously welded seams.
- Welded brackets provide for enclosure mounting.
- Captive stainless steel cover screws thread into sealed wells.
- Larger enclosures provide internally hinged removable covers, designed to hold the cover open during wiring (see table).
- Oil resistant gasket and adhesive.
- A bonding stud is provided on the door and a grounding stud is provided on the enclosure.

Finish

- Natural stainless steel with a smooth brushed finish.

Accessories

- Hole plugs...*see page 435*

Technical references and CAD downloads available at www.hammondmfg.com

All dimensions in inches unless specified otherwise

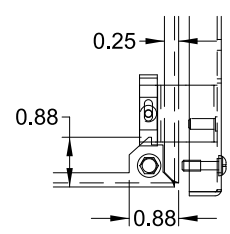
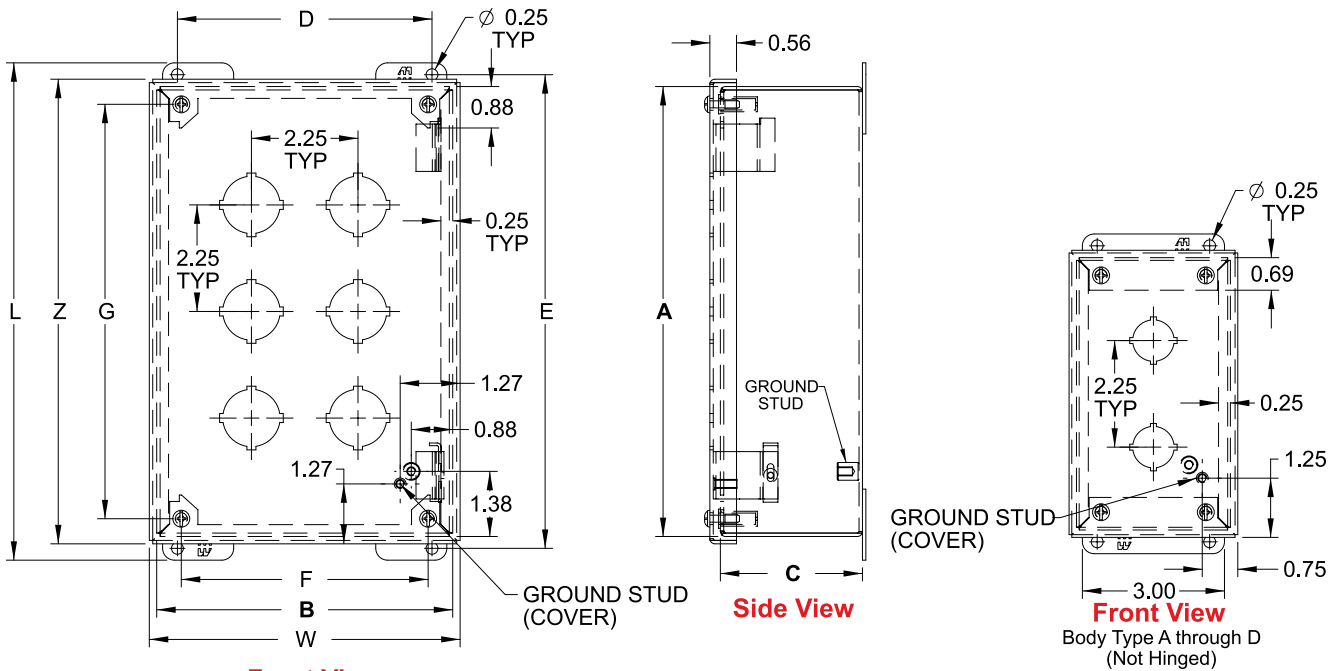
Pushbutton Enclosures

Pushbutton Enclosures - NEMA 4, 4X

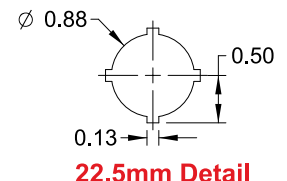
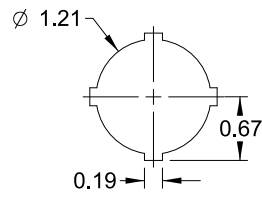
1435/ 1435M Stainless Steel Series

Operator Interface Enclosure

Pushbutton Enclosures



Retractable pin allows door to be mounted on left or right side



Part No.				No. Of Holes	Overall Dimensions												Ship Wt. lbs.
304 S.S. 22.5mm	304 S.S. 30.5mm	316 S.S. 22.5mm	316 S.S. 30.5mm		A	B	C	D	E	F	G	L	W	Z			
1435MSSA ¹	1435SSA ¹	1435MS16A ¹	1435S16A ¹	1	3.50	3.25	2.75	2.38	4.00	2.21	2.75	4.50	3.56	3.81	2		
1435MSSB ¹	1435SSB ¹	1435MS16B ¹	1435S16B ¹	2	5.75	3.25	2.75	2.38	6.25	2.21	5.00	6.75	3.56	6.06	3		
1435MSSC ¹	1435SSC ¹	1435MS16C ¹	1435S16C ¹	3	8.00	3.25	2.75	2.38	8.50	2.21	7.25	9.00	3.56	8.31	3		
1435MSSD ¹	1435SSD ¹	1435MS16D ¹	1435S16D ¹	4	10.25	3.25	2.75	2.38	10.75	2.21	9.50	11.25	3.56	10.56	4		
1435MSSH	1435SSH	1435MS16H	1435S16H	6	9.50	6.25	3.00	5.38	10.00	5.21	8.75	10.50	6.56	9.81	6		
1435MSSK	1435SSK	1435MS16K	1435S16K	9	9.50	8.50	3.00	7.63	10.00	7.46	8.75	10.50	8.81	9.81	7		
1435MSSO	1435SSO	1435MS16O	1435S16O	12	11.75	8.50	3.00	7.63	12.25	7.46	11.00	12.75	8.81	12.06	8		

¹ Not Hinged

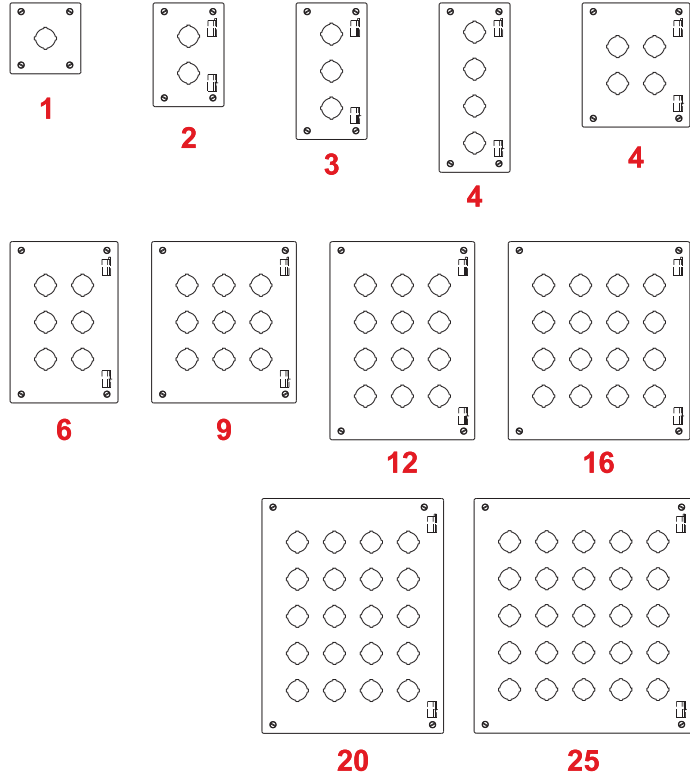
Technical references and CAD downloads available at www.hammondmfg.com All dimensions in inches unless specified otherwise

Quality Products. Service Excellence.

Pushbutton Enclosures - NEMA 12, 13

1437/ 1437M Extra Deep Series

Operator Interface Enclosure



Application

- Designed to accept standard heavy duty oil tight pushbuttons, switches and pilot lights.
- Provides protection from dirt, dust, oil and water.

Standards

- UL 508 Type 12 and 13
- CSA Enclosure 12 and 13
- **Complies with**
 - NEMA Type 12 and 13
 - IEC 60529, IP54
 - JIC STD EGP-1-1967
- Appropriate components are required to maintain these standards.

Construction

- Formed from 14 gauge steel except A which is 16 gauge.
- Smooth continuously welded seams.
- Welded brackets provide for enclosure mounting.
- Captive cover screws fasten into threaded, sealed wells.
- Larger enclosures provide internally hinged removable covers, designed to hold the cover open during wiring (see table).
- Oil resistant gasket and adhesive.
- A bonding stud is provided on the door and a grounding stud is provided on the enclosure.

Finish

- Cover and enclosure are phosphatized and finished in ANSI 61 gray powder coating.

Accessories

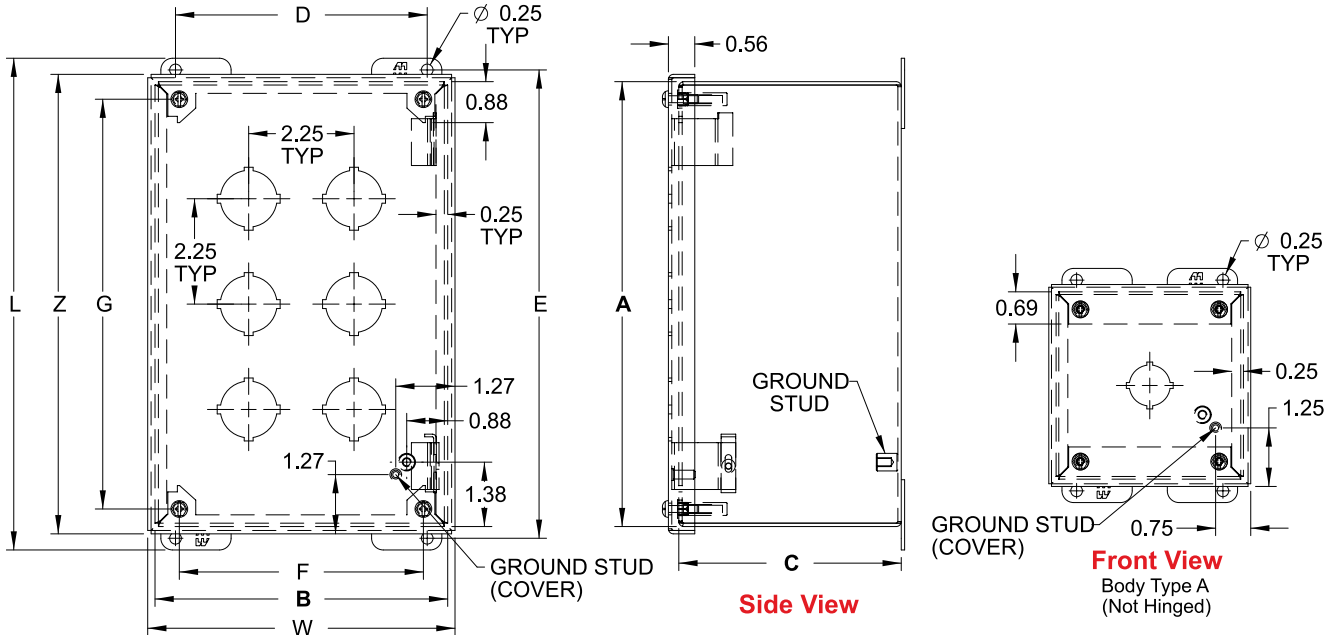
- Hole plugs...see page 435
- Pedestals...see page 454

Pushbutton Enclosures

Pushbutton Enclosures - NEMA 12, 13

1437/ 1437M Extra Deep Series

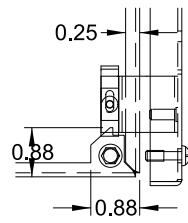
Operator Interface Enclosure



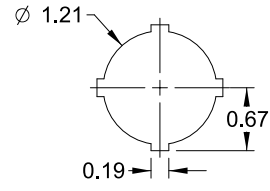
Front View
Body Type B through X
(Hinged)

Side View

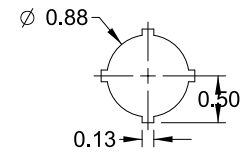
Front View
Body Type A
(Not Hinged)



Hinge Detail
Retractable pin allows door to be mounted on left or right side



30.5mm Detail
(1437 Series)



22.5mm Detail
(1437M Series)

Pushbutton Enclosures

Part No.		No. Of Holes	Overall Dimensions											Ship Wt. lbs.
30.5mm	22.5mm		A	B	C	D	E	F	G	L	W	Z		
1437A ¹	1437MA ¹	1	4.00	4.00	4.75	3.13	4.50	2.96	3.25	5.00	4.31	4.31	3	
1437B	1437MB	2	6.00	4.00	4.75	3.13	6.50	2.96	5.25	7.00	4.31	6.31	4	
1437C	1437MC	3	8.00	4.00	4.75	3.13	8.50	2.96	7.25	9.00	4.31	8.31	5	
1437D	1437MD	4	10.00	4.00	4.75	3.13	10.5	2.96	9.25	11.00	4.31	10.31	5	
1437F	1437MF	4	7.25	6.25	4.75	5.38	7.75	5.21	6.50	8.25	6.56	7.56	5	
1437H	1437MH	6	9.50	6.25	4.75	5.38	10.00	5.21	8.75	10.50	6.56	9.81	5	
1437K	1437MK	9	9.50	8.50	4.75	7.63	10.00	7.46	8.75	10.50	8.81	9.81	7	
1437O	1437MO	12	11.75	8.50	4.75	7.63	12.25	7.46	11.00	12.75	8.81	12.06	8	
1437S	1437MS	16	11.75	10.75	4.75	9.88	12.25	9.71	11.00	12.75	11.06	12.06	9	
1437V	1437MV	20	14.00	10.75	4.75	9.88	14.50	9.71	13.25	15.00	11.06	14.31	11	
1437X	1437MX	25	14.00	13.00	4.75	12.13	14.50	11.96	13.25	15.00	13.31	14.31	12	

¹ Not Hinged

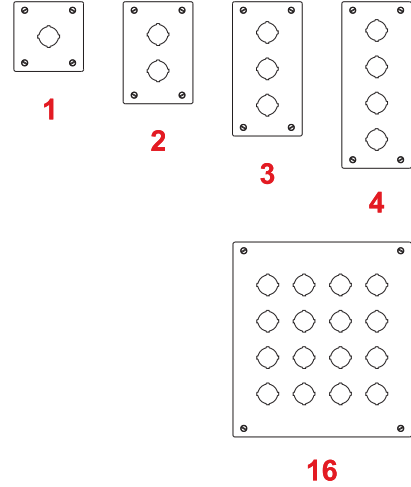
Technical references and CAD downloads available at www.hammondmfg.com All dimensions in inches unless specified otherwise

Quality Products. Service Excellence.

Pushbutton Enclosures - NEMA 4, 4X

1437 Stainless Steel Series

Operator Interface Enclosure



Pushbutton Enclosures

Application

- Designed to accept standard heavy duty oil tight pushbuttons, switches and pilot lights.
- Provides protection from dirt, dust, oil and water.

Standards

- UL 508 Type 4 and 4X
- CSA Enclosure 4 and 4X
- **Complies with**
 - NEMA Type 4 and 4X
 - IEC 60529, IP66
 - JIC STD EGP-1-1967
- Appropriate components are required to maintain these standards.

Construction

- Formed from 14 gauge steel except A which is 16 gauge.
- Smooth continuously welded seams.
- Welded brackets provide for enclosure mounting.
- Captive cover screws fasten into threaded, sealed wells.
- Larger enclosures provide internally hinged removable covers, designed to hold the cover open during wiring (see table).
- Oil resistant gasket and adhesive.
- A bonding stud is provided on the door and a grounding stud is provided on the enclosure.

Finish

- Natural stainless steel with a smooth brushed finish.

Accessories

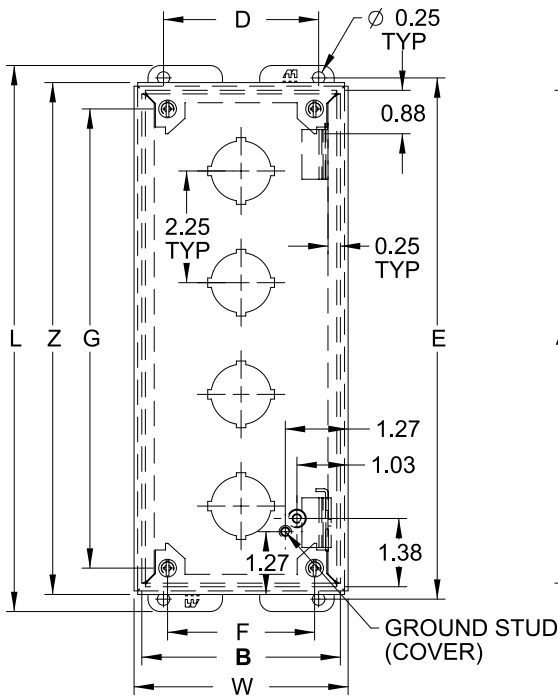
- Hole plugs...see page 435
- Pedestals...see page 454

Pushbutton Enclosures - NEMA 4, 4X

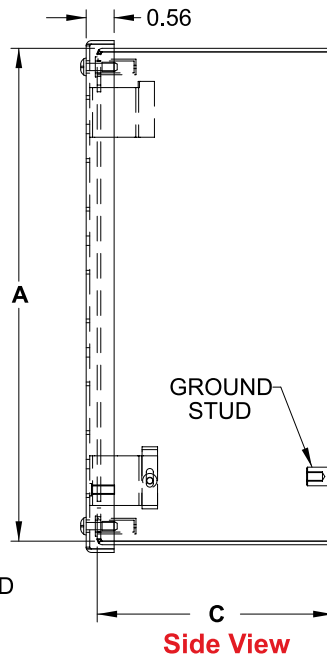
1437 Stainless Steel Series

Operator Interface Enclosure

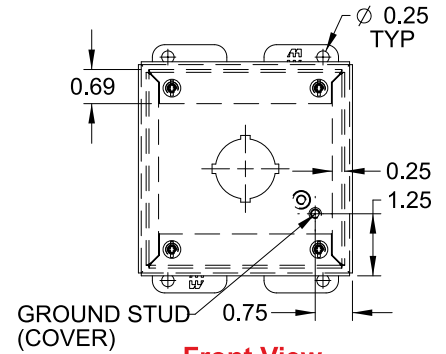
Pushbutton Enclosures



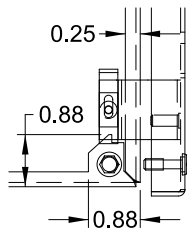
Front View
Body Type B through S
(Hinged)



Side View

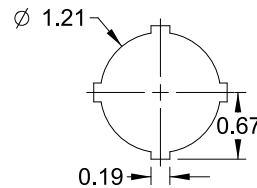


Front View
Body Type A
(Not Hinged)



Hinge Detail

Retractable pin allows door to be mounted on left or right side



22.5mm Detail
(1437M Series)

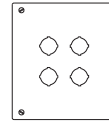
Part No.		No.	Overall Dimensions										Ship Wt.
304 SS 30.5mm	316 SS 30.5mm	Of Holes	A	B	C	D	E	F	G	L	W	Z	lbs.
1437SSA ¹	1437S16A ¹	1	4	4	4.75	3.13	4.5	2.96	3.25	5	4.31	4.31	3
1437SSB	1437S16B	2	6	4	4.75	3.13	6.5	2.96	5.25	7	4.31	6.31	4
1437SSC	1437S16C	3	8	4	4.75	3.13	8.5	2.96	7.25	9	4.31	8.31	5
1437SSD	1437S16D	4	10	4	4.75	3.13	10.5	2.96	9.25	11	4.31	10.31	5
1437SSS	1437S16S	16	11.75	10.75	4.75	9.88	12.25	9.71	11	12.75	11.06	12.06	10

¹ not hinged

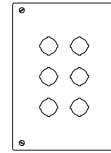
Pushbutton Enclosures - NEMA 12

1489/ 1489M Continuous Hinge Series

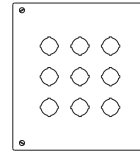
Operator Interface Enclosure



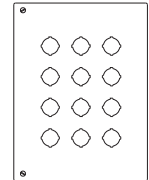
4



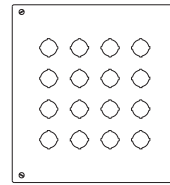
6



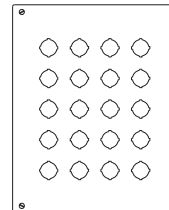
9



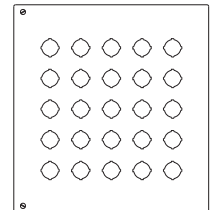
12



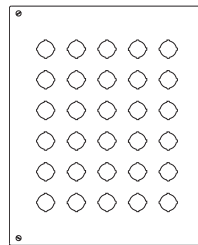
16



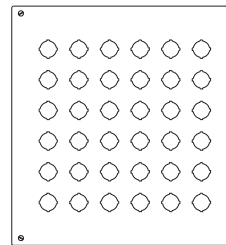
20



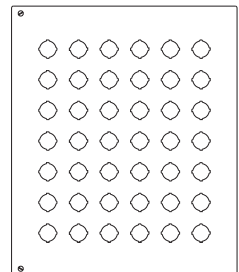
25



30



36



42

Pushbutton Enclosures

Application

- Designed to accept standard heavy duty oil tight pushbuttons, switches and pilot lights.
- Provides protection from dirt, dust, oil and water.

Standards

- UL 508 Type 12
- CSA Type 12
- JIC standard EGP-1-1967, EMP-1-1967
- **Complies with**
 - NEMA Type 12
 - IEC 60529, IP54
- Appropriate components are required to maintain these standards.

Construction

- Formed 14 gauge steel.
- Smooth continuously welded seams.
- Welded brackets provide for enclosure mounting.
- Continuously hinged cover is secured with captive, plated steel screws which fasten into threaded sealed wells.
- Oil resistant gasket and adhesive.
- Weldnuts are provided for mounting inner panels.
- A removable 14 gauge inner panel is included.
- A bonding stud is provided on the door and a grounding stud is provided in the enclosure.

Finish

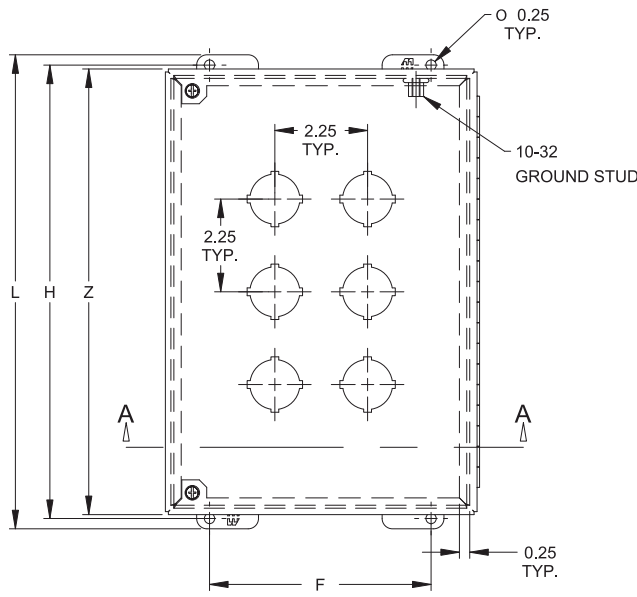
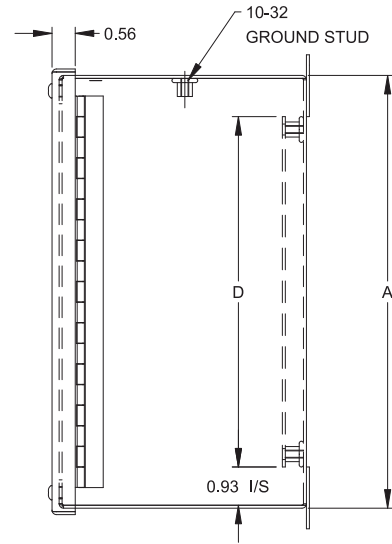
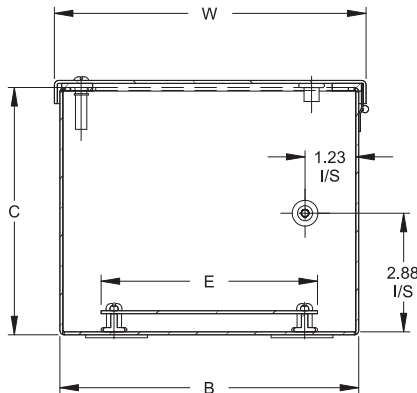
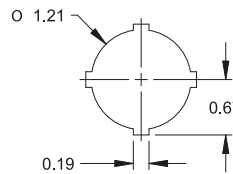
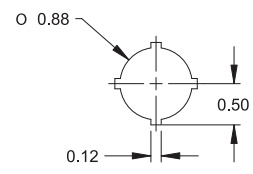
- Cover and enclosure are phosphatized and finished in ANSI 61 gray powder coating.
- Removable inner panel is finished in white powder coating.

Accessories

- Hole plugs...see page 435
- Pedestals...see page 454

Pushbutton Enclosures - NEMA 12

1489/ 1489M Continuous Hinge Series

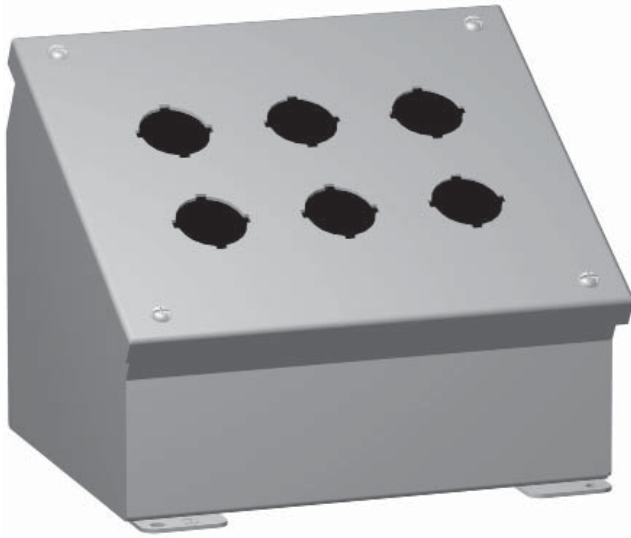
Operator Interface Enclosure
Pushbutton Enclosures

Front View

Side View

SECTION A-A

30.5mm Detail (1489 Series)

22.5mm Detail (1489M Series)

Part No.		No. Of Holes	Panel Size			Overall Dimensions				Ship Wt. Lbs.			
30.5mm Hole	22.5mm Hole		A	B	C	D	E	F	H		L	W	Z
1489P4	1489MP4	4	8.25	7.25	6	6.25	5.25	5.38	8.75	9.25	7.56	8.56	9
1489P6	1489MP6	6	10.5	7.25	6	8.5	5.25	5.38	11	11.5	7.56	10.81	11
1489P9	1489MP9	9	10.5	9.5	6	8.5	7.5	7.63	11	11.5	9.81	10.81	13
1489P12	1489MP12	12	12.75	9.5	6	10.75	7.5	7.63	13.25	13.75	9.81	13.06	15
1489P16	1489MP16	16	12.75	11.75	6	10.75	9.75	9.88	13.25	13.75	12.06	13.06	19
1489P20	1489MP20	20	15	11.75	6	13	9.75	9.88	15.5	16	12.06	15.31	21
1489P25	1489MP25	25	15	14	6	13	12	12.13	15.5	16	14.31	15.31	23
1489P30	1489MP30	30	17.25	14	6	15.25	12	12.13	17.75	18.25	14.31	17.56	28
1489P36	1489MP36	36	17.25	16.25	6	15.25	14.25	14.38	17.75	18.25	16.56	17.56	32
1489P42	1489MP42	42	19.5	16.25	6	17.5	14.25	14.38	20	20.5	16.56	19.81	29

Pushbutton Enclosures - NEMA 12, 13

1490/ 1490M Sloped Front Console Series

Operator Interface Enclosure



Application

- Designed to accept standard heavy duty oil tight pushbuttons, switches and pilot lights.
- Ideal for wall or surface mounting to provide the necessary control slope.
- Provides protection from dirt, dust, oil and water.

Standards

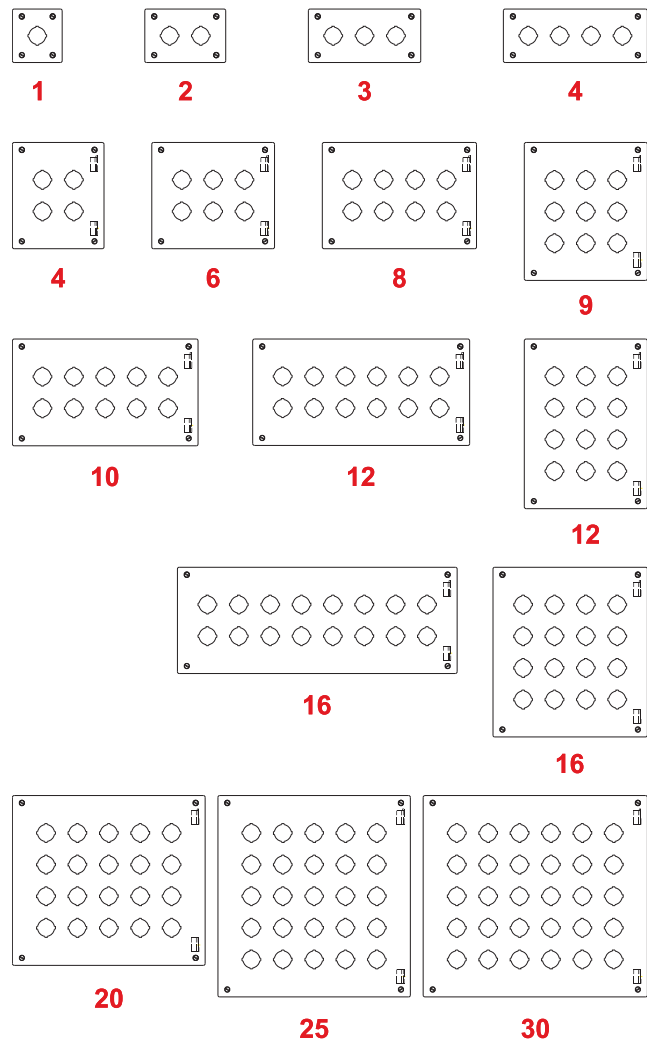
- UL 508 Type 12 and 13
- CSA Type 12 and 13
- JIC standard EGP-1-1967
- **Complies with**
 - NEMA Type 12 and 13
 - IEC 60529, IP54
- Appropriate components are required to maintain these standards.

Construction

- Formed 14 gauge steel.
- Smooth continuously welded seams.
- Construction provides either a 30° or 60° slope on front cover depending on mounting position.
- Welded brackets provide for enclosure mounting.
- Captive cover screws thread into sealed wells.
- Larger enclosures provide internally hinged removable covers designed to hold the cover open during wiring (as noted in table).
- Oil resistant gasket and adhesive.
- A bonding stud is provided on the door and a grounding stud is provided in the enclosure.

Finish

- Cover and enclosure are phosphatized and finished in ANSI 61 gray powder coating.



Accessories

- Hole plugs...see page 435
- Pedestals...see page 454

Technical references and CAD downloads available at www.hammondmfg.com

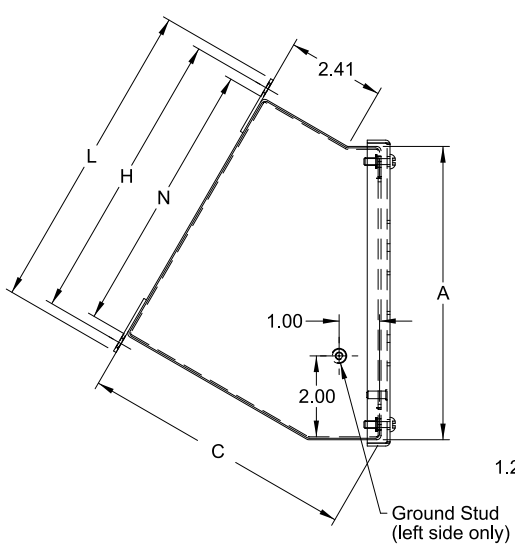
All dimensions in inches unless specified otherwise

Pushbutton Enclosures

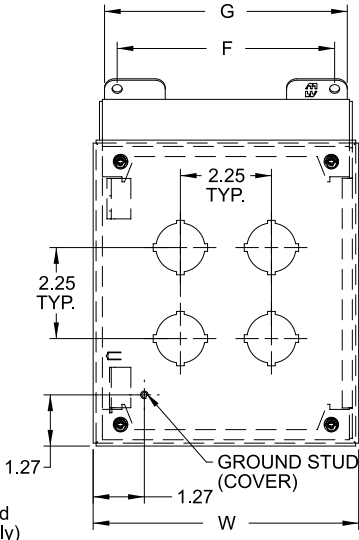
Pushbutton Enclosures - NEMA 12, 13

1490/ 1490M Sloped Front Console Series

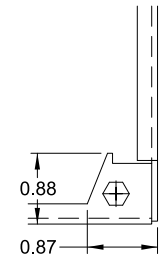
Operator Interface Enclosure



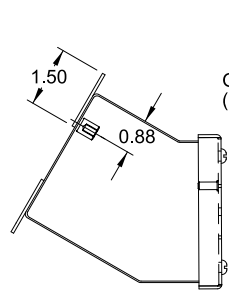
Side View
1490G4 -K30
1490MG4 -MK30



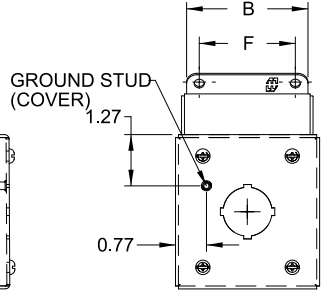
Front View



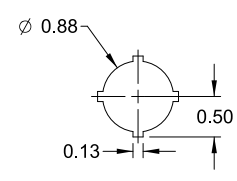
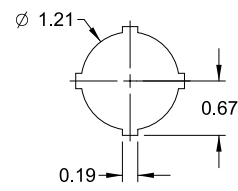
Hinge Detail
Retractable pin allows door to be mount on left side or right side.



Side View
1490D1 -D4
1490MD1 -MD4



FRONT VIEW



30.5mm Detail (1490 Series) 22.5mm Detail (1490M Series)

Pushbutton Enclosures

Part No.	No. Of Holes	A	B	C	F	G	H	L	N	W	Z	Ship Wt. lbs.
1490D1 ¹	1	3.50	3.25	4.88	2.38	3.00	4.03	4.53	3.53	3.56	3.81	2
1490D2 ¹	2	3.50	5.50	4.88	4.63	5.25	1.03	4.53	3.53	5.81	3.81	3
1490D3 ¹	3	3.50	7.75	4.88	6.88	7.50	4.03	4.53	3.53	8.06	3.81	5
1490D4 ¹	4	3.50	10.00	4.88	9.13	8.75	4.03	4.53	3.53	10.31	3.81	6
1490G4	4	7.25	6.25	6.75	5.38	6.00	7.28	7.78	6.78	6.56	7.56	6
1490G6	6	7.25	8.50	6.75	7.63	8.25	7.28	7.78	6.78	8.81	7.56	7
1490G8	8	7.25	10.75	6.75	9.88	10.50	7.28	7.78	6.78	11.06	7.56	9
1490H9	9	9.50	8.50	7.88	7.63	8.25	9.25	9.75	8.75	8.81	9.81	9
1490G10	10	7.25	13.00	6.75	12.13	12.75	7.28	7.78	6.78	13.31	7.56	10
1490G12	12	7.25	15.25	6.75	14.38	15.00	7.28	7.78	6.78	15.56	7.56	11
1490J12	12	11.75	8.50	9.00	7.63	8.25	11.19	11.69	10.69	8.81	12.06	13
1490G16	16	7.25	19.75	6.75	18.88	19.50	7.28	7.78	6.78	20.06	7.56	14
1490J16	16	11.75	10.75	9.00	9.88	10.50	11.19	11.69	10.69	11.06	12.06	14
1490J20	20	11.75	13.00	9.00	12.13	12.75	11.19	11.69	10.69	13.31	12.06	16
1490K25	25	14.00	13.00	10.13	12.13	12.75	13.13	13.63	12.63	13.31	14.31	17
1490K30	30	14.00	15.25	10.13	14.38	15.00	13.13	13.63	12.63	15.56	14.31	19

¹ Not hinged

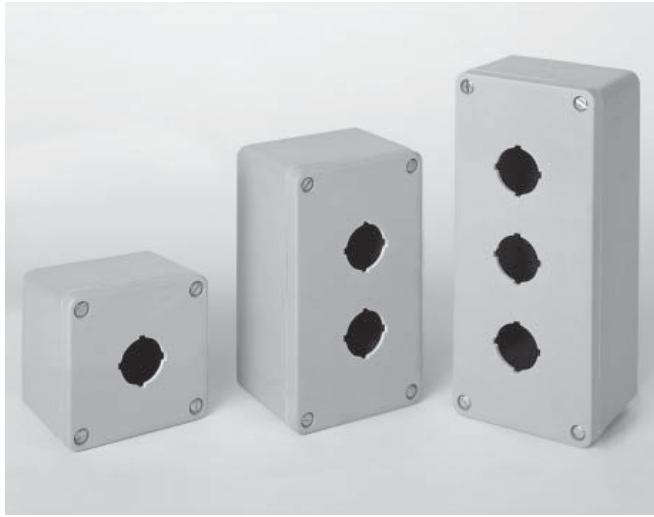
Technical references and CAD downloads available at www.hammondmfg.com All dimensions in inches unless specified otherwise

Quality Products. Service Excellence.

Polycarbonate Modular Enclosures - NEMA 4, 4X

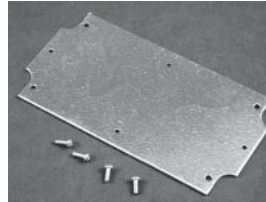
1554 Series - Pushbutton Lift-Off Cover Enclosures, 22 mm and 30.5 mm

Operator Interface Enclosure



Feet Kit

**Panel
Sold
Separately**



Optional Inner Panel

Standards

- cULus Type 4, 4X
- **Complies with**
 - NEMA 4, 4X, 12 and 13
 - IEC 60529, IP66
- Appropriate components are required to maintain these standards.

Construction

- Electronic instrument enclosures, designed for mounting printed circuit boards or DIN rail mounted components.
- The polycarbonate material carries a UL flammability rating of UL94 5V and is suitable for outdoor use.
- Lid and mounting holes are located outside of the gasket seal.
- Lid is secured with self capturing M4 stainless steel machine screws (included), threaded into integral stainless steel bushings (for repetitive assembly & disassembly).
- Heavy duty 16 gauge galvanized steel panels available (see chart)
- All stainless steel hardware to avoid corrosion caused by dissimilar metals.
- Gasket is factory poured using high temperature U.L. listed - silicone rubber gasket material.
- Gasketed lid with two piece "tongue & groove" construction provides protection against access of oil, dust and water.
- Internal DIN rail mounting tabs.
- Threaded (M3) integral brass inserts & standoffs designed for M3.5 or #6 self tapping screws for P.C. board or inner panel mounting in all but the smallest size.
- Vertical P.C. card guides (for 1.5 mm thick P.C. boards) are molded in all but the smallest size

Finish

- Color is light gray (RAL 7035)

Optional Inner Panel

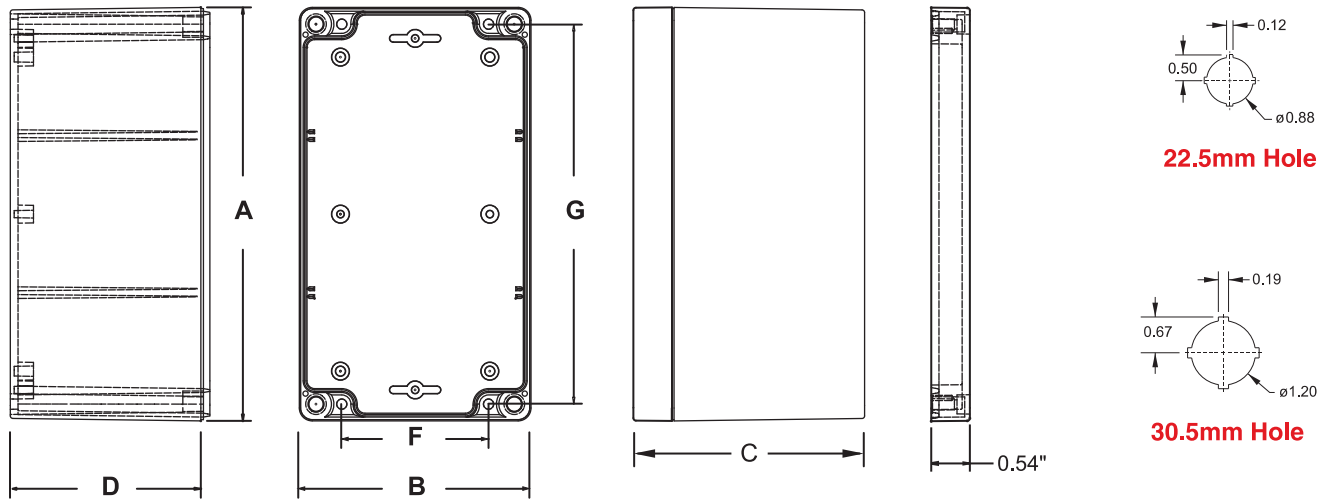
- Heavy duty panels for mounting components...*see next page*
- Galvanized 16 ga. steel.
- Includes mounting hardware.

Pushbutton Enclosures

Polycarbonate Modular Enclosures - NEMA 4, 4X

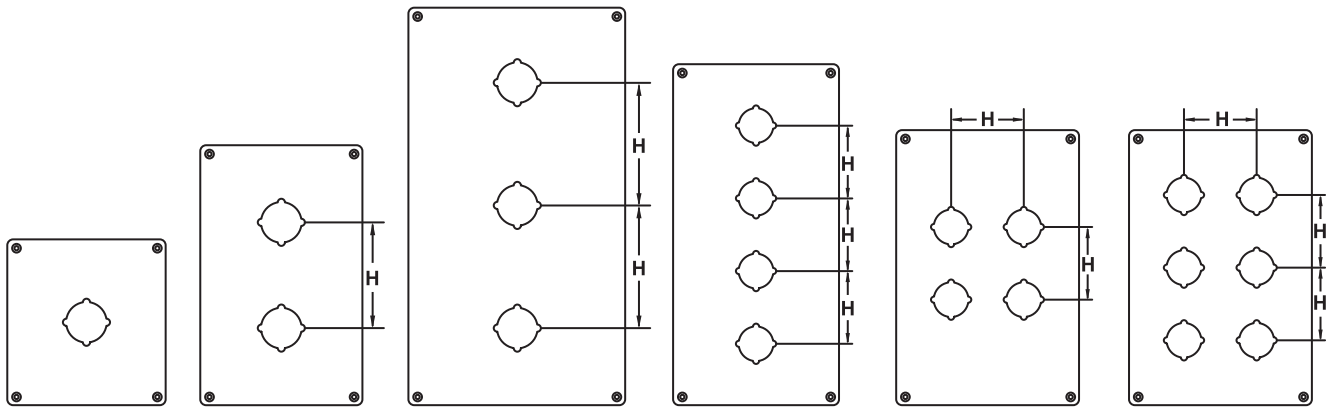
1554 Series - Pushbutton Lift-Off Cover Enclosures, 22 mm and 30.5 mm

Operator Interface Enclosure



Body View

Lid View



PB1 & MPB1

PB2 & MPB2

PB2 & MPB2

MPB4

PB4

PB6 & MPB6

Pushbutton Enclosures

Part No.		# of Holes	Units	Overall Depth							22 mm	30.5 mm	Optional Inner Panel Part No.	Units	Dimensions	
22 mm	30.5 mm			A	B	C	D	F	G	H	H	Length			Width	
1554MPB1	1554PB1	1	inch mm	3.5 90	3.5 90	2.4 60	1.77 45	2.24 57	2.24 57	Center Center	Center Center	1554EPL	inch mm	3.1 79	3.1 79	
1554MPB2	1554PB2	2	inch mm	6.3 160	3.5 90	2.4 60	1.77 45	2.24 57	5.79 147	1.89 48	2.52 64	1554JPL	inch mm	5.8 147	3 76	
1554MPB3	1554PB3	3	inch mm	7.9 200	4.7 120	3.5 90	2.95 75	3.43 87	7.37 187	1.89 48	2.52 64	1554UPL	inch mm	7.6 193	4.2 107	
1554MPB4	1554PB4	4	inch mm	7.9 200	4.7 120	3.5 90	2.95 75	3.43 87	7.37 187	1.89 48	2.52 64	1554UPL	inch mm	7.6 193	4.2 107	
1554MPB6	1554PB6	6	inch mm	9.5 240	6.3 160	3.5 90	2.95 75	5 127	8.93 227	1.89 48	2.52 64	1554VPL	inch mm	9.1 231	5.7 145	

Technical references and CAD downloads available at www.hammondmfg.com

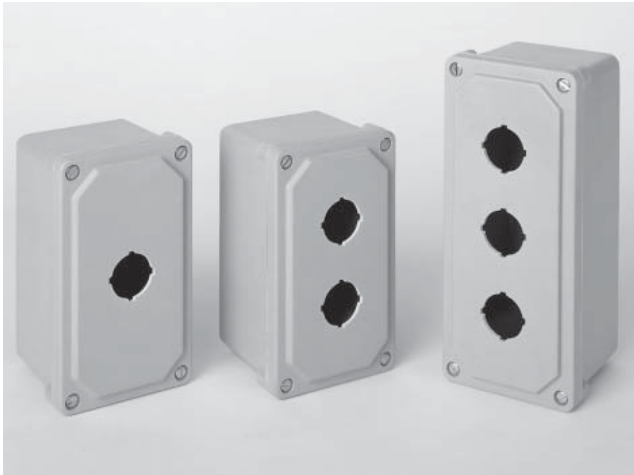
All dimensions in inches unless specified otherwise

Quality Products. Service Excellence.

Polyester Modular Enclosures - NEMA 4, 4X

PJ Series - Solid Cover & Inline Pushbutton Enclosures, 22 mm and 30.5 mm

Operator Interface Enclosure



Application

- Designed for use as instrument enclosures, electric, hydraulic or pneumatic control housings, electrical junction boxes or terminal wiring enclosures.
- Provides outstanding insulation and protection where equipment may be hosed down or be very wet.
- Ideal in applications with high temperatures or highly corrosive environments.

Standards

- UL 508 Type 1, 2, 3, 4, 4X, 12 and 13
- CSA Type 1, 2, 3, 4, 4X, 12 and 13
- **Complies with**
 - NEMA Type 1, 2, 3, 4, 4X, 12 and 13
 - IEC 60529, IP66

Construction

- Molded fiberglass polyester enclosure with matching cover is easily punched, cut, or drilled.
- Standard JIC sizes under 18" x 16".
- Threaded brass inserts are provided for optional inner panel.
- Cover is fastened with captive stainless steel screws in threaded brass inserts.
- Captive oil resistant gasket provides a positive seal.
- Mounting through rear holes on enclosure. Use #8 x 1 inch screw (not included).
- Enhanced UV inhibitors protect against outdoor weathering.
- Solid cover series available with and without mounting feet.
- Operating temperatures between 130°C and -40°C (266°F to -40°F).
- Impact index of 6.78J (5 ft/lb).
- For corrosion resistance information, please refer to table in Technical Information.

Finish

- Fiberglass polyester material has a gray finish.
- Optional steel inner panel is available in white powder coated finish.

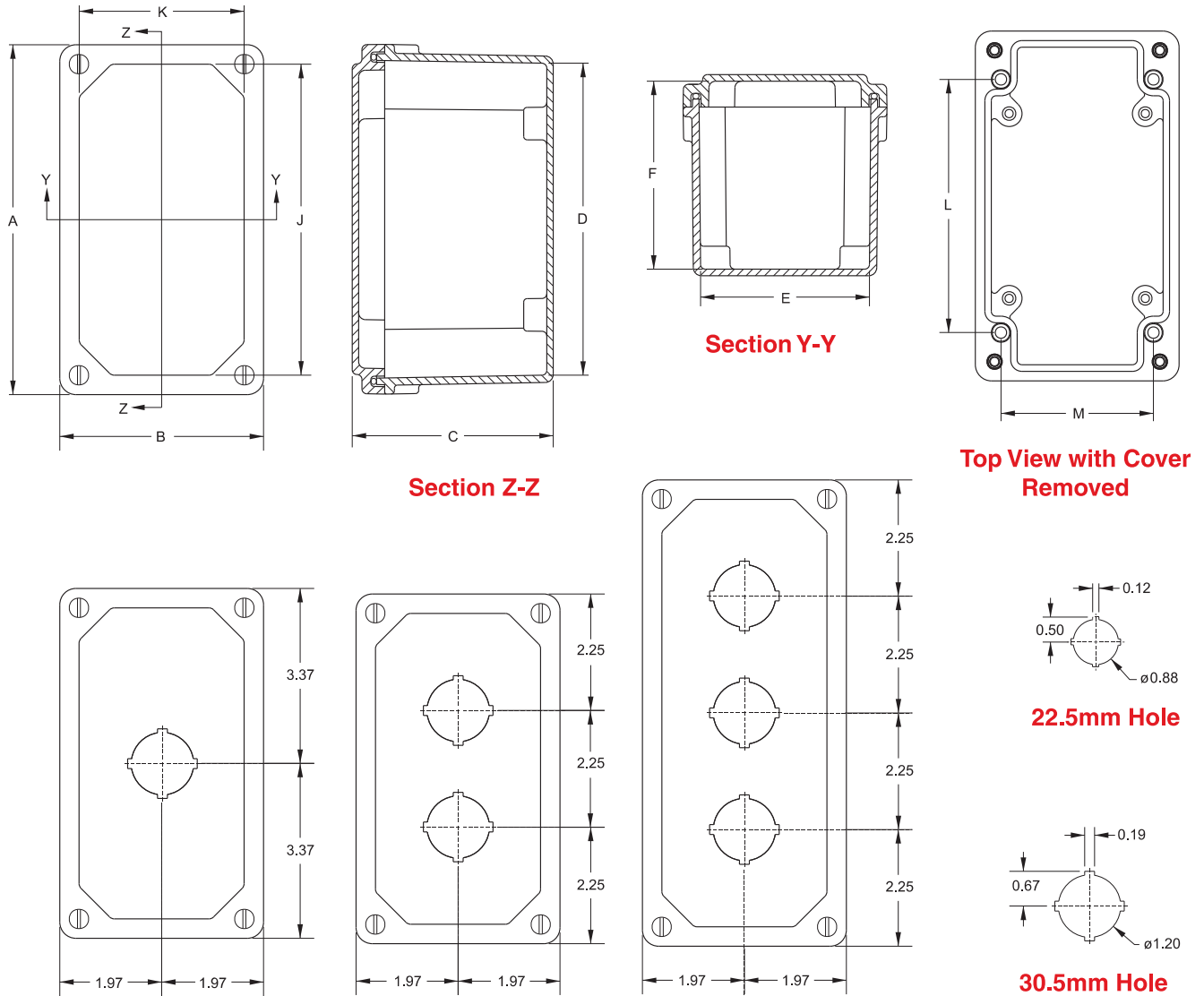
Pushbutton Enclosures

Polyester Modular Enclosures - NEMA 4, 4X

PJ Series - Solid Cover & Inline Pushbutton Enclosures, 22 mm and 30.5 mm

Operator Interface Enclosure

Pushbutton Enclosures



Pushbutton Series

Hole Placement

Part No.	Overall Dimensions			Inside Dimensions							# of Holes	Hole Size
	A	B	C	D	E	F	J	K	L	M		
PJ744P1	6.74	3.93	3.88	6.01	3.26	3.63	5.99	3.18	4.88	2.94	1	30.5
PJ744P221	6.74	3.93	3.88	6.01	3.26	3.63	5.99	3.18	4.88	2.94	1	22.5
PJ744P2	6.74	3.93	3.88	6.01	3.26	3.63	5.99	3.18	4.88	2.94	2	30.5
PJ744P222	6.74	3.93	3.88	6.01	3.26	3.63	5.99	3.18	4.88	2.94	2	22.5
PJ944P3	8.99	3.93	3.88	8.26	3.26	3.63	8.24	3.18	7.13	2.94	3	30.5
PJ944P223	8.99	3.93	3.88	8.26	3.26	3.63	8.24	3.18	7.13	2.94	3	22.5

Solid Cover Series

Part No.	Mounting Feet	Overall Dimensions			Inside Dimensions					Optional Steel Inner Panel	Inner Panel Dimensions		
		A	B	C	D	E	F	J	K			L	M
PJ744	Yes	6.74	3.93	3.88	6.01	3.26	3.63	5.99	3.18	4.88	2.94	PJP74	4 x 3.13
PJ744FS	No	6.74	3.93	3.88	6.01	3.26	3.63	5.99	3.18	4.88	2.94	PJP74	4 x 3.13
PJ944	Yes	8.99	3.93	3.88	8.26	3.26	3.63	8.24	3.18	7.13	2.94	PJP94	6.25 x 3.13
PJ944FS	No	8.99	3.93	3.88	8.26	3.26	3.63	8.24	3.18	7.13	2.94	PJP94	6.25 x 3.13

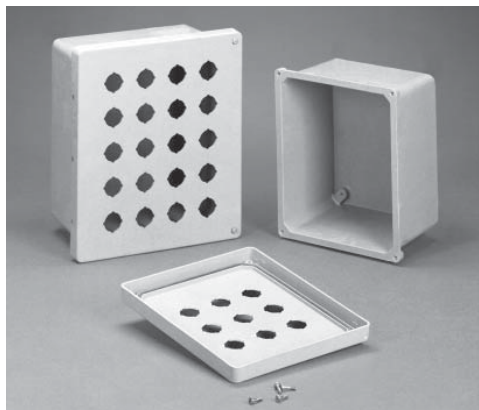
Technical references and CAD downloads available at www.hammondmfg.com

All dimensions in inches unless specified otherwise

Quality Products. Service Excellence.

Polyester Modular Enclosures - NEMA 4X

PJ Series - Pushbutton Lift Off and Hinged Screw Cover 30.5mm



**Panel
Sold
Separately**



Application

- Designed for use as instrument enclosures, electric, hydraulic or pneumatic control housings, electrical junction boxes or terminal wiring enclosures.
- Provides outstanding insulation and protection where equipment may be hosed down or be very wet.
- Ideal in applications with high temperatures or highly corrosive environments.

Standards

- UL 508 Type 1, 2, 3, 4, 4X, 12 and 13
- CSA Type 1, 2, 3, 4, 4X, 12 and 13
- **Complies with**
 - NEMA Type 1, 2, 3, 4, 4X, 12 and 13
 - IEC 60529, IP66

Construction

- Molded fiberglass polyester enclosure with matching cover is easily punched, cut, or drilled.
- Standard JIC sizes under 18" x 16".
- Threaded brass inserts are provided for optional inner panel or terminal kit mounting.
- Cover is fastened with captive stainless steel screws in threaded brass inserts.
- Captive oil resistant gasket provides a positive seal.
- Threaded brass inserts are provided for mounting feet to the rear of the enclosure.
- Stainless steel mounting brackets and hardware are provided for mounting to the rear of the enclosure.
- Enhanced UV inhibitors protect against outdoor weathering.
- Operating temperatures between 130°C and -40°C (266°F to -40°F).
- Impact index of 6.78J (5 ft/lb).
- For corrosion resistance information, please refer to table in Technical Information.

Finish

- Fiberglass polyester material has a gray finish.
- Optional inner panels are available in white powder coated finished steel or unfinished aluminum.

Accessories

- Painted steel inner panels
...see page 436
- Unfinished aluminum inner panels
...see page 436
- Galvanized Panels...*see page 436*
- Terminal kit assemblies...*see page 441*

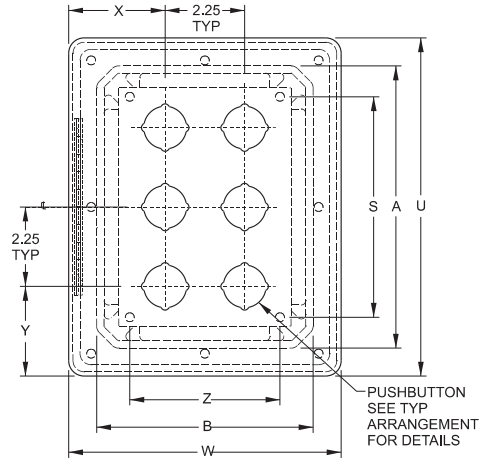
Lift Off Cover Part No.	Hinged Cover Part No.	Overall Dimensions			Panel Size						Center	
		A	B	C	D	E	F	G	H	J	S	Z
PJ664P4	PJ664HP4	6.10	6.10	4.18	4.88	4.88	3.76	5.01	5.01	3.52	4.25	4.25
PJ864P6	PJ864HP6	8.00	6.12	4.13	6.75	4.88	3.68	6.89	5.01	3.47	6.25	4.25
PJ1084P9	PJ1084HP9	10.13	8.26	4.13	8.75	6.88	3.68	8.89	7.01	5.47	8.25	6.25
PJ1086P9	PJ1086HP9	10.13	8.26	6.13	8.75	6.88	5.68	8.89	7.01	5.47	8.25	6.25
PJ1086P12	PJ1086HP12	10.13	8.26	6.13	8.75	6.88	5.68	8.89	7.01	5.47	8.25	6.25
PJ12106P16	PJ12106HP16	12.13	10.26	6.13	10.75	8.88	5.68	10.89	9.01	5.47	10.25	8.25
PJ12106P20	PJ12106HP20	12.13	10.26	6.13	10.75	8.88	5.68	10.89	9.01	5.47	10.25	8.25
PJ14126P25	PJ14126HP25	14.13	12.26	6.13	12.75	10.88	5.68	12.89	11.01	5.47	12.25	10.25
PJ16148P30	PJ16148HP30	16.27	14.40	8.13	14.75	12.88	7.68	14.89	13.01	7.47	14.25	12.25
PJ18168P42	PJ18168HP42	18.40	16.40	8.13	16.88	14.88	7.68	16.97	14.97	7.47	16.25	14.25

¹ For aluminum panel...*see page 380.*

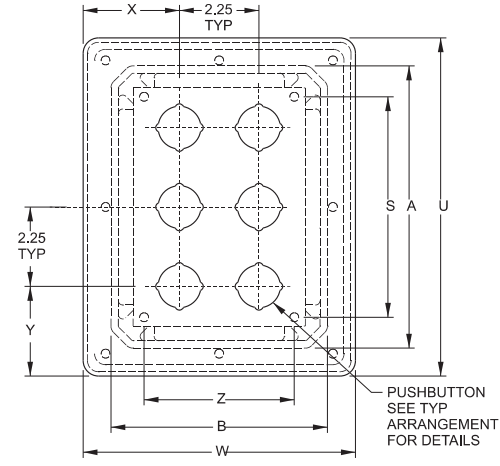
Polyester Modular Enclosures - NEMA 4X

PJ Series - Pushbutton Lift Off and Hinged Screw Cover 30.5mm

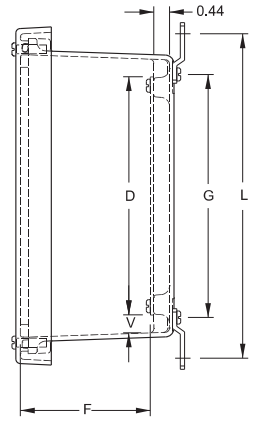
Operator Interface Enclosure



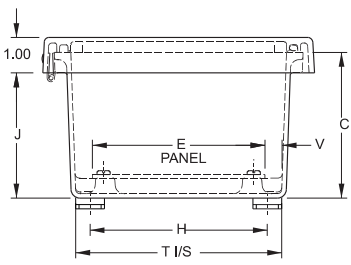
Top View
Hinged Screw Cover



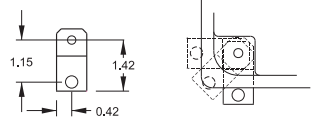
Top View
Lift Off Screw Cover



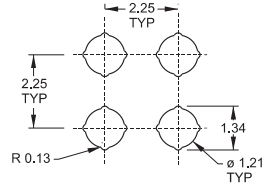
Side View



Front View

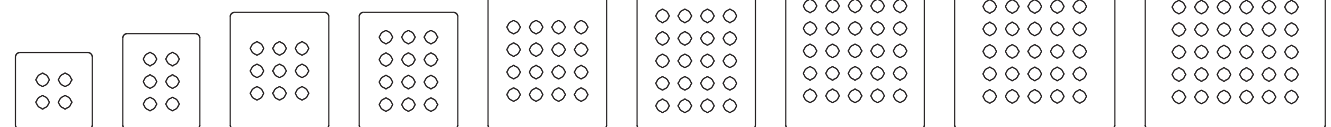


Optional Mounting Feet Locations



Typical Pushbutton Arrangement

Thermal Index
130°C to -40°C
(266°F to -40°F)
Impact Index
6.78J (5 ft/lb)



- PJ664P4
PJ664HP4
- PJ864P6
PJ864HP6
- PJ1086P9
PJ1086HP9
- PJ1086P12
PJ1086HP12
- PJ12106P16
PJ12106HP16
- PJ12106P20
PJ12106HP20
- PJ14126P25
PJ14126HP25
- PJ16148P30
PJ16148HP30
- PJ18168P42
PJ18168HP42

Pushbutton Enclosures

Lift Off Cover Part No.	Hinged Cover Part No.	Optional L	T	V	U	W	Steel Panel Part No. ¹	No. Holes	X	Y	Ship Wt. Lbs.
PJ664P4	PJ664HP4	7.32	5.83	0.49	7.69	7.69	14R0505	4	2.72	2.72	4
PJ864P6	PJ864HP6	9.19	5.85	0.50	9.59	7.71	14R0705	6	2.73	2.55	4
PJ1084P9	PJ1084HP9	11.19	7.85	0.50	11.77	9.90	14R0907	9	2.68	3.62	6
PJ1086P9	PJ1086HP9	11.19	7.85	0.50	11.77	9.90	14R0907	9	2.68	3.62	6
PJ1086P12	PJ1086HP12	11.19	7.85	0.50	11.77	9.90	14R0907	12	2.68	2.49	6
PJ12106P16	PJ12106HP16	13.19	9.85	0.50	13.77	11.90	14R1109	16	2.55	3.49	8
PJ12106P20	PJ12106HP20	13.19	9.85	0.50	13.77	11.90	14R1109	20	2.55	2.37	8
PJ14126P25	PJ14126HP25	15.19	11.85	0.50	15.73	13.85	14R1311	25	2.43	3.37	11
PJ16148P30	PJ16148HP30	17.19	13.71	0.50	17.87	15.99	14R1513	30	3.50	3.31	12
PJ18168P42	PJ18168HP42	19.28	15.72	0.50	20.00	18.00	P1868	42	3.38	3.25	17

¹ For aluminum panel...see page 380.