



COMET SYSTEM, s.r.o.

1.maje 1220

756 61 Roznov pod Radhostem

CZECH REPUBLIC

Tel.: +420 571 653 990

E-mail: info@cometsystem.com

T2114 Barometric pressure transmitter - 4-20mA output



code: T2114

Atmospheric pressure transmitter. Outdoor, indoor use.

Barometric pressure transmitter for outdoor and indoor use. Display reading and pressure output is user selectable in these units: hPa, kPa, mbar, mmHg, inHg, inH₂O, PSI, oz/in².

Included in delivery:

- Traceable calibration certificate
- Quick start manual
- Free program TSensor for configuring of the transmitter is ready to [Download](#)

Features

Transmitter contains a microprocessor based control circuitry in a durable plastic case with connection terminals and sensor. Output range is user adjustable. Large dual line LCD is an advantage. Display is possible to switch off. Computerized design ensures long term stability and fail indication.

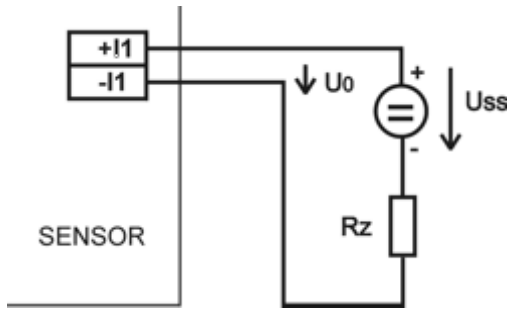
APPLICATIONS :

- building HVAC management
- building HVAC automation
- warehouses
- manufacturers
- museums, archives, galleries
- air-conditioned rooms
- weather stations Output is set to maximum range from the manufacturer.

To set other range by the user buying of SP003 cable is necessary - see Optional accessory.

Free configuration program TSensor for transmitter adjustment is ready to download anytime.

If different adjustment of output is required, please specify required output range in the order. Adjustment is free of charge.



Typical application wiring of transmitter

Calculation of minimum power voltage U_{ss} for proper operation:

$$U_{ss \text{ min}} > U_{o \text{ min}} + I_{\text{max}} * R_z,$$

where: $U_{o \text{ min}} = 9 \text{ V}$

I_{max} ... approximately 20 mA

R_z ... sensing resistor (shunt)

Technical Data

Technical parameters	Value
Output	4-20mA
Measured Value	Atmospheric Pressure
Construction Type	Ambient Air
Design	Industrial
Temperature Measuring Range	to °C
Relay Output	No
Two-State Input	No
Lcd Display	Yes
PoE	No
Maximum measuring range	600 to 1100hPa
Output setting from the manufacturer	800 to 1100hPa
Accuracy	$\pm(1,3\text{hPa}+0.06\%$ from adjusted output span) at 23°C from 800 to 1100hPa
Available pressure units	hPa, kPa, mbar, mmHg, inHg, inH2O, PSI, oz/in2
Temperature operating range	-30 to +80°C
Temperature operating range of LCD display	readable to operating temperature +70°C, it is recommended to switch OFF the LCD over +70°C
Current output - two-wire connection	4-20mA
Configuration of output range	user adjustable from the PC
IP protection	IP54
Power	9-30Vdc
Dimensions	88.5 x 98 x 39.5 mm (W x H x D)
Weight	approximately 135g

Warranty	3 years
----------	---------