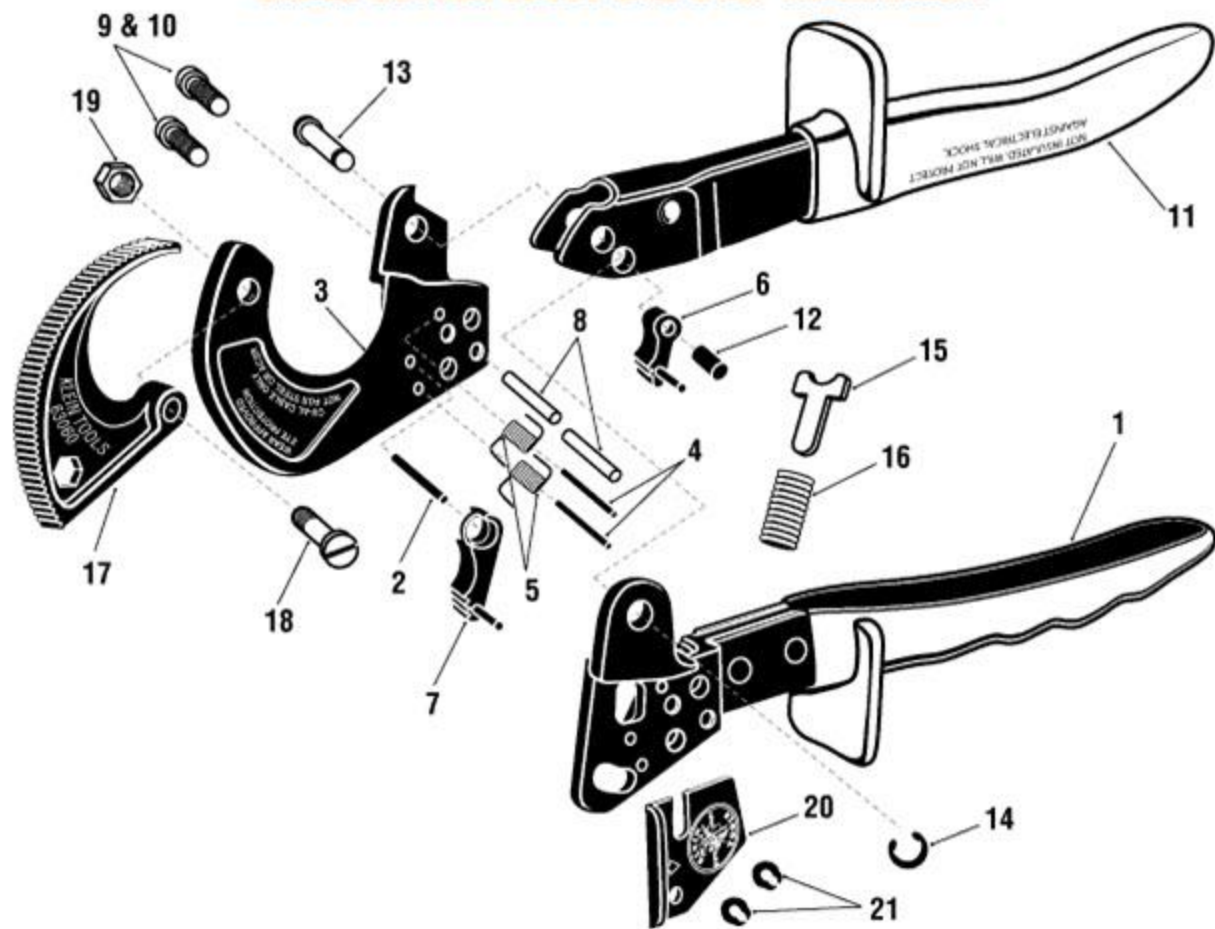


**REPLACEMENT PART KITS FOR RATCHETING  
CABLE CUTTER 63060 ONE-STEP MECHANISM**



| <b>Catalog No.</b> | <b>Replacement Part Kits</b>          | <b>Parts Breakout Illus. No.</b> |
|--------------------|---------------------------------------|----------------------------------|
| <b>63065</b>       | <b>Body Spring &amp; Guide Set</b>    |                                  |
|                    | Main body spring guide                | 15                               |
|                    | Main body spring                      | 16                               |
| <b>63364</b>       | <b>Moving Blade Set</b>               |                                  |
|                    | Moveable cutting blade                | 17                               |
|                    | Fulcrum cutter screw                  | 18                               |
|                    | lock nut for fulcrum cutter screw     | 19                               |
| <b>63365</b>       | <b>Fixed Blade Set</b>                |                                  |
|                    | Fixed cutting blade                   | 3                                |
|                    | Two grooved fasteners                 | 8                                |
|                    | Two hex socket screws                 | 9                                |
|                    | Moveable handle pivot pin             | 13                               |
|                    | Snap ring                             | 14                               |
| <b>63366</b>       | <b>Ratchet Pawl Set</b>               |                                  |
|                    | Grooved fastener for stopper pawl     | 2                                |
|                    | 2 Springs                             | 5                                |
|                    | Small ratchet pawl                    | 6                                |
|                    | Large ratchet pawl                    | 7                                |
|                    | Pivot cylinder for main ratchet pawl  | 12                               |
| <b>63367</b>       | <b>Moving Handle Set</b>              |                                  |
|                    | Moveable top handle assembly          | 11                               |
|                    | Pivot cylinder for main ratchet pawl  | 12                               |
|                    | Moveable handle pivot pin             | 13                               |
|                    | Snap ring                             | 14                               |
| <b>63368</b>       | <b>Fixed Handle Set</b>               |                                  |
|                    | Fixed bottom handle assembly          | 1                                |
|                    | Grooved fastener for stopper pawl     | 2                                |
|                    | Moveable handle pivot pin             | 13                               |
|                    | Snap ring                             | 14                               |
| <b>63369</b>       | <b>Ratchet Release Plate Set</b>      |                                  |
|                    | Two hex socket screws for fixed blade | 9                                |
|                    | Ratchet release plate                 | 20                               |
|                    | Slotted nut                           | 21                               |