

**String lights**



### Stringlights

**Ericson Manufacturing Company** engineers and produces a comprehensive range of molded stringlights for temporary lighting applications. These stringlights help you create a safer workplace and comply with the NEC and OSHA regulations. These are molded and assembled under factory-controlled conditions to assure they meet our rigid standards of quality. So whether your putting up a new office building, lighting a tunnel construction project, trying to light a cruise ship or manufacturing the next generation military vessel, Ericson has the temporary stringlight you need. In the following pages you will find Ericson's comprehensive stringlight offering including:

- Construct-O-Lite 2-wire jacketed molded stringlights
- E-Lite™ midrange/economy 3-wire PVC jacketed molded stringlights
- Heavy-Duty Industrial 3-wire rubber jacketed molded stringlights
- Easy to use charts and drawings simplify the selection/specification process making it quick and user friendly
- Technical reference information to assist in your selection

#### ***Construct-O-Lite® 2-Wire Light-Duty Molded Stringlights***

- UL and cUL listed
- Meets OSHA construction site requirements & NEC requirements
- Designed for applications that require rapid set-up/tear-down and an economy stringlight
- Available with SJTW or STW cord in 50 ft. and 100 ft. lengths

#### ***E-Lite™ Midrange/Economy 3-Wire Molded Stringlights***

- UL Listed and CSA Certified
- Meets OSHA construction site requirements & NEC requirements
- Designed for applications that require rapid set-up/tear-down and a 3-wire stringlight
- Available with non-conductive, snap-open cage guard or wire guard
- Units come standard with Extra-Hard-Usage STW cord in 50 ft. and 100 ft. lengths

#### ***Heavy-Duty Industrial 3-wire molded stringlights***

- UL Listed and CSA Certified
- Meet OSHA Construction Site Requirements
- Meets NEC requirements for temporary lighting
- Designed for demanding industrial applications
- Units come standard with Extra-Hard-Usage SEOW cord in 50 ft. and 100 ft. lengths

#### ***Custom Built Stringlights***

As always you can turn to Ericson Manufacturing Company to engineer a solution to your portable lighting application if you do not find a standard catalog item to fit your need. Contact the factory or your local sales representative to find out more.

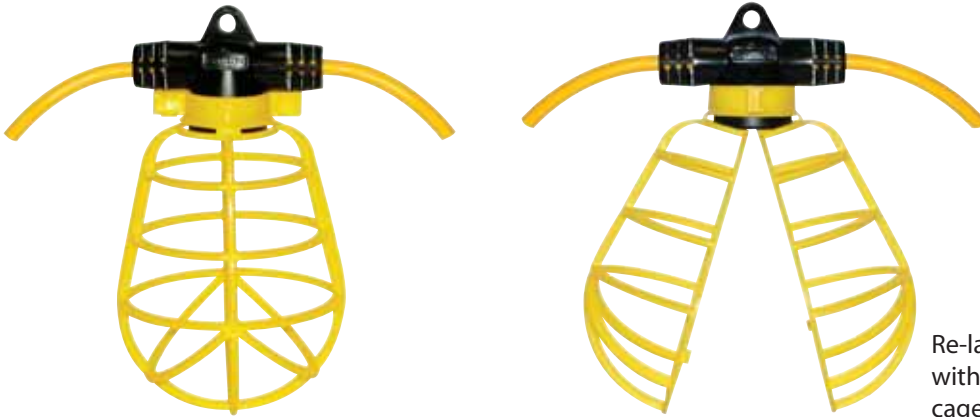
# Temporary Lighting

**Construct-O-Lite®**

## Construct-O-Lite® – 2-Wire Light-Duty Code Compliant Molded Stringlights

Comply with OSHA regulations and the NEC with these molded stringlights. No more open conductors that can be cut into by metal studs posing and extreme safety hazard. Several different models to choose from.

- Meets OSHA construction site requirements – 1926.405(a)(2)(ii)(E&F)
- Meets NEC requirements for temporary lighting – 525.21(B), 527.4(F), 527.4(H)
- Designed for applications that require rapid set-up/tear-down and an economy stringlight
- Full threaded screwshell to ensure proper contact
- Easy relamping with non-conductive, snap-open cage guard
- Built-in hanger for easy installation with messenger cable or hooks
- Standard models supplied with 15Amp, 2-wire straight-blade (NEMA 1-15) plug



Re-lamping is easy with the snap-open cage guard.

## Construct-O-Lite® Molded Stringlights Selection Guide

Standard products come with 9 ft. primary (lead) and 1 ft. secondary (tail)

	#14/2 AWG	
	14250	142100
Listings	UL	UL
<b>Specifications:</b>		
Electrical	120V/60Hz	1120V/60Hz
Overall Length	50 ft.	100 ft.
Cable gauge & type	14/2 SJTW	14/2 SJTW
Guard	04201 snap on lattice	04201 snap on lattice
Number of sockets	5	10
Socket spacing	10 ft. centers	10 ft. centers
Max watts per socket	200	150
Primary	NEMA 1-15 plug	NEMA 1-15 plug
Secondary	Blunt	Blunt

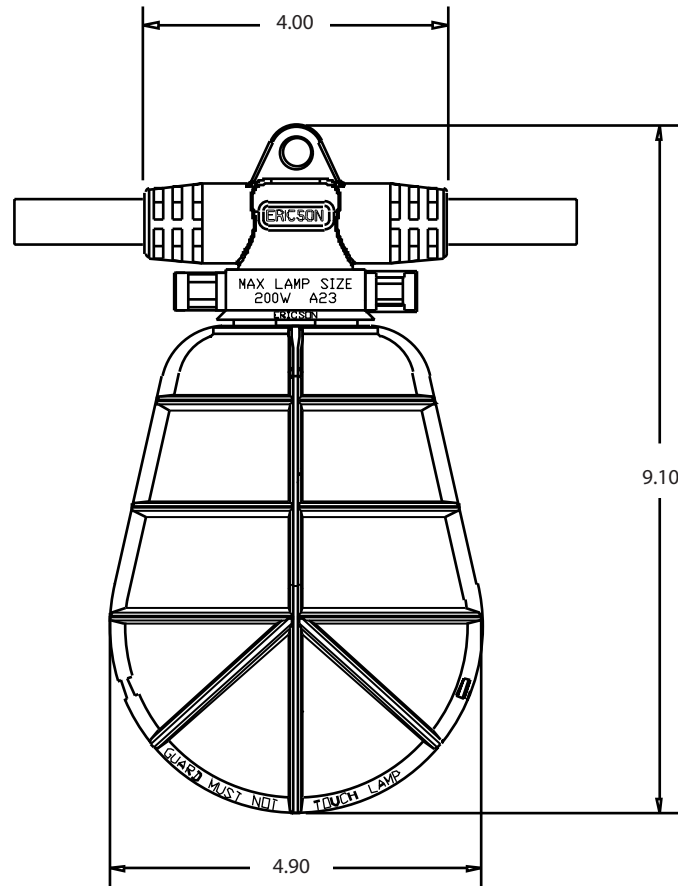
**NOTES:**

1. Add -NP to catalog number for stringlights with no plug
2. Contact factory for custom assemblies

# Temporary Lighting

Construct-O-Lite®

## Construct-O-Lite®



#12/2 AWG			
12250	12250STW	122100	122100STW
UL	cUL	UL	cUL
120V/60Hz	120V/60Hz	120V/60Hz	120V/60Hz
50 ft.	50 ft.	100 ft.	100 ft.
12/2 SJTW	12/2 STW	12/2 SJTW	12/2 STW
04201 snap on lattice	04201 snap on lattice	04201 snap on lattice	04201 snap on lattice
5	5	10	10
10 ft. centers	10 ft. centers	10 ft. centers	10 ft. centers
200	200	150	150
NEMA 1-15 plug	NEMA 1-15 plug	NEMA 1-15 plug	NEMA 1-15 plug
Blunt	Blunt	Blunt	Blunt

# Temporary Lighting

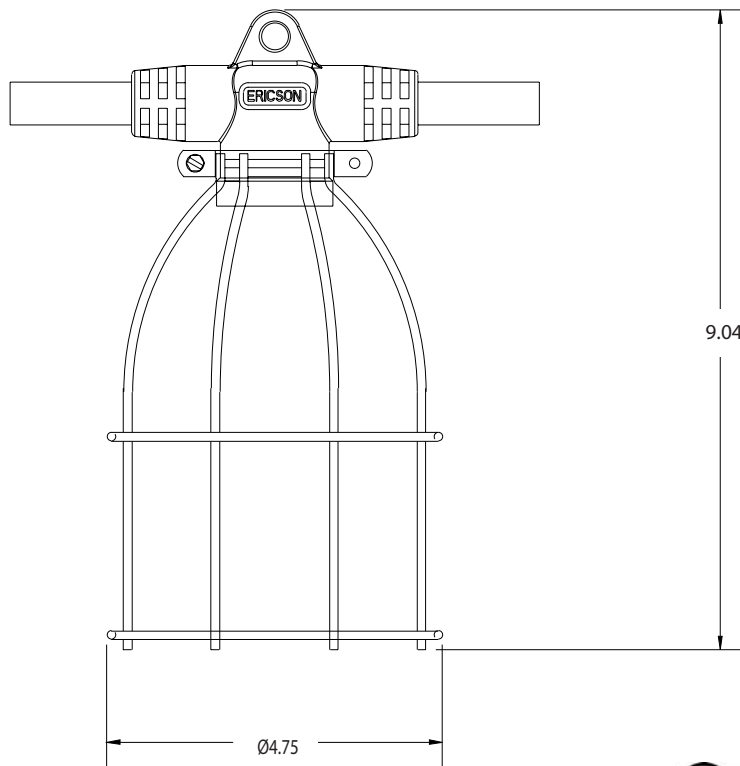
## 3-Wire Midrange/Economy Molded Stringlights

### E-Lite™ 3-Wire Economy Molded Stringlights

- Meets OSHA construction site requirements – 1926.405(a)(2)(ii)(E&F)
- Meets NEC requirements for temporary lighting – 525.21(B), 527.4(F), 527.4(H)
- Designed for applications that require rapid set-up/tear-down and a 3-wire stringlight
- Full threaded screwshell to ensure proper contact
- Available with non-conductive, snap-open cage guard or wire guard
- Built-in hanger for easy installation with messenger cable or hooks
- Units come standard with Extra-Hard-Usage ST cord in 50 ft. and 100 ft. lengths
- Stringlights come standard with Ericson's Perma-Grip™ plugs and connectors.



### E-Lite™ with 211 Wire Guard



# Temporary Lighting

## 3-Wire Midrange/Economy Molded Stringlights

### E-Lite™ 3-Wire Economy Molded Stringlights Selection Guide

Standard products come with 9 ft. primary (lead) and 1 ft. secondary (tail)

#### Stringlights with #12/3 STW Cable: Listed

	#12/3 STW w/ Plastic Lattice Guard			#12/3 STW w/ Wire Cage Guard		
50 ft. Overall Length	12350STWY-1L	12350STWY-2L	12350STWY-3L	12350STWY-1W	12350STWY-2W	12350STWY-3W
100 ft. Overall Length	123100STWY-1L	123100STWY-2L	123100STWY-3L	123100STWY-1W	123100STWY-2W	123100STWY-3W
<b>Specifications:</b>						
Electrical	120V/60Hz	120V/60Hz	120V/60Hz	120V/60Hz	120V/60Hz	120V/60Hz
Overall Length	see above	see above	see above	see above	see above	see above
Cable gauge & type	12/3 STW	12/3 STW	12/3 STW	12/3 STW	12/3 STW	12/3 STW
Guard	04201 snap on lattice	04201 snap on lattice	04201 snap on lattice	211 Wire guard	211 Wire guard	211 Wire guard
Number of sockets:						
50 ft. stringlights	5	5	5	5	5	5
100 ft. stringlights	10	10	10	10	10	10
Socket spacing	10 ft. centers	10 ft. centers	10 ft. centers	10 ft. centers	10 ft. centers	10 ft. centers
Max watts per socket:						
50 ft. stringlights	200	200	200	200	200	200
100 ft. stringlights	150	150	150	150	150	150
Plug	1510-PW6P (NEMA 5-15)	1520-PW6P (NEMA L5-15)	2310-PW6P (NEMA L5-20)	1510-PW6P (NEMA 5-15)	1520-PW6P (NEMA L5-15)	2310-PW (NEMA L5-20)
Connector	1610-CW6P (NEMA 5-15)	1620-CW6P (NEMA L5-15)	2410-CW6P (NEMA L5-20)	1610-CW6P (NEMA 5-15)	1620-CW6P (NEMA L5-15)	2410-CW6P (NEMA L5-20)

#### Stringlights with #14/3 STW Cable: Listed

	#14/3 STW w/ Plastic Lattice Guard		#14/3 STW w/ Wire Cage Guard	
50 ft. Overall Length	14350STWY-1L	14350STWY-2L	14350STWY-1W	14350STWY-2W
100 ft. Overall Length	143100STWY-1L	143100STWY-2L	143100STWY-1W	143100STWY-2W
<b>Specifications:</b>				
Electrical	120V/60Hz	120V/60Hz	120V/60Hz	120V/60Hz
Overall Length	see above	see above	see above	see above
Cable gauge & type	14/3 STW	14/3 STW	114/3 STW	14/3 STW
Guard	04201 snap on lattice	04201 snap on lattice	211 Wire guard	211 Wire guard
Number of sockets:				
50 ft. stringlights	5	5	5	5
100 ft. stringlights	10	10	10	10
Socket spacing	10 ft. centers	10 ft. centers	10 ft. centers	10 ft. centers
Max watts per socket:				
50 ft. stringlights	200	200	200	200
100 ft. stringlights	150	150	150	150
Plug	1510-PW6P (NEMA 5-15)	1520-PW6P (NEMA L5-15)	1510-PW6P (NEMA 5-15)	1520-PW6P (NEMA L5-15)
Connector	1610-CW6P (NEMA 5-15)	1620-CW6P (NEMA L5-15)	1610-CW6P (NEMA 5-15)	1620-CW6P (NEMA L5-15)

**NOTES:**

- Contact factory for custom assemblies

# Temporary Lighting

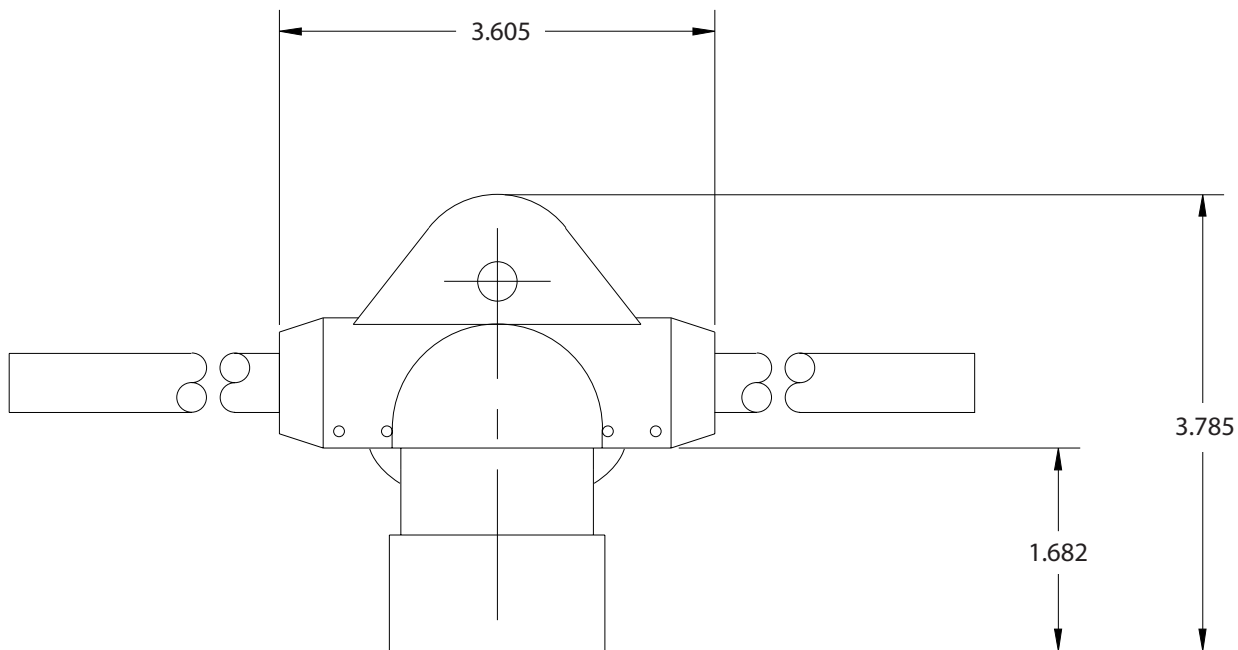
## 3-Wire Heavy Duty Molded Stringlights



### 3-Wire Heavy Duty Molded Stringlights

- UL Listed and CSA Certified
- Meets OSHA construction site requirements – 1926.405(a)(2)(ii)(E&F)
- Meets NEC requirements for temporary lighting – 525.21(B), 527.4(F), 527.4(H)
- Designed for demanding industrial applications
- Full threaded screwshell to ensure proper contact
- Available with non-conductive, rain-guard or wire guard
- Built-in hanger for easy installation with messenger cable or hooks
- Units come standard with Extra-Hard-Usage SEOW cord in 50 ft. and 100 ft. lengths
- Stringlights come standard with Ericson's Perma-Tite® plugs and connectors

### Navy Drops



# Temporary Lighting

## 3-Wire Heavy Duty Molded Stringlights

### Heavy-Duty Industrial 3-Wire Molded Stringlights Selection Guide

Standard products come with 9 ft. primary (lead) and 1 ft. secondary (tail)

Stringlights with #12/3 SEOW Cable:				Stringlights with #14/3 SEOW Cable:	
50 ft. Overall Length	12350Y-1	12350Y-2	12350Y-3	14350Y-1	14350Y-2
100 ft. Overall Length	123100Y-1	123100Y-2	123100Y-3	143100Y-1	143100Y-2
<b>Specifications:</b>					
Electrical	120V/60Hz	120V/60Hz	120V/60Hz	120V/60Hz	120V/60Hz
Overall Length	see above	see above	see above	see above	see above
Cable gauge & type	12/3 SEOW	12/3 SEOW	12/3 SEOW	14/3 SEOW	14/3 SEOW
Guard	see note 1	see note 1	see note 1	see note 1	see note 1
Number of sockets:					
50 ft. stringlights	5	5	5	5	5
100 ft. stringlights	10	10	10	10	10
Socket spacing	10 ft. centers	10 ft. centers	10 ft. centers	10 ft. centers	10 ft. centers
Max watts per socket:					
50 ft. stringlights	200	200	200	200	200
100 ft. stringlights	150	150	150	150	150
Plug	1510-PW (NEMA 5-15)	1520-PW (NEMA L5-15)	2310-PW (NEMA L5-20)	1510-PW (NEMA 5-15)	1520-PW (NEMA L5-15)
Connector	1610-CW (NEMA 5-15)	1620-CW (NEMA L5-15)	2410-PW (NEMA L5-20)	1610-CW (NEMA 5-15)	1620-CW (NEMA L5-15)

**NOTES:**

1. Order guards with 1-3/4" collar separately
2. Left-Hand Threaded Sockets - Add "-L" to catalog number: 123100Y-1 becomes 123100Y-1-L
3. Contact factory for custom assemblies



Heavy-duty string lights with #12/3 SEOW



Heavy-duty string lights with #14/3 SEOW

#### Drop with 211-P Guard



#### Drop with 214 Guard



Guards sold separately



# Temporary Lighting

## Lamp Guards for Stringlights

### Lamp Guards for Stringlights

- Heavy-Duty Rain-Guard®
- Meets OSHA requirements for temporary lighting: Temporary lights shall be equipped with guards to prevent accidental contact with bulb
- One-piece molded high-impact polycarbonate
- Prevents accidental contact with bulb
- Transparent to let light shine through while protecting bulb from jobsite debris and moisture
- Built-in vents dissipate heat and allow air-flow around bulb for cooling
- Matching polycarbonate end-cap available to provide complete bulb protection

Patented: Pat. No. 4180851



Collar Diameter	
Description	1-3/4"*
Guard Only	#214
Guard with end cap	#215
End cap only	#216

Length 6-5/8" Diameter 4 11/16"

\*When ordering Lamp Guards for Ericson molded stringlights, select guards with 1-3/4" diameter guardholder grooves.





**Accommodates up to 100 watt rough service lamps.**

### Heavy-Duty Wire Lamp Guards

- Heavy-duty plating provides maximum corrosion resistance
- Constructed of heavy-gauge steel
- Available with Vinyl coating

### Heavy Duty Wire Lamp Guards Selection Guide

Universal style plated or vinyl coated

Guard Style	#211	#220	#222	#224
Lamp Size	up to 150 watt A-23-RS or 200 watt A-23/Std.	150 watt PS25 or 200 watt PS30-RS	150 watt A-23/RS or 200 watt A-23/Std.	PAR-38 or R-4
				
Plated	#211	#220	#222-L	#224
Vinyl coated	#211-P	#220-P	#222-LP	#224-P
Collar Diameter*	1-3/4"*	1-3/4"*	1-3/4"*	1-3/4"*
Dimensions	Length 7" Diameter 4-3/4"	Length 10" Diameter 5"	Length 6-1/2" Diameter 4"	Length 7-1/2" Diameter 6-1/2"

**NOTES:**

1. For use with E-Lite™ Series stringlights & heavy-duty molded stringlights.

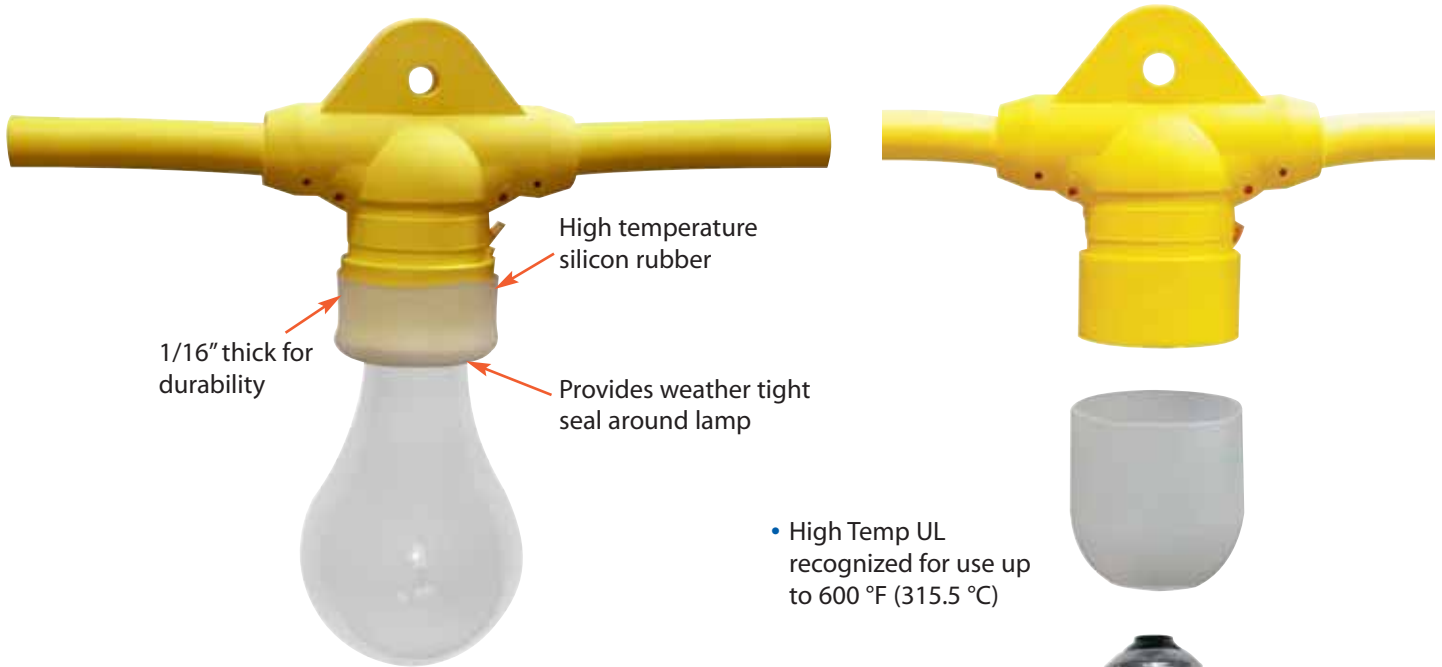
# Temporary Lighting

## String Lights Accessory

**NEW!**

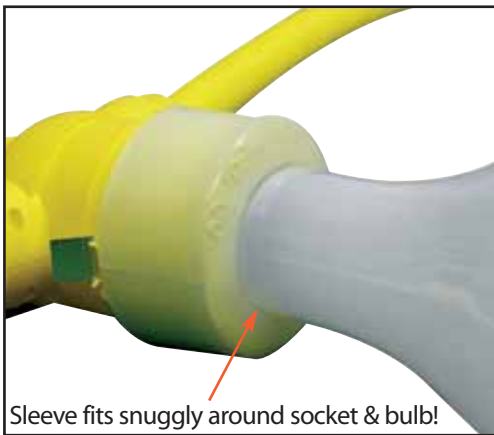
### Socket Sleeve

The Socket Sleeve adds an extra layer of environmental protection between the elements and the socket. It slips easily over the socket and seals tight around the lamp. The socket sleeve is available for the E-Lite and the heavy-duty industrial string lights.



- High Temp UL recognized for use up to 600 °F (315.5 °C)

- Can be used with Ericson's plated, vinyl-coated & plastic lattice guards. Not recommended for use with 214 RainGuard®
- Side cutouts provided for use with metal grounding tabs.



### Socket Sleeve Selection Guide

Description	Catalog Number	Qty
Socket Sleeve for use with E-Lite & Construct-O-Lite® string lights	SS-E-LITE	10/Bag
Socket Sleeve for use with heavy-duty string light	SS-HD	10/Bag

# Temporary Lighting

## Custom Assemblies Service

### Custom Assembly Service

For your convenience, we offer the most common stringlights with 10 ft. socket spacing in 50 and 100 ft. lengths. Unlike others however, we go beyond the normal service and offer you a full customized capability to provide you with the most functional stringlight assemblies that are designed to satisfy virtually any need.

We can install T-Drops on the stringlight assemblies to accommodate a wide variety of devices such as our Perma-Tite water and dust resistant connectors, outlet boxes, hand lamps (such as our Vapor-Gard vaporproof style) and many other devices that you might require. In addition, you can specify desired cord length, cord size, drop length and socket spacing.

Every custom assembly is completely tested and carries the same guarantees as our standard lighting systems.

- To receive a quote on your custom stringlight assembly, simply fill in the blanks on the following page & contact your local Ericson representative or the factory.



# Temporary Lighting

## Stringlight Assembly Configuration

### Stringlight Assembly Configurator

Overall Length: \_\_\_\_\_

Primary (Lead) Length: \_\_\_\_\_

Secondary (Tail) Length: \_\_\_\_\_

Plug (ex: 1510-PW6P): \_\_\_\_\_

Connector (ex: 1610-CW6P): \_\_\_\_\_

Cable Size/Type (ex: #12/5 SEO): \_\_\_\_\_

Total Number of Sockets: \_\_\_\_\_

Spacing between Sockets: \_\_\_\_\_

Lamp Guard Type (select from list below):

211	214	220	222-L	224
211-P		220-P	222-LP	224-P

Are T-Drops Required?  Yes  No

How Many \_\_\_\_\_

If Yes:

Length of T-Drop: \_\_\_\_\_

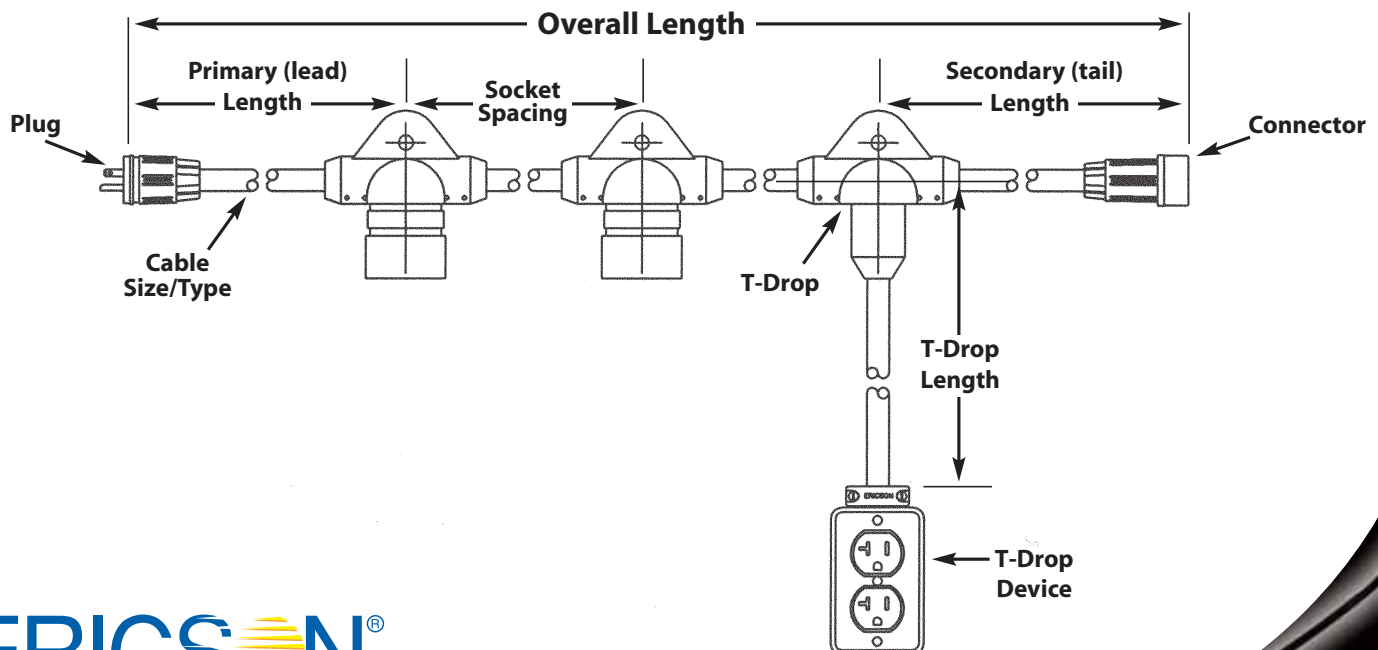
Cable Size/Type: \_\_\_\_\_

Device Required at End (ex: 1610-CW): \_\_\_\_\_

Other: \_\_\_\_\_

Other:

The drawing below is intended to serve as a reference tool to assist in the specification of your custom assembly.



# Temporary Lighting

## Code Related Issues

### Code Related Issues

#### 2002 National Electrical Code

#### 410-42 Luminaires (lighting fixtures), Lamp Holders & Lamps -Portable Hand Lamps

**(A) General.** Portable lamps shall be wired with flexible cord recognized by Section 400-4 and an attachment plug of the polarized or grounding type. Where used with Edison-base lampholders, the grounded conductor shall be identified and attached to the screw shell and the identified blade of the attachment plug.

**(B) Portable Handlamps.** In addition to the provisions of Section 410-42(a), portable handlamps shall comply with the following. (1) Metal shell, paper-lined lampholders shall not be used.

(2) Handlamps shall be equipped with a handle of molded composition or other insulating material.

(3) Handlamps shall be equipped with a substantial guard attached to the lampholder or handle.

(4) Metal guards shall be grounded by the means of an equipment grounding conductor run with circuit conductors within the power-supply cord.

(5) Portable handlamps shall not be required to be grounded where supplied through an isolating transformer with an ungrounded secondary of not over 50 volts.

**410-44 Cord Bushings.** A bushing or the equivalent shall be provided where flexible cord enters the base or stem of a portable lamp. The bushing shall be of insulating material unless a jacketed type of cord is used.

**410-49 Lampholders in Wet or Damp Locations.** Lampholders installed in wet or damp locations shall be of the weatherproof type.

### Article 525 – Carnivals, Circuses, Fairs, and Similar Events

#### Section 525-21(B) - Wiring Methods.

##### Portable Wiring Inside Tents & Concessions

(B) Portable Wiring Inside Tents and Concessions. Electrical wiring for lighting, where installed inside of tents and concessions, shall be securely installed and, where subject to physical damage, shall be provided with mechanical protection. All lamps for general illumination shall be protected from accidental breakage by a suitable fixture or lampholder with a guard.

### ARTICLE 527

#### Temporary Installations

##### 527.3 Time Constraints

**(A) During the Period of Construction.** Temporary electrical power and lighting installations shall be permitted during the period of construction, remodeling, maintenance, repair, or demolition of buildings, structures, equipment, or similar activities.

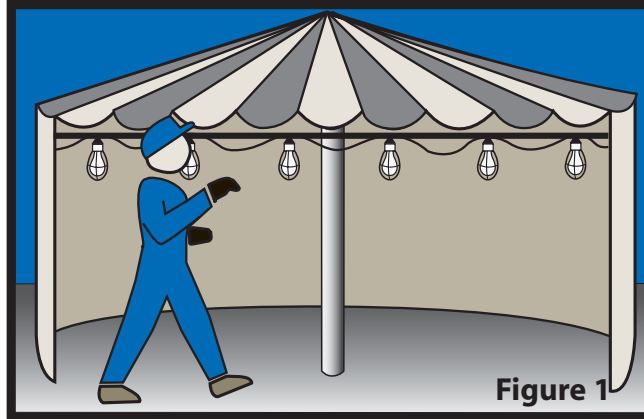
**(B) 90 Days.** Temporary electrical power and lighting installations shall be permitted for a period not to exceed 90 days for holiday decorative lighting and similar purposes.

##### 527.4 (F) General - Lamp Protection

Lamp Protection. All lamps for general illumination shall be protected from accidental contact or breakage by a suitable fixture or lampholder with a guard. Brass shell, paper-lined sockets, or other metal-cased sockets shall not be used unless the shell is grounded.

##### 527.4 (H) General - Protection From Accidental Damage

Protection from Accidental Damage. Flexible cords and cables shall be protected from accidental damage. Sharp corners and projections shall be avoided. Where passing through doorways or other pinch points, protection shall be provided to avoid damage.



### OSHA 1926.405 Safety & Health Regulations

**Wiring methods, components, and equipment for general use.**

**SubPart Number: K - Electrical - Installation Safety Requirements**

**(a)(2)(ii)(G)**

Portable electric lighting used in wet and/or other conductive locations, as for example, drums, tanks, and vessels, shall be operated at 12 volts or less. However, 120-volt lights may be used if protected by a ground-fault circuit interrupter.

**(a)(2)(ii)(E)**

All lamps for general illumination shall be protected from accidental contact or breakage. Metal-case sockets shall be grounded.

**(a)(2)(ii)(F)**

Temporary lights shall not be suspended by their electric cords unless cords and lights are designed for this means of suspension.

**(a)(2)(ii)(J)**

Extension cord sets used with portable electric tools and appliances shall be of three-wire type and shall be designed for hard or extra-hard usage. Flexible cords used with temporary and portable lights shall be designed for hard or extra-hard usage.

NOTE: The National Electrical Code, ANSI/NFPA 70, in Article 400, Table 400-4, lists various types of flexible cords, some of which are noted as being designed for hard or extra-hard usage. Examples of these types of flexible cords include hard service cord (types S, ST, SO, STO) and junior hard service cord (types SJ, SJO, SJT, SJTO).

**(j)(1)(iii)**

Portable lamps. Portable lamps shall be wired with flexible cord and an attachment plug of the polarized or grounding type. If the portable lamp uses an Edison-based lampholder, the grounded conductor shall be identified and attached to the screw shell and the identified blade of the attachment plug. In addition, portable handlamps shall comply with the following:

**j)(1)(iii)(A)**

Metal shell, paperlined lampholders shall not be used;

**(j)(1)(iii)(B)**

Handlamps shall be equipped with a handle of molded composition or other insulating material;

**(j)(1)(iii)(C)**

Handlamps shall be equipped with a substantial guard attached to the lampholder or handle;

**(j)(1)(iii)(D)**

Metallic guards shall be grounded by the means of an equipment grounding conductor run within the power supply cord.

**(j)(1)(iv)**

Lampholders. Lampholders of the screw-shell type shall be installed for use as lampholders only. Lampholders installed in wet or damp locations shall be of the weatherproof type...1926.405(j)(1)(v)

**(j)(1)(v)**

Fixtures. Fixtures installed in wet or damp locations shall be identified for the purpose and shall be installed so that water cannot enter or accumulate in wireways, lampholders, or other electrical parts.

### OSHA 1926.403 Safety & Health Regulations

**General requirements.**

**SubPart Number: K - Electrical - Installation Safety Requirements**

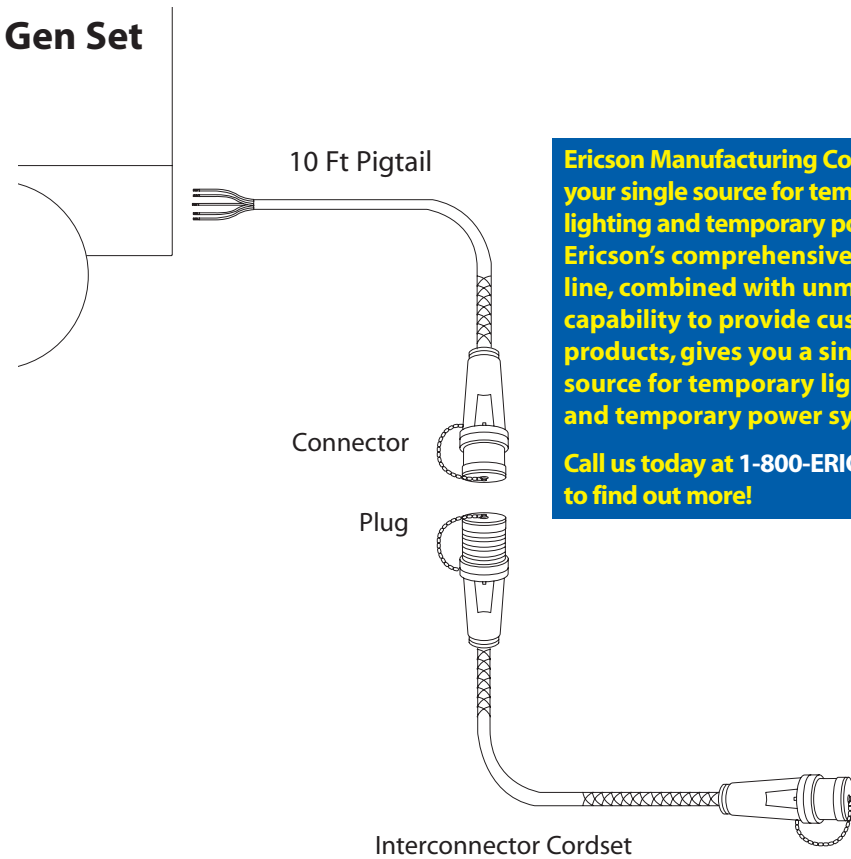
**1926.403(g)**

Marking. Electrical equipment shall not be used unless the manufacturer's name, trademark, or other descriptive marking by which the organization responsible for the product may be identified is placed on the equipment and unless other markings are provided giving voltage, current, wattage, or other ratings as necessary. The marking shall be of sufficient durability to withstand the environment involved.

# Temporary Lighting

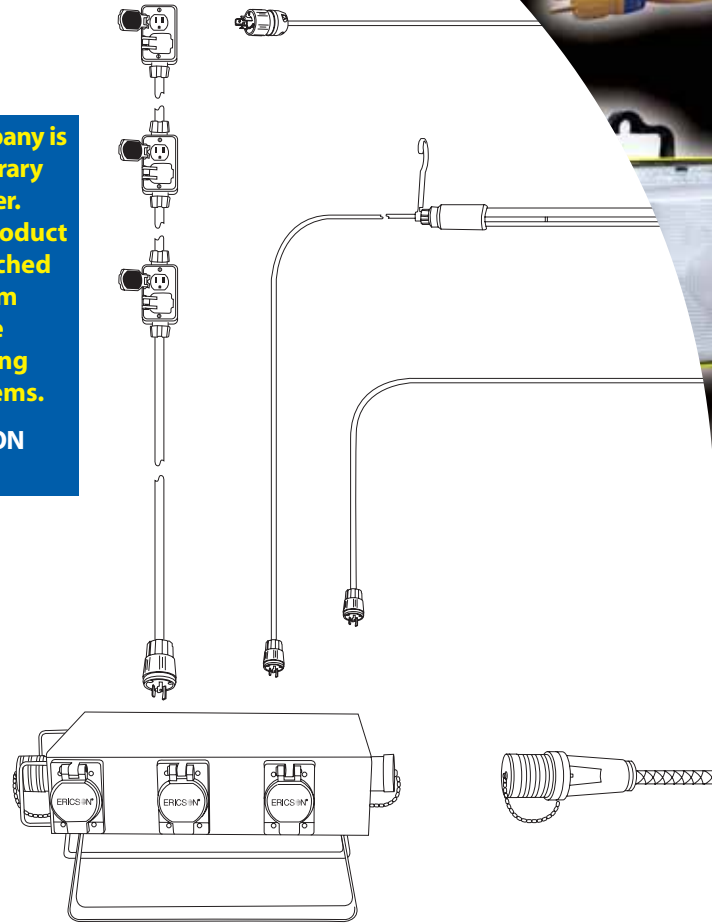
Systems Solutions by Ericson

Gen Set

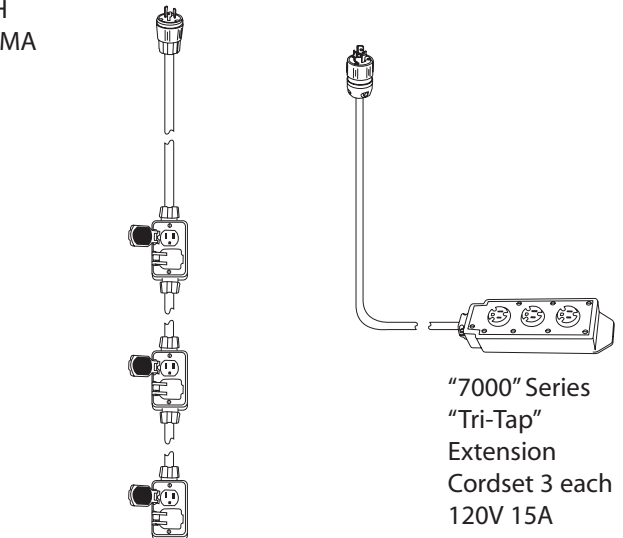


Ericson Manufacturing Company is your single source for temporary lighting and temporary power. Ericson's comprehensive product line, combined with unmatched capability to provide custom products, gives you a single source for temporary lighting and temporary power systems.

Call us today at 1-800-ERICSON to find out more!



Power distribution Box #1 120/208 3PH  
60A Input Outputs: 2 Each 120/20A NEMA  
5-20R or Twistlock L5-20R All Circuit  
Breaker Protected With 60A Feed  
Through to Box #2

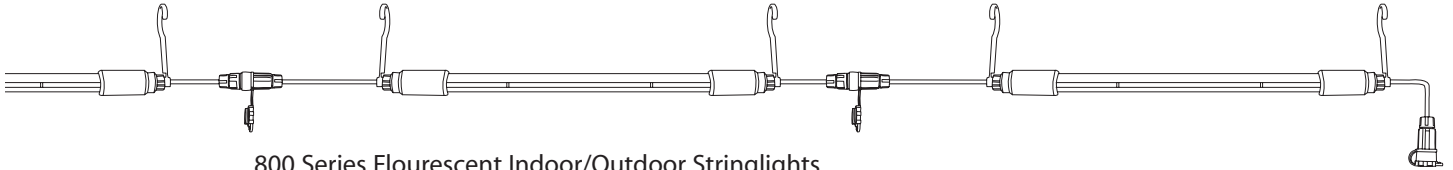
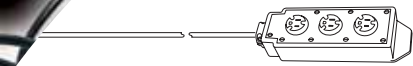


"6050" 120/208V 3PH  
Stringer each box operates  
from 1 phase providing 20A  
per phase at each box

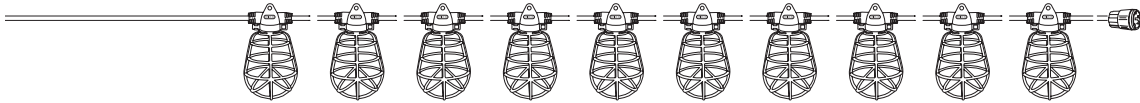
"7000" Series  
"Tri-Tap"  
Extension  
Cordset 3 each  
120V 15A

# Temporary Lighting

Systems Solutions by Ericson

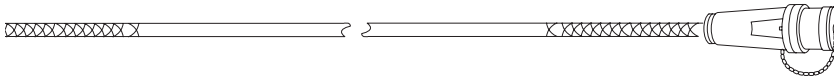


800 Series Fluorescent Indoor/Outdoor Stringlights

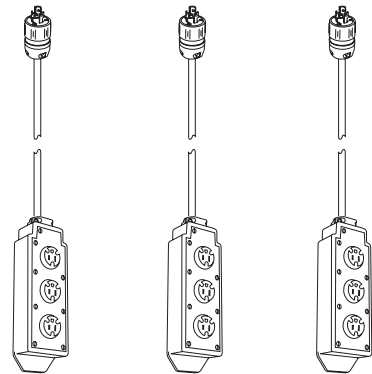
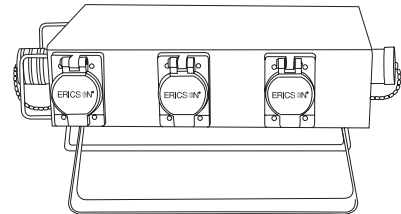


50/100 Ft Indoor/In-Tent Stringlights

Power Distribution Box #2 120/208 3Ph  
20A NEMA 5-20R Outputs: 6 Each 120V  
1PH 20A NEMA 5-20R Twistlock L5-20R  
All Circuit Breaker Protected



Interconnection Cordset



"7000" Extension #1  
3 each 120V 15A