

## Control Series: Twist Latch Hinged Cover

### APPLICATION

- Designed to insulate and house electrical and electronic controls, instruments or components for indoor and outdoor applications
- Especially well suited for high temperature or corrosive environments
- Protects from dirt, dust, oil and water

### STANDARDS

- UL Types 1, 2, 3, 4, 4X, 12, and 13
- CSA Types 1, 2, 3, 3R, 4, 4X, 12 and 13
- NEMA Types 1, 2, 3, 3R, 4, 4X, 12 and 13
- IEC 60529 Type IP66
- Compliant with RoHS directive (Restriction of Hazardous Substances)

### CONSTRUCTION

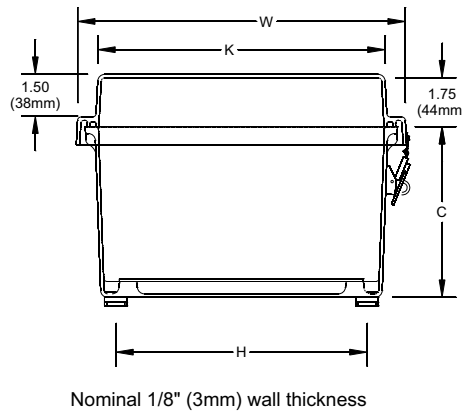
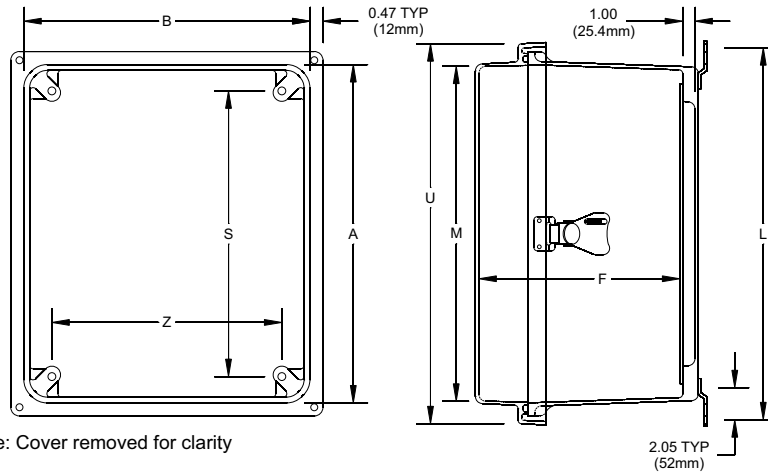
- Strong, molded Ultraguard® fiberglass reinforced polyester material construction with matching raised cover
- Full panel access
- All usable panel space
- 300 series stainless steel twist latches feature padlock hasp
- Two 300 series stainless steel hinges
- Closed-cell neoprene gasket encased in a continuous channel
- 300 series stainless steel wall mounting feet with 3/8-16 stainless steel screws included
- 3/8-16 threaded inserts are installed for optional back panel
- Ultraguard® fiberglass material is easily punched, drilled or sawed
- UV stabilized for outdoor use

### ACCESSORIES

- Optional back panels (See table on pages 100-101.)
- Optional hinged front panel (See table on page 102.)
- Optional thermal management products (See pages 103-104.)

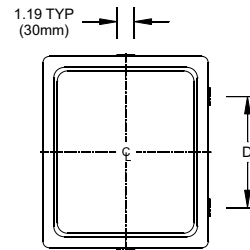
### MODIFICATIONS

- Custom size holes and cutouts
- Custom size polycarbonate viewing windows
- Molded-in color matches
- EMI/RFI shielding
- Factory-supplied silk screening



**LATCH LOCATIONS**

- For use on:
- 24x20x8 D=16.00 (406mm)
  - 24x20x10 D=16.00 (406mm)
  - 24x24x8 D=16.00 (406mm)
  - 24x24x10 D=16.00 (406mm)
  - 30x24x8 D=19.98 (507mm)
  - 30x24x10 D=19.98 (507mm)



Part No.	Box Size			Usable Depth F	Panel Boss Centers		Panel Sizes		Foot Mount Centers		Cover Size			
	A	B	C		S	Z	Height	Width	H	L	K	M	U	W
AM24208RT	24.00 610mm	20.00 508mm	8.13 207mm	8.56 217mm	19.25 489mm	15.25 387mm	21.00 533mm	17.00 432mm	18.75 476mm	26.85 682mm	20.16 512mm	24.16 614mm	25.59 650mm	21.59 548mm
AM24248RT	24.00 610mm	24.00 610mm	8.13 207mm	8.56 217mm	19.25 489mm	19.25 489mm	21.00 533mm	21.00 533mm	22.75 578mm	26.85 682mm	24.16 614mm	24.16 614mm	25.59 650mm	25.59 650mm
AM30248RT	30.00 762mm	24.00 610mm	8.13 207mm	8.56 217mm	25.25 641mm	19.25 489mm	27.00 686mm	21.00 533mm	22.75 578mm	32.85 834mm	24.16 614mm	30.16 766mm	31.59 802mm	25.59 650mm
AM24200RT	24.00 610mm	20.00 508mm	10.13 257mm	10.56 268mm	19.25 489mm	15.25 387mm	21.00 533mm	17.00 432mm	18.75 476mm	26.85 682mm	20.16 512mm	24.16 614mm	25.59 650mm	21.59 548mm
AM24240RT	24.00 610mm	24.00 610mm	10.13 257mm	10.56 268mm	19.25 489mm	19.25 489mm	21.00 533mm	21.00 533mm	22.75 578mm	26.85 682mm	24.16 614mm	24.16 614mm	25.59 650mm	25.59 650mm
AM30240RT	30.00 762mm	24.00 610mm	10.13 257mm	10.56 268mm	25.25 641mm	19.25 489mm	27.00 686mm	21.00 533mm	22.75 578mm	32.85 834mm	24.16 614mm	30.16 766mm	31.59 802mm	25.59 650mm

All dimensions are in inches unless otherwise noted.



Order Today: 419-636-4217, Fax: 419-636-2450, e-mail: sales@alliedmoulded.com